
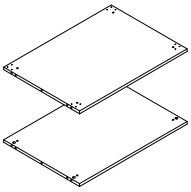
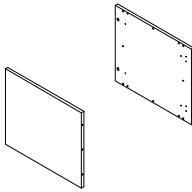
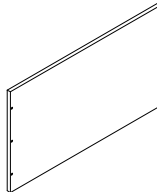
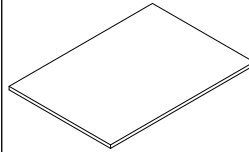

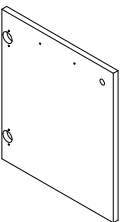
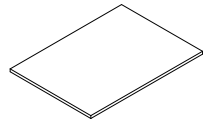



Ferramenta Hardware	Componenti Components								
Serratura (H) 	Lock (H) n°1		Base e cappello (A) Base and top (A)		Fianco DX-SX (B) R-L side (B)		Retro (C) Back panel (C)		Ripiano (D) Shelf (D)
Reggipiano (J) 	Shelf support (J) n°4		Ante (E) Doors (E)				Top (G)		
Maniglie (I) 	Handles (I) n°5			Top (G)					

Bariotto 14x14 (L) 	Barrel 14x14 (L) n°24	Cerniera (X) 	Hinge (X) n°4
Grano 8x8 (M) 	Threaded screw 8x8 (M) n°24	Basetta (Y) 	Hinge base (Y) n°4
Tirante 7x33 (N) 	Tie-rod 7x33 (N) n°24	Chiave esagonale 	Hexagonal key n°1
Spina 8x30 (O) 	Wooden pin 8x30 (O) n°28		
Bullone 4x25 (P) 	Bolt 4x25 (P) n°10		
Ruote (Q) 	Castors (Q) n°6		
Bullone 6x30 (Z) 	Bolt 6x30 (Z) n°4		
Vite (W) 	Screw (W) n°10		

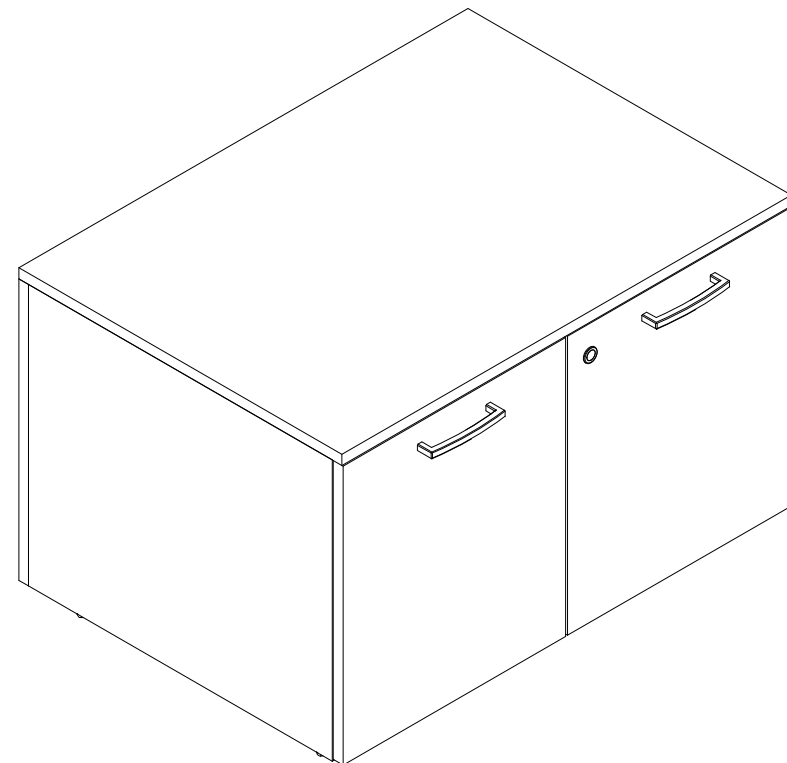
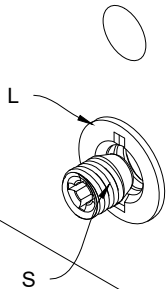


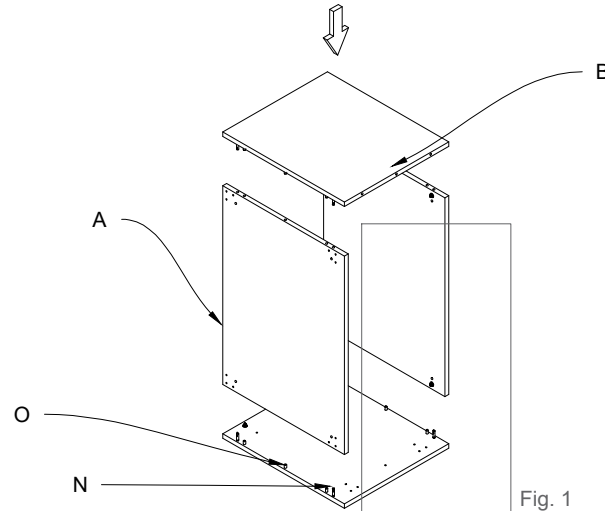
Fig.1 Serraggio dei grani (M) nei barilotti (L)

Fig.1 Tighten the threaded screws (M) in the barrels (L)



1) Poggiando un fianco (B) a terra, fissare base (A), cappello (A) e l'altro fianco (B) tramite le spine (O) e i tiranti (N)

1) Rotate the chest of drawers on one side (B), fasten the base (A), top (A) and the other side (B) by means of the wooden pins (O) and tie-rods (N)



2) Inserire le ruote (Q) e il retro (C) tramite le spine (O) e i tiranti (N)

2) Insert the castors (Q) and back panel (C) by means of the wooden pins (O) and tie-rods (N)

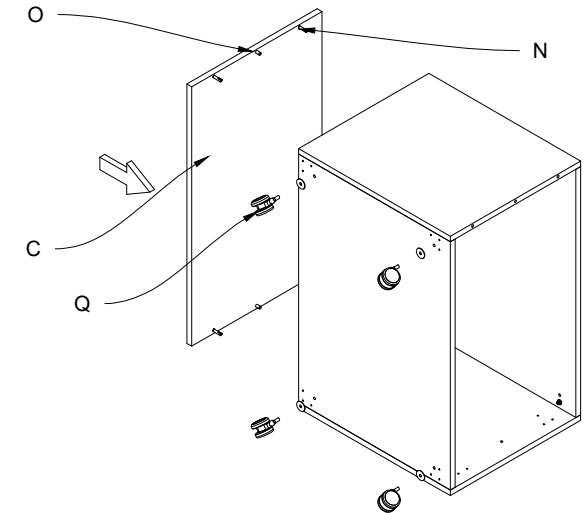
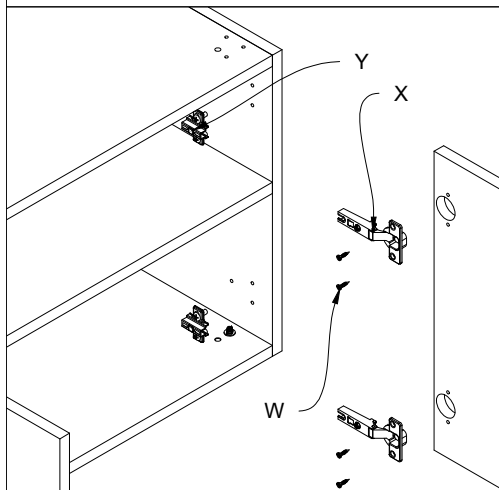


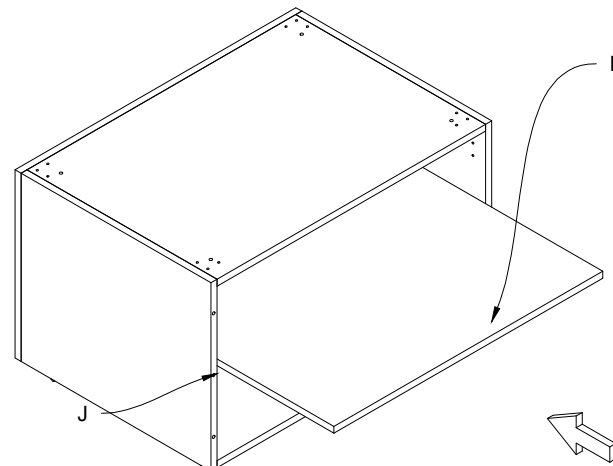
Fig.2 Inserimento delle basette (Y) e delle cerniere (X) tramite le viti (W)

Fig.2 Insert the hinge bases (Y) and hinges (X) by means of the screws (W)



3) Inserire il ripiano (D) nella cassa tramite i reggipiani (J).

3) Insert the shelf (D) in the box by means of the shelf supports (J)



4) Inserire l'anta (E) tramite le basette (Y), le cerniere (X) e le viti (W)

4) Insert the door (E) by means of hinge bases (Y), hinges (X) and screws (W)

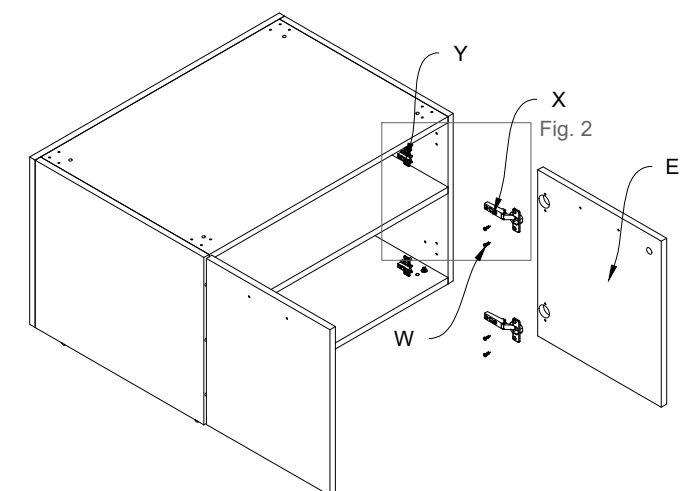
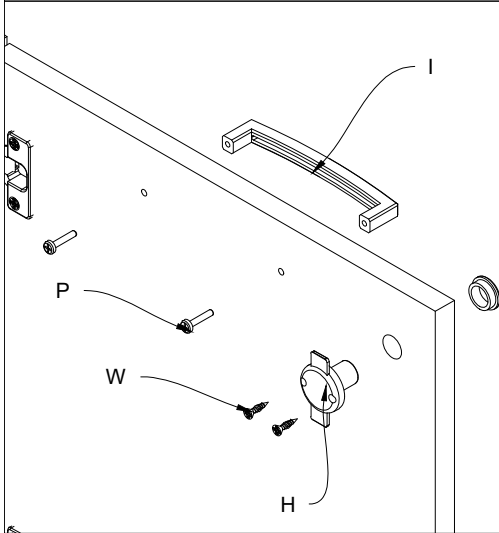


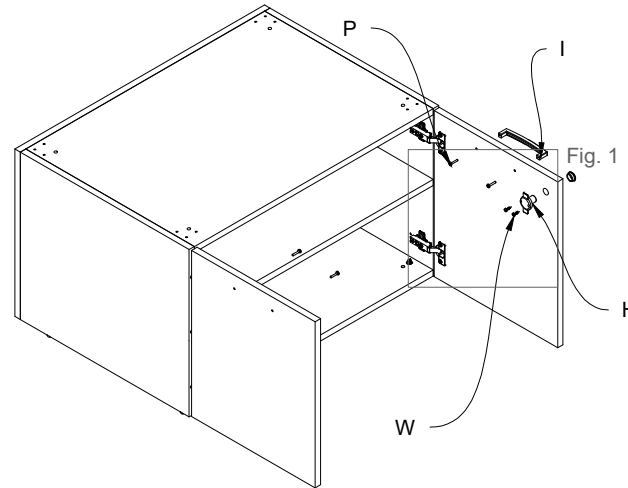
Fig.1 Inserimento della maniglia (I) e della serratura (H) tramite viti (W) e bulloni (P)

Fig.1 Insert the handle (I) and lock (H) by means of the screws (W) and bolts (P)



5) Inserire la maniglia (I) e la serratura (H) tramite le viti (W) e i bulloni (P)

5) Insert the handle (I) and lock (H) by means of the screws (W) and bolts (P)



6) Inserire il top (G) con le viti (Z) forandolo secondo l'esigenze utilizzando l'apposita preforatura

6) Fasten the top (G) by means of the screws (Z), use the pre-drilled holes

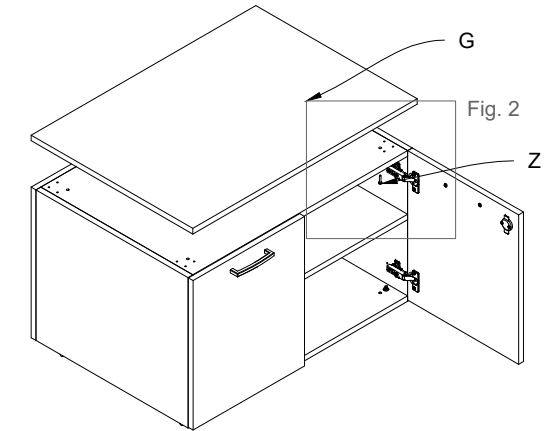


Fig.2 Unire il top (G) con il modulo tramite i bulloni (Z).

Fig.2 Unite the top (G) to the unit by means of the bolts (Z)

