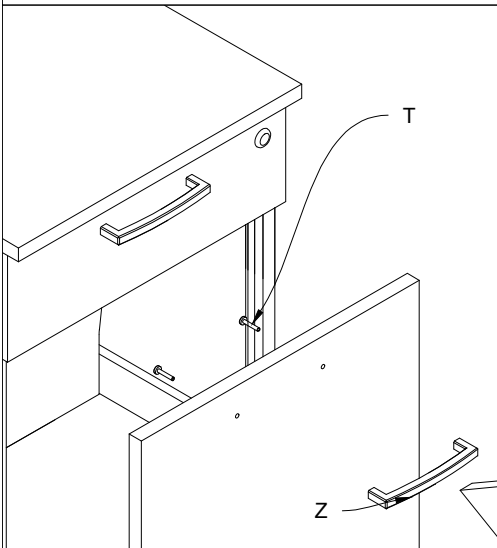
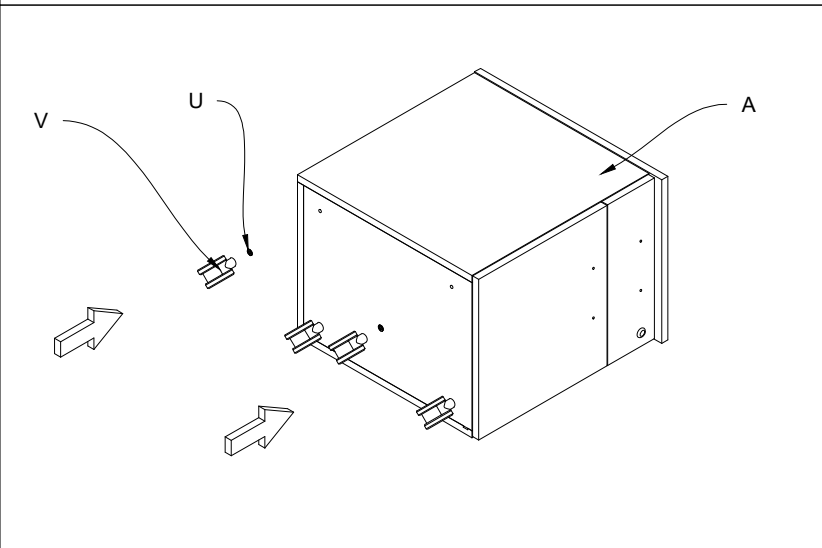


Fig.1 agganciare le maniglie alla cassettera (A) tramite i bulloni (T)
Fig.1 Fasten the handles to the chest of drawers (A) by means of the bolts (T)



1) Ruotare la cassettera (A) in modo che si possano inserire le ruote (V) con la rondella (U) nella base negli appositi fori
1) Rotate the chest of drawers (A), insert the castors (V) by means of the washer (U) in the designated holes of the base



2) Inserire le maniglie (Z) nei frontali della cassettera tramite i bulloni (T)
2) Insert the handles (Z) in the fronts of the chest of drawers by means of the bolts (T)

