



Rev. 00

Emissione Issuance

Data Date  
03/12/2020

Approvazione Approval

# Schema di montaggio Assembly diagram

U.0152 125x1.8x35 U.0154 125x4.5x35  
U.0153 165x1.8x35 U.0155 165x4.5x35

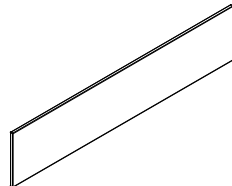
Ferramenta Componenti

Hardware Components

Viti (Z) Screw (Z)



n°8



Schermo  
fonoassorbente  
(A)  
Sound  
absorbing  
screen(A)



Staffe (B)  
"L" shaped  
brackets (B)

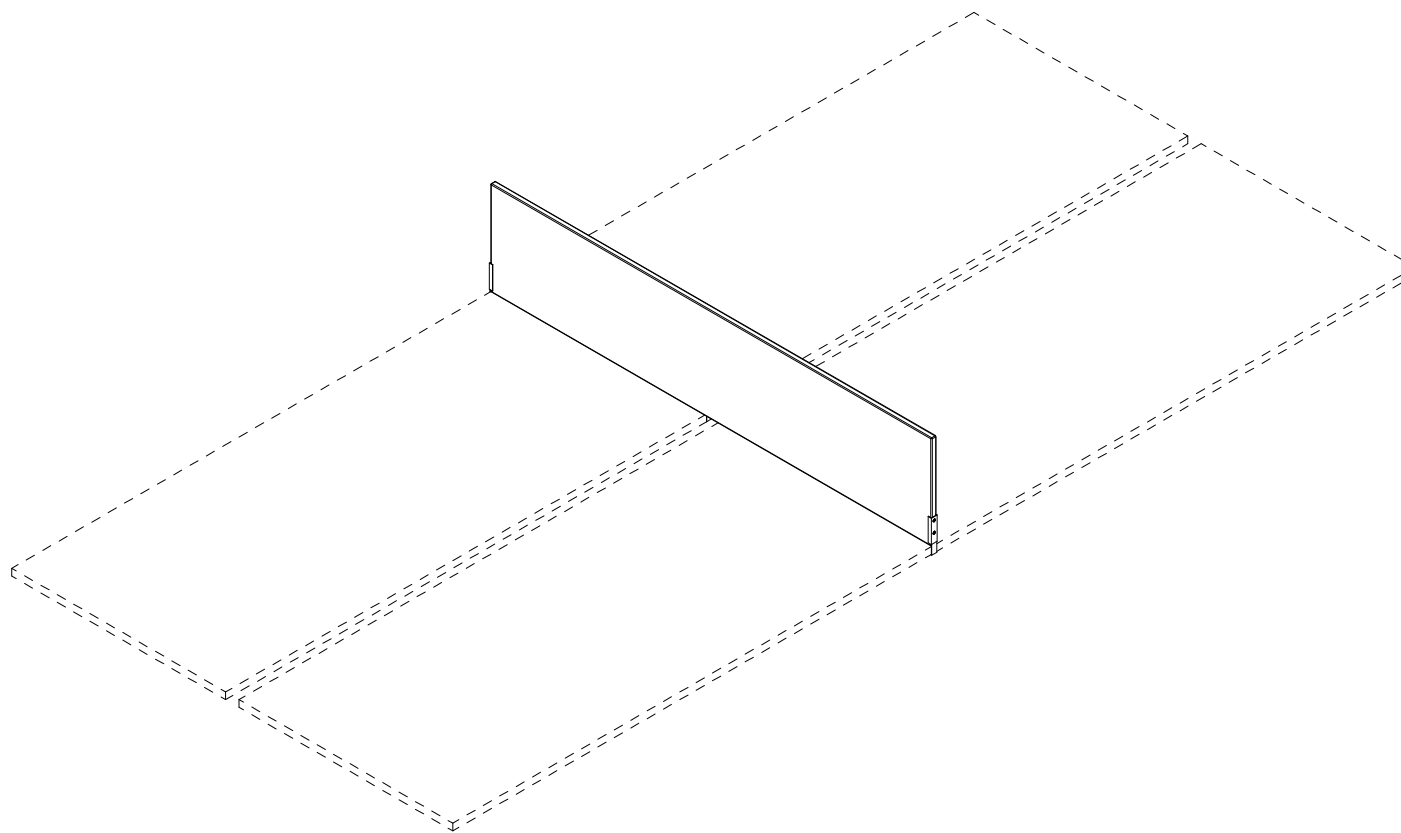


Fig.1 Unione delle staffe (B) allo schermo (A) tramite le viti (Z).

Fig.1 Unite the "L" shaped brackets (B) to the screen (A) by means of the screws (Z).

1) Inserire le staffe (B) nello schermo (A).

1) Insert the "L" shaped brackets (B) in the screen (A).

2) Inserire lo schermo (A) tra i due piani bench tramite le staffe (B).

2) Insert the screen (A) between the two bench tops by means of the "L" shaped brackets (B).

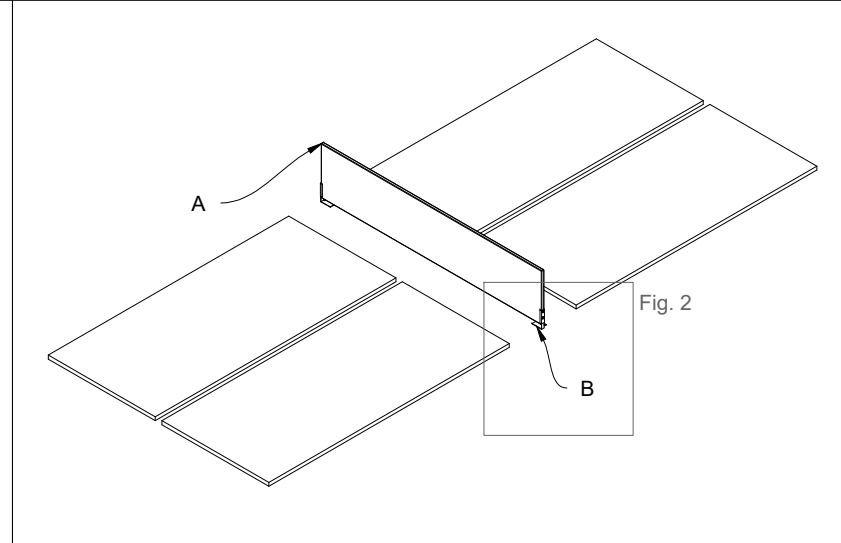
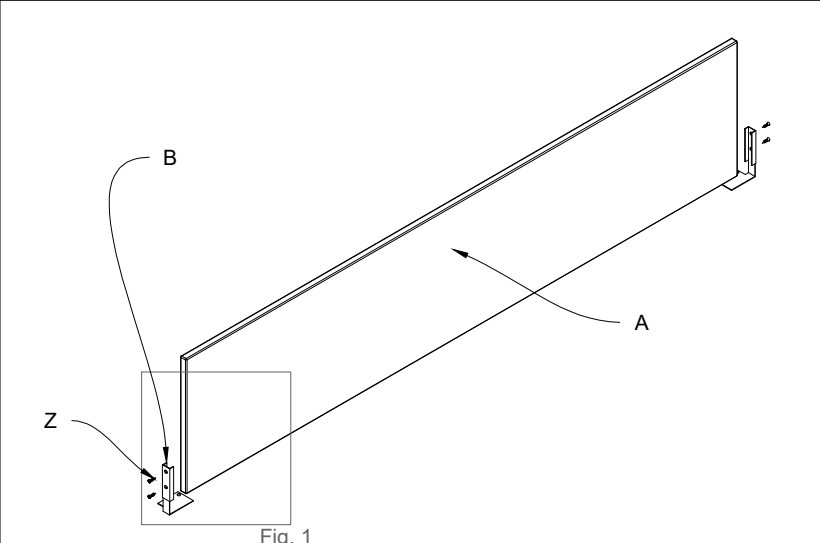
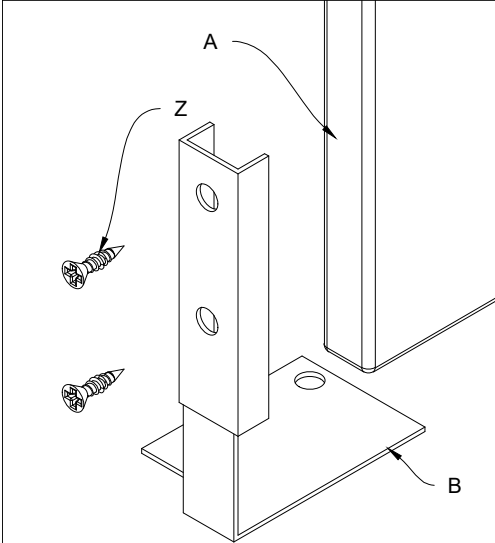


Fig.2 Unione la staffa (B) al piano tramite le viti (Z).

Fig.2 Unite the "L" shaped bracket (B) to the top by means of the screws (Z).

