



Rev. 00

Emissione Issuance

Data Date
03/12/2020

Approvazione Approval

Schema di montaggio Assembly diagram

U.0150 125x1.8x35
U.0151 165x1.8x35

Ferramenta Componenti

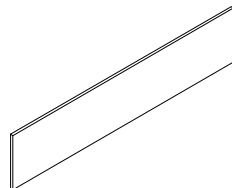
Hardware Components

Viti (Z)

Screw (Z)



n°8



Schermo in melaminico (A)
Melamine screen (A)



Staffe (B)
"L" shaped brackets (B)

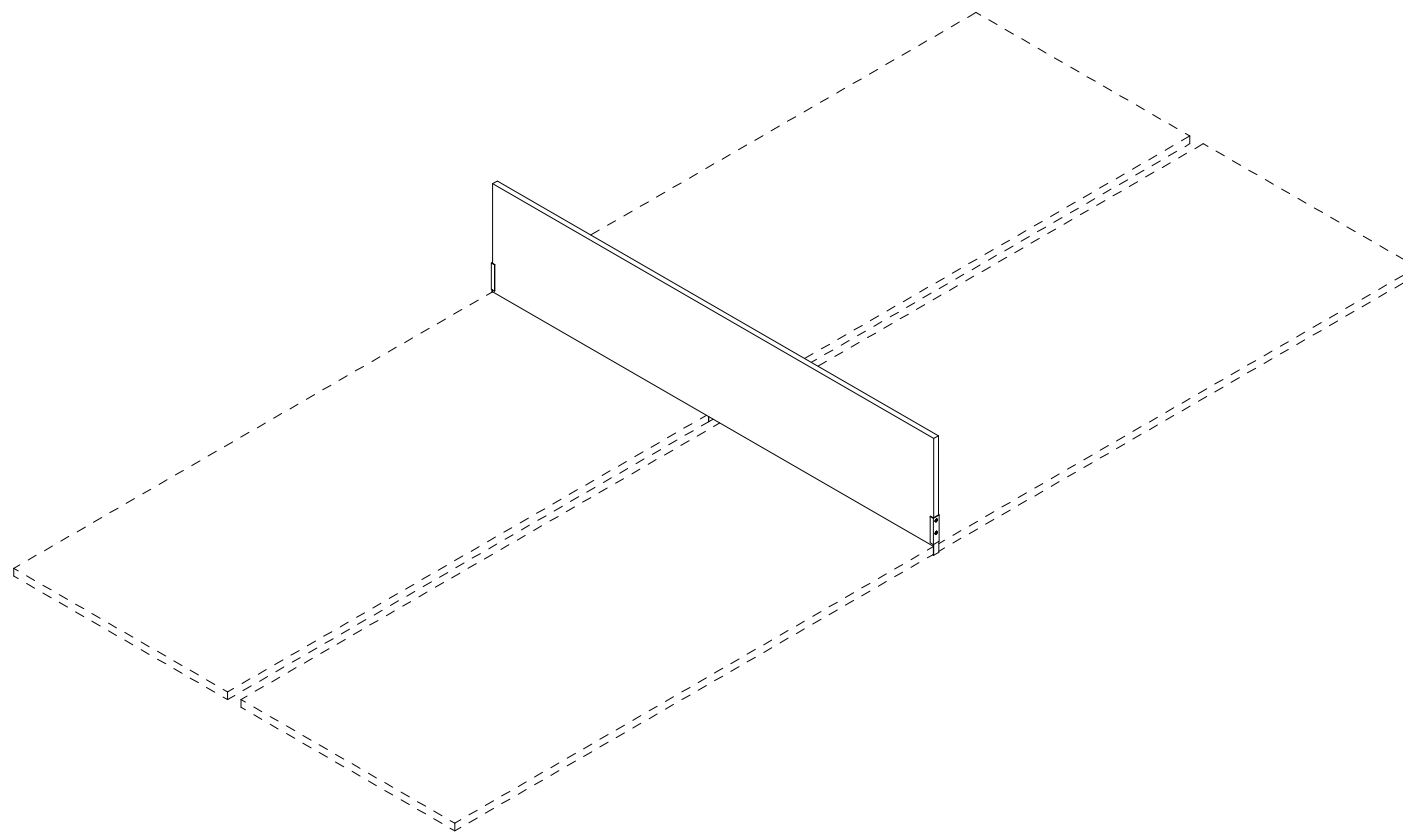
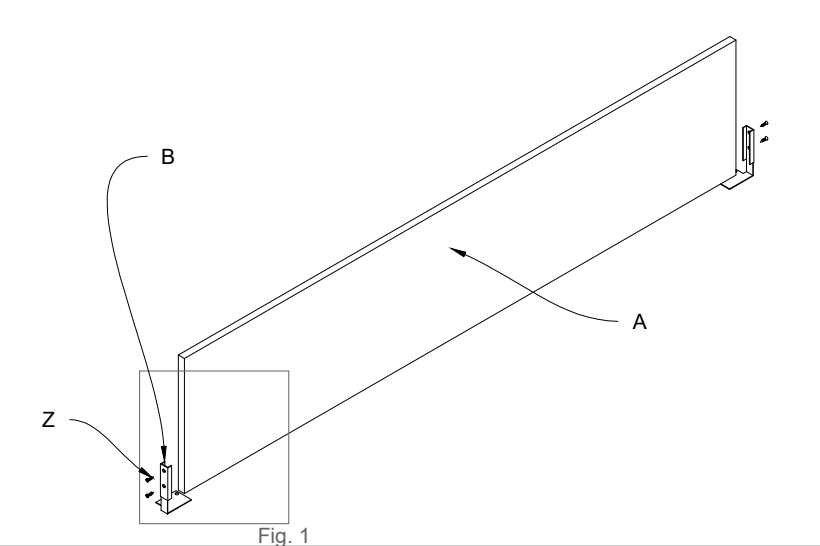
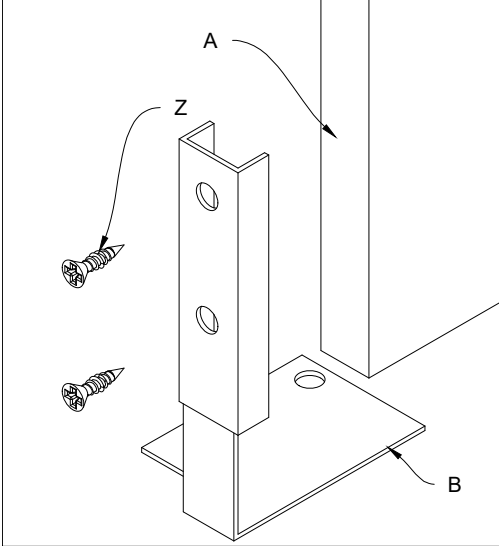


Fig.1 Unione delle staffe (B) allo schermo (A) tramite le viti (Z).
 Fig.1 Unite the "L" shaped brackets (B) to the screen (A) by means of the screws (Z).

1) Inserire le staffe (B) nello schermo (A).
 1) Insert the "L" shaped brackets (B) in the screen (A).



2) Inserire lo schermo (A) tra i due piani bench tramite le staffe (B).
 2) Insert the screen (A) between the two bench tops by means of the "L" shaped brackets (B).

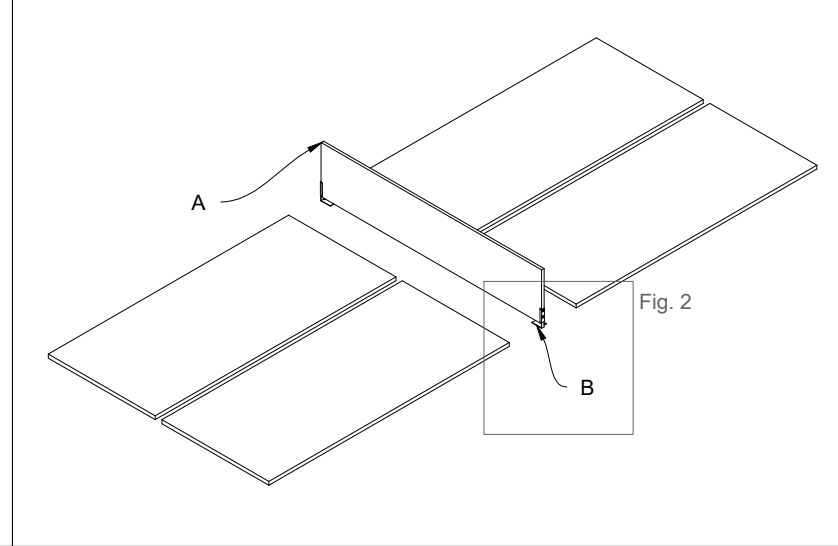


Fig.2 Unione la staffa (B) al piano tramite le viti (Z).
 Fig.2 Unite the "L" shaped bracket (B) to the top by means of the screws (Z).

