



Rev. **00**
 Data Date
 03/12/2020

Emissione Issuance
 Approvazione Approval

Schema di montaggio Assembly diagram

U.0072 72x1.8x35-50 U.0075 132x1.8x35-50
 U.0073 92x1.8x35-50 U.0076 142x1.8x35-50
 U.0074 112x1.8x35-50 U.0077 172x1.8x35-50

Ferramenta Hardware	Componenti Components		Piano (A) Top (A)		Staffe (B) L shaped brackets (B)		Schermo Fonoassorbente (C) Sound absorbing screen (C)		
Bullone da 6x16 (Z) 	Bolt 6x16 (Z) n°8								
Chiave esagonale 	Hexagonal key n°1								

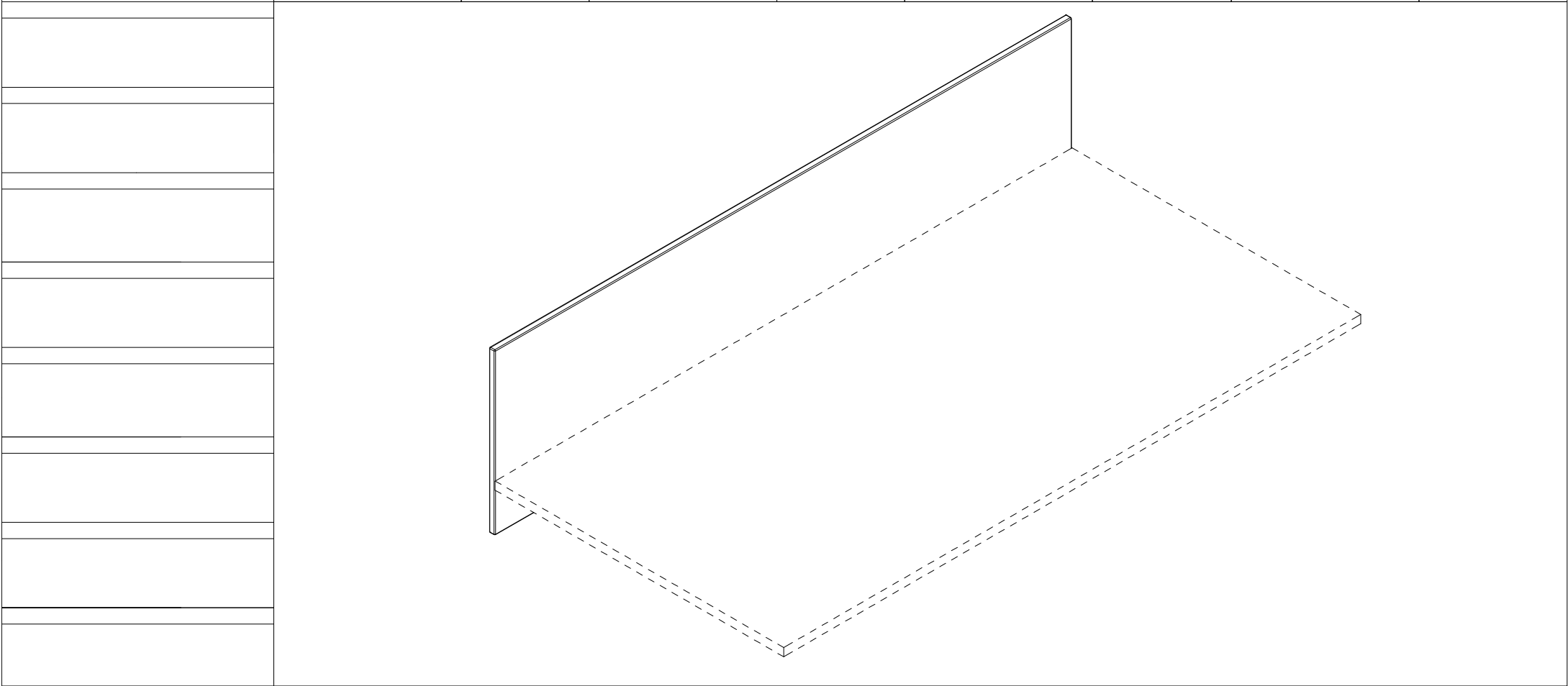


Fig.1 Unire le staffe (B) al piano (A) tramite i bulloni (Z)

Fig.1 Fasten the L shaped brackets (B) to the top (A) by means of the bolts (Z)

1) Inserire le staffe (B) nel piano (A) ed inserire i bulloni (Z) attraverso gli appositi fori

1) Insert the L shaped brackets (B) in the top (A), insert the bolts (Z) in the pre-drilled holes

2) Inserire le staffe (B) nello schermo fonoassorbente (C) ed inserire i bulloni (Z) attraverso gli appositi fori.

2) Insert the L shaped brackets (B) in the sound absorbing screen (C), insert the bolts (Z) in the pre-drilled holes

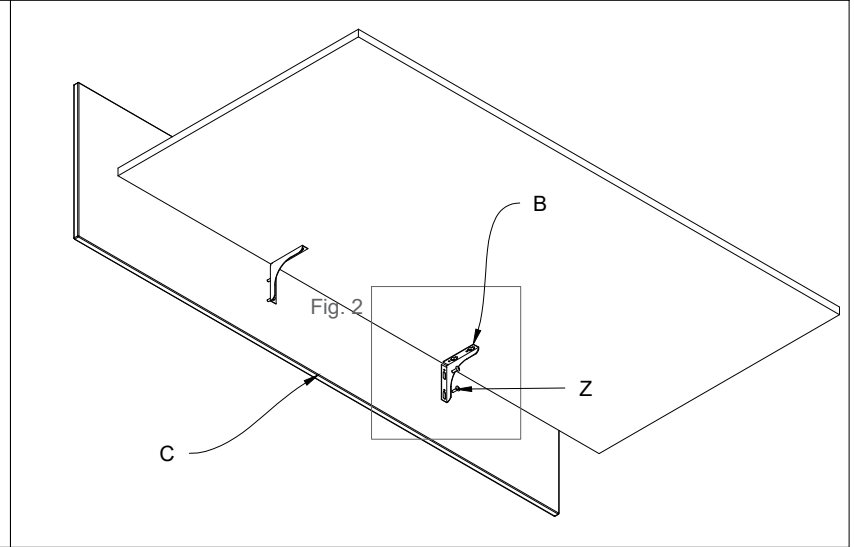
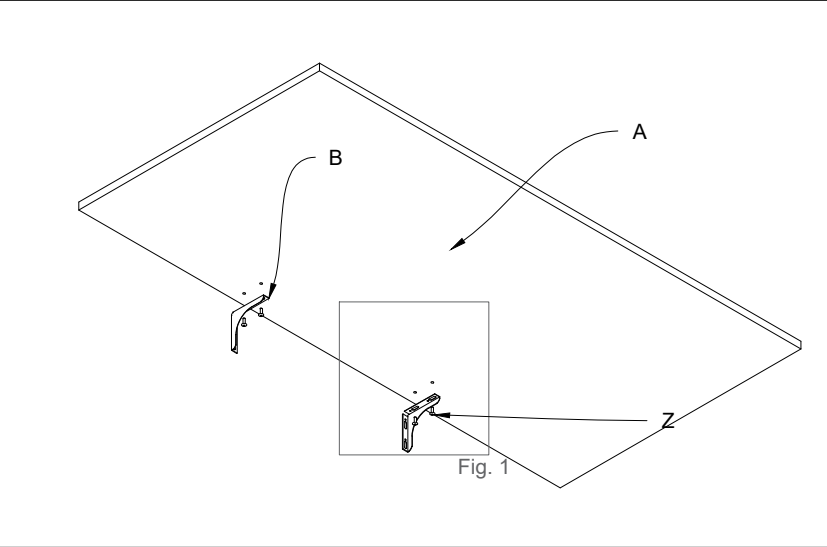
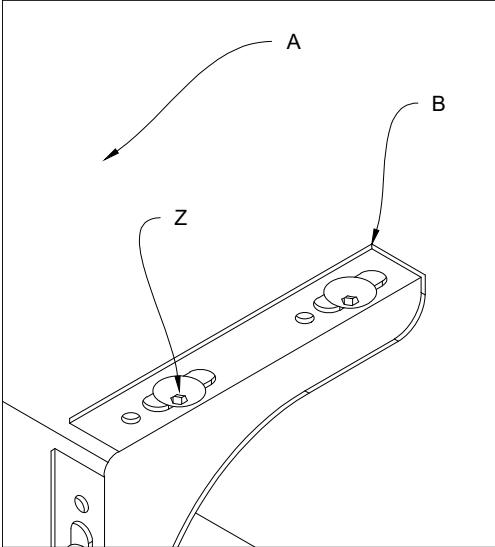


Fig.2 Unire la staffa (B) allo schermo fonoassorbente (C) tramite i bulloni (Z)

Fig.2 Unite the L shaped bracket (B) to the sound absorbing screen (C) by means of the bolts (Z)

