



Rev. **00**
Data Date
05/11/2020

Emissione Issuance
Approvazione Approval

Schema di montaggio Assembly diagram

U.0066 72x1.8x35-50 U.0067 92x1.8x35-50
U.0068 112x1.8x35-50 U.0069 132x1.8x35-50
U.0070 152x1.8x35-50 U.0071 172x1.8x35-50

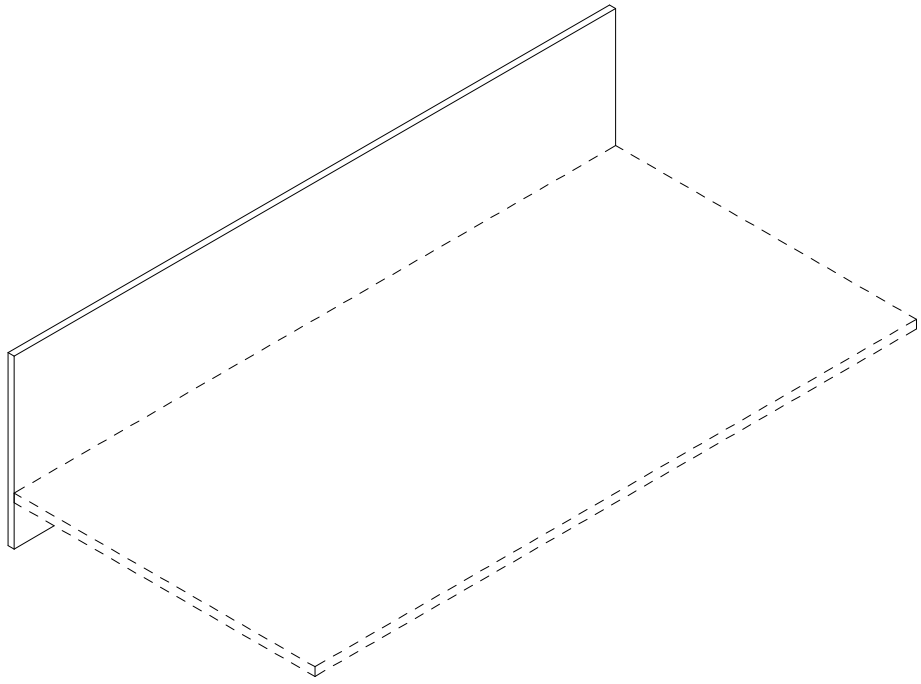


Fig.1 Unire le staffe (B) al piano (A) tramite i bulloni (Z)
Fig.1 Fasten the L shaped brackets (B) to the top (A) by means of the bolts (Z)

1) Inserire le staffe (B) nel piano (A) ed inserire i bulloni (Z) attraverso gli appositi fori
1) Insert the L shaped brackets (B) in the top (A), insert the bolts (Z) in the pre-drilled holes

2) Inserire le staffe (B) nello schermo in melaminico (C) ed inserire i bulloni (Z) attraverso gli appositi fori.
2) Insert the L shaped brackets (B) in the melamine screen (C), insert the bolts (Z) in the pre-drilled holes

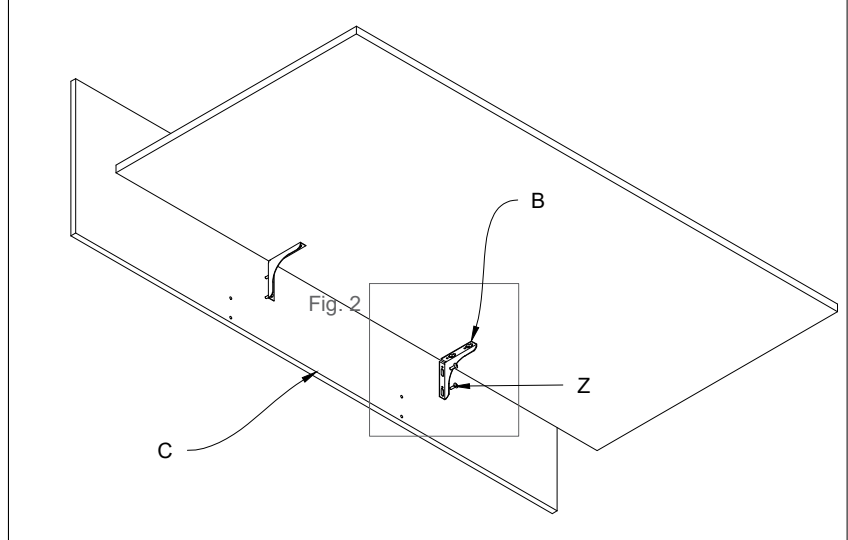
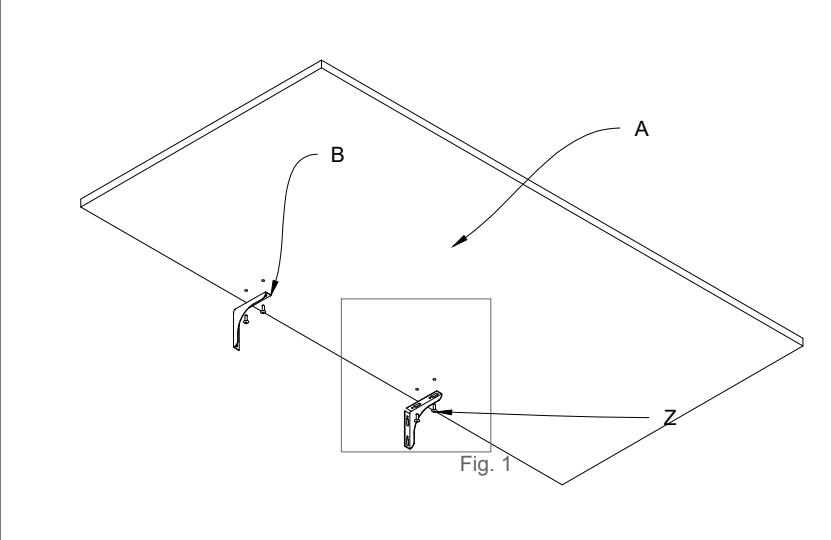
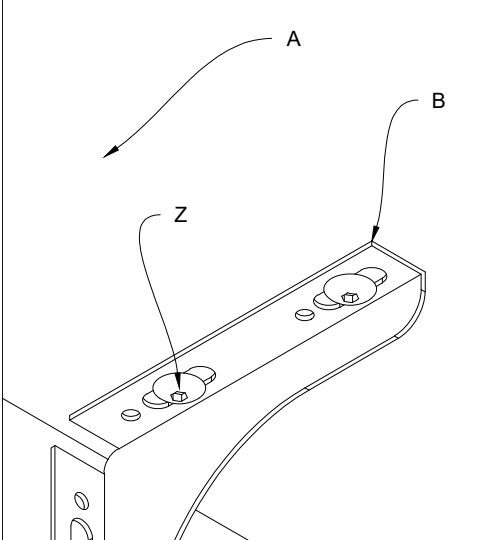


Fig.2 Unire la staffa (B) allo schermo in melaminico (C) tramite i bulloni (Z)
Fig.2 Fasten the L shaped bracket (B) to the melamine screen (C) by means of the bolts (Z)

