



Rev. 00

Emissione Issuance

Data Date
03/12/2020

Approvazione Approval

Schema di montaggio Assembly diagram

U.0060	72x0.6x35-50	U.0063	132x0.6x35-50
U.0061	92x0.6x35-50	U.0064	142x0.6x35-50
U.0062	112x0.6x35-50	U.0065	172x0.6x35-50

Ferramenta Hardware	Componenti Components							
Bullone da 6x16 (Z) Bolt 6x16 (Z)	n°8		Piano (A) Top (A)		Staffe (B) L shaped brackets (B)		Schermo in metacrilato (C) Methacrylate screen (C)	
	n°1							

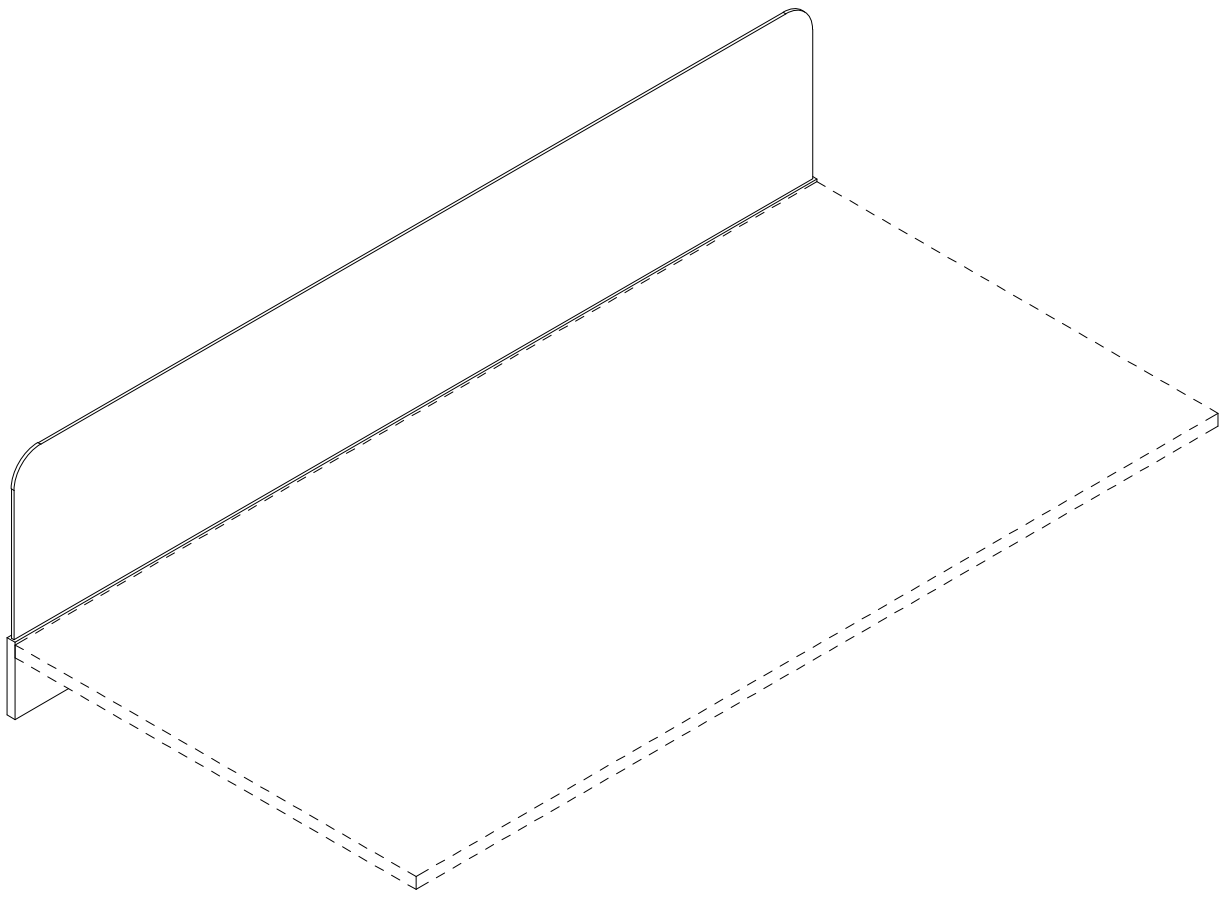


Fig.1 Unire le staffe (B) al piano (A) tramite i bulloni (Z)
Fig.1 Fasten the L shaped brackets (B) to the top (A) by means of the bolts (Z)

1) Inserire le staffe (B) nel piano (A) ed inserire i bulloni (Z) attraverso gli appositi fori
1) Insert the L shaped brackets (B) in the top (A), insert the bolts (Z) in the pre-drilled holes

2) Inserire le staffe (B) nello schermo in metacrilato (C) ed inserire i bulloni (Z) attraverso gli appositi fori.
2) Insert the L shaped brackets (B) in the methacrylate screen (C), insert the bolts (Z) in the pre-drilled holes

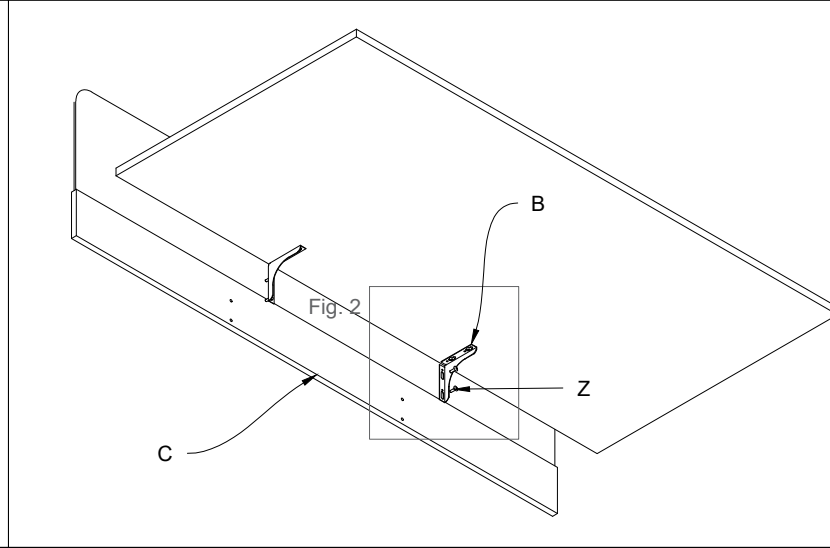
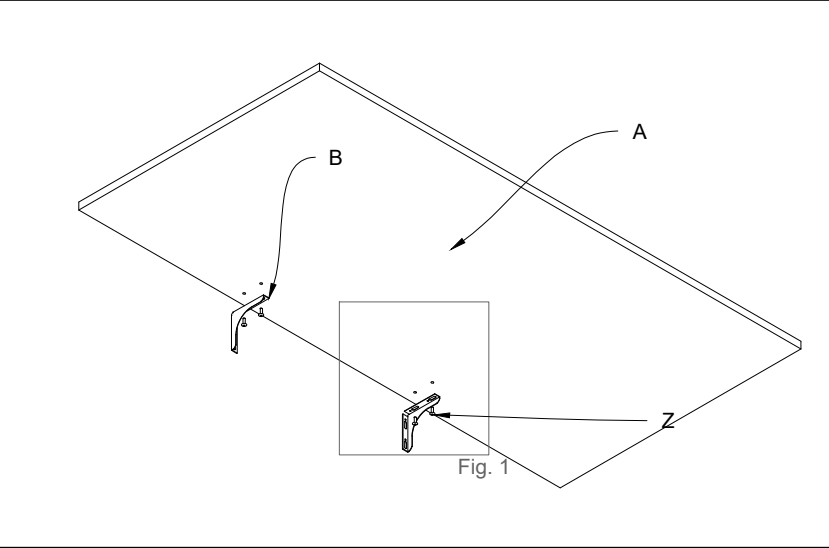
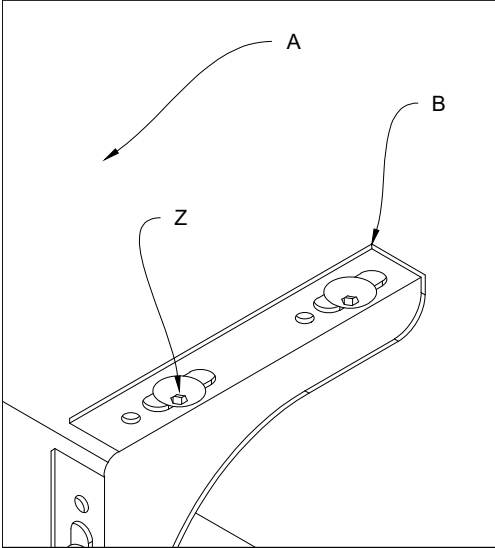


Fig.2 Unire la staffa (B) allo schermo in metacrilato (C) tramite i bulloni (Z)
Fig.2 Fasten the L shaped bracket (B) to the methacrylate screen (C) by means of the bolts (Z)

