
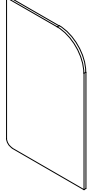
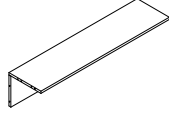
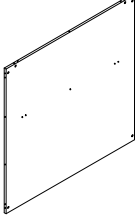
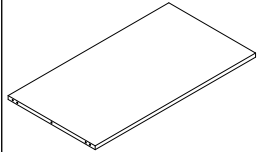

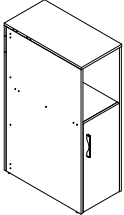
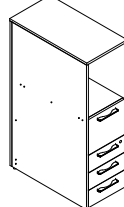
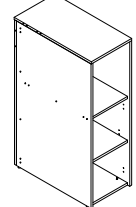













Ferramenta Hardware	Componenti Components													
Chiave esagonale Hexagonal key	n°1			Fianco (A) Side (A)			Mensola con frontalino (B) Shelf with frontal panel (B)			Frontale reception (C) Reception frontal panel (C)			Piano reception (D) Reception top (D)	
Maniglie (I) Handles (I)	n°5						Elemento centrale con anta (F) Central element with door (F)			Elemento centrale con cassetiera (G) Central element with chest of drawers (G)			Elemento centrale (H) Central element (H)	
Bullone 4X25(J) Bolt 4x25 (J)	n°10													
Cerniere (K) Hinges (K)	n°2		Tirante 7x33.5 (U) Tie-rod 7x33.5 (U)	n°84										
Viti (L) Screws (L)	n°4		Reggipiani (Z) Shelf supports (Z)	n°8										
Basetta (M) Hinge base (M)	n°2													
Bullone 6x30(N) Bolt 6x30 (N)	n°8													
Spine 8x30 (O) Wooden pin 8x30 (O)	n°120													
Piedini diam. 14 (P) Feet diam. 14 (P)	n°24													
Bariotto 14x14 (Q) Barrel 14x14(Q)	n°84													
Grano 8x8 (S) Threaded screw 8x8 (S)	n°84													

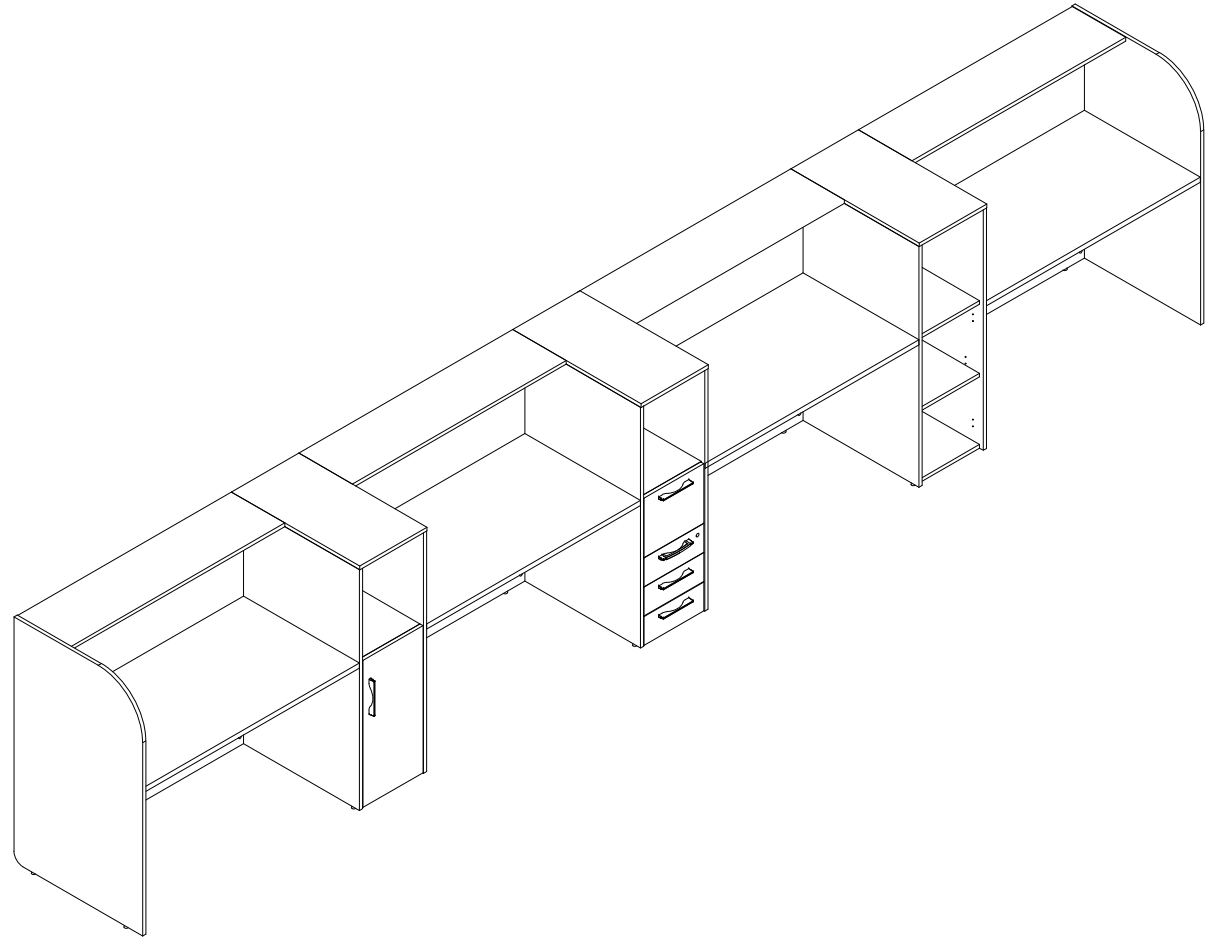
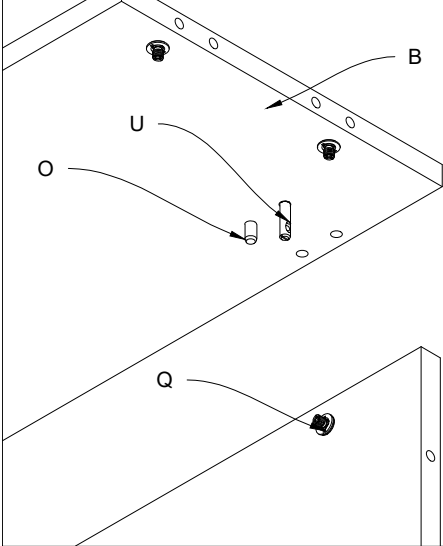
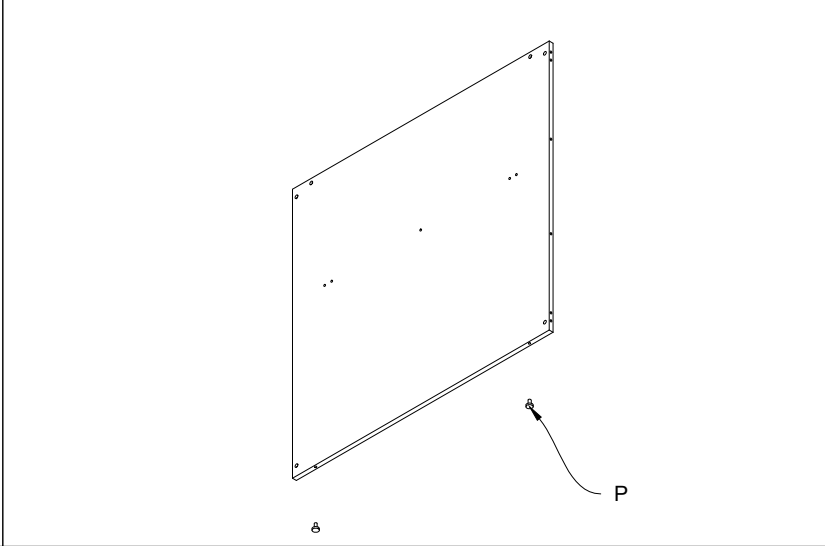


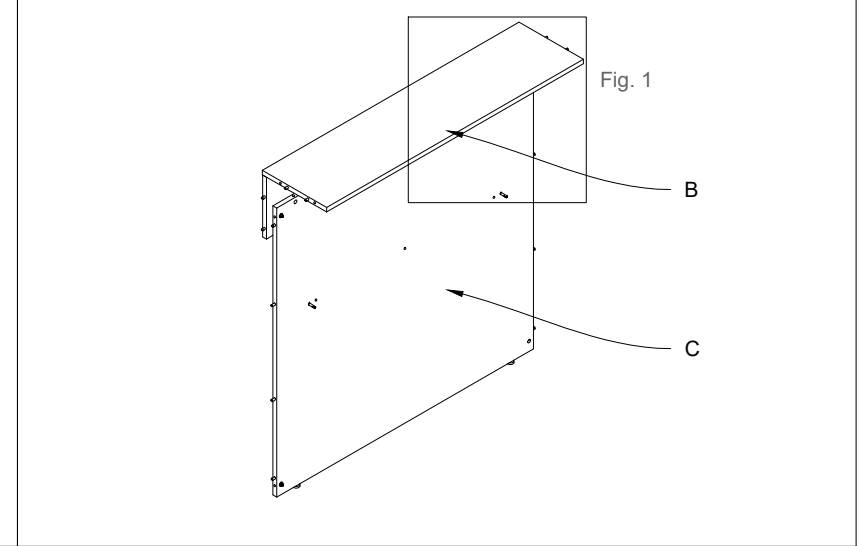
Fig.1 Unire la mensola e il frontalino (B) tramite spine (O) tiranti (U) e barilotti (Q).
 Fig.1 Unite the shelf and frontal panel (B) by means of the wooden pins (O), tie-rods (U) and barrels (Q).



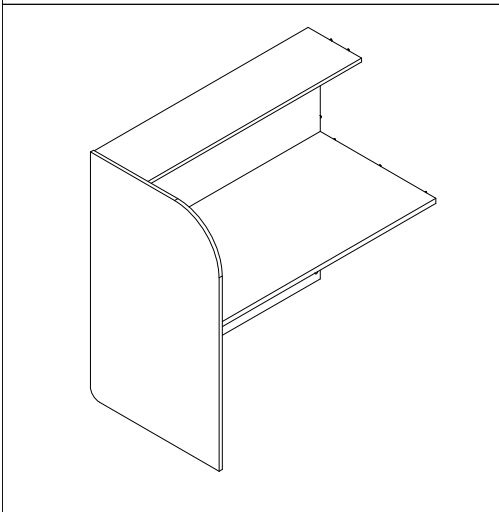
1) Posizionare i piedini (P) nei fori appositi sotto ogni elemento che poggia a terra.
 1) Position the feet (P) in the designated holes under each element resting on the floor.



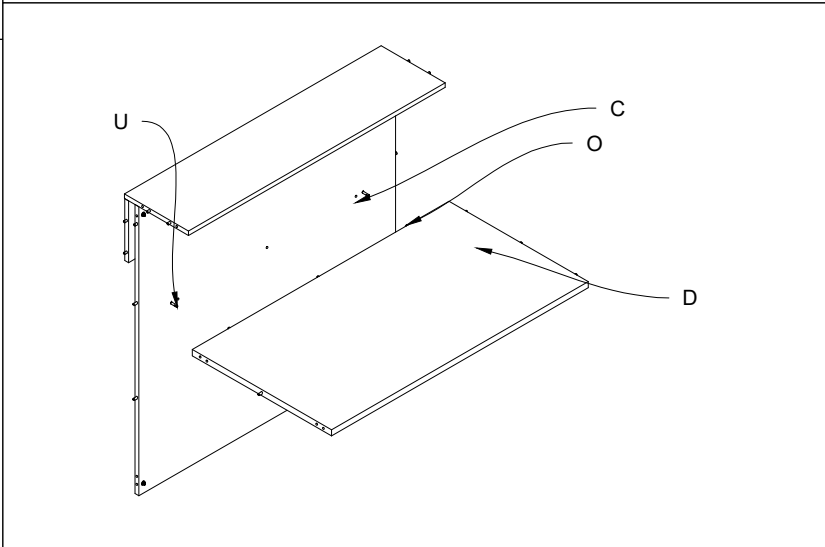
2) Posizionare la mensola (B) nel frontale reception (C) tramite le spine.
 2) Position the shelf (B) in the reception frontal panel (C) by means of the wooden pins.



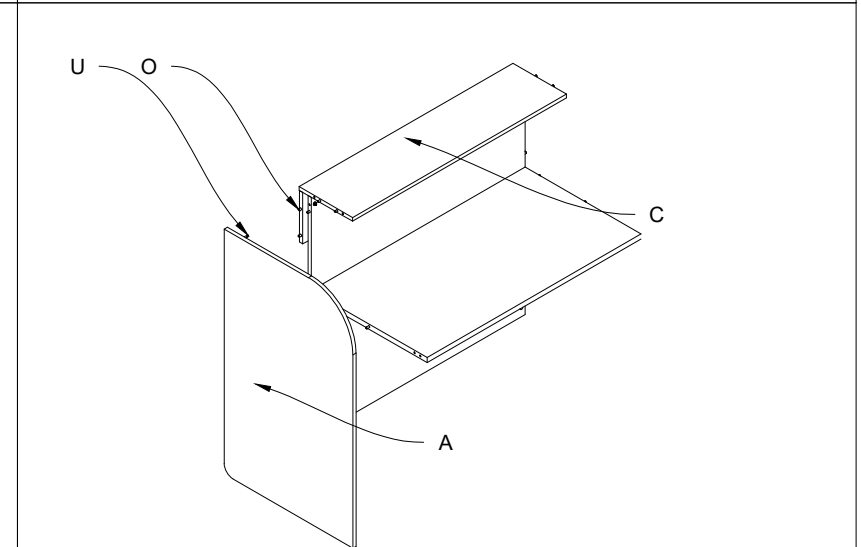
Elemento iniziale e finale reception:
 ST.0092 DX-SX - ST.0093 DX-SX - ST.0094 DX-SX
 Reception initial and final element:
 ST.0092 DX-SX - ST.0093 DX-SX - ST.0094 DX-SX



3) Posizionare il piano (D) nel frontale (C) tramite le spine (O) e i tiranti (U).
 3) Position the top (D) in the frontal panel (C) by means of the wooden pins (O) and tie-rods (U)



4) Unire il frontale della reception (C) con il fianco (A) tramite le spine (O) e i tiranti (U) .
 4) Unite the frontal panel of the reception (C) to the side (A) by means of the wooden pins (O) and tie-rods (U)



Elemento centrale reception: ST0103 - ST.0104 - ST.0105.
 Reception central element: ST.0103 - ST.0104 - ST.0105.

4) Unire il piano (D) la mensola, frontalino (B) e il frontale (C) con spine (O) e i tiranti.
 4) Unite the top (D), shelf, frontal shelf panel (B) and reception frontal panel (C) by means of the wooden pins (O) and tie rods.

5) Inserire la base e il cappello del contenitore nel fianco tramite le spine (O) i tiranti (U) e i barilotti (Q).
 5) Insert the base and top of the box in the side by means of the wooden pins (O), tie-rods (U) and barrels (Q).

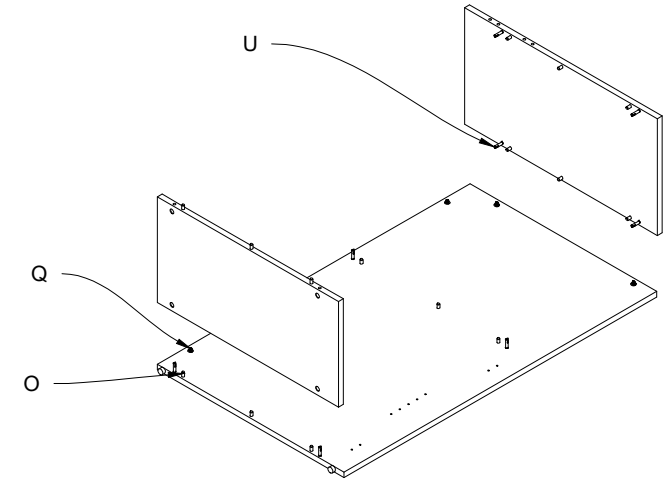
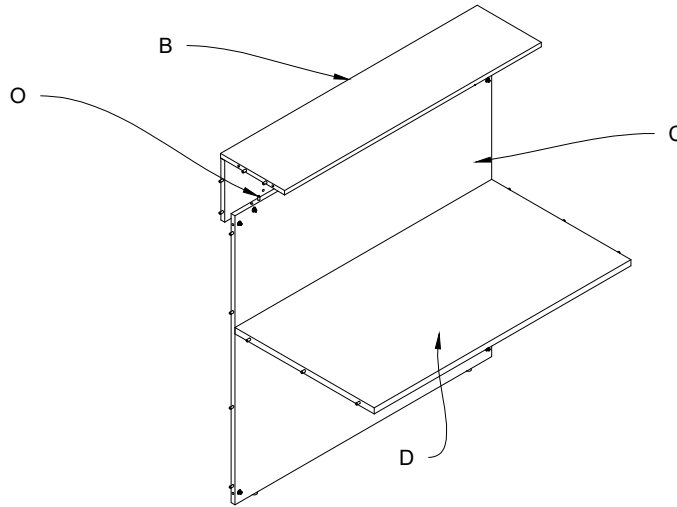
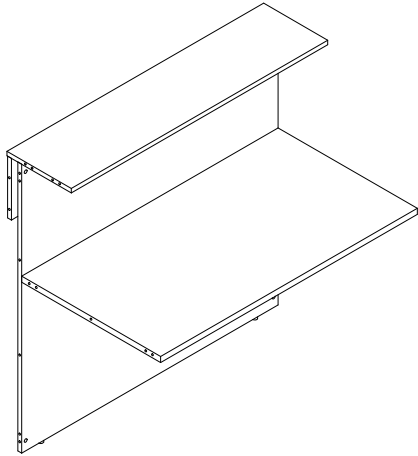
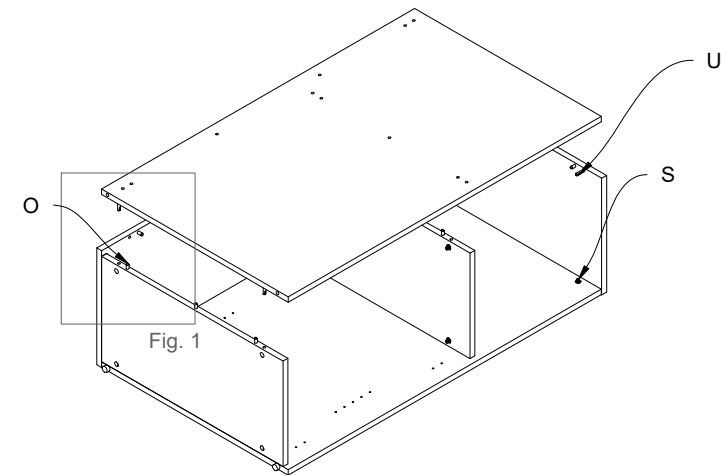
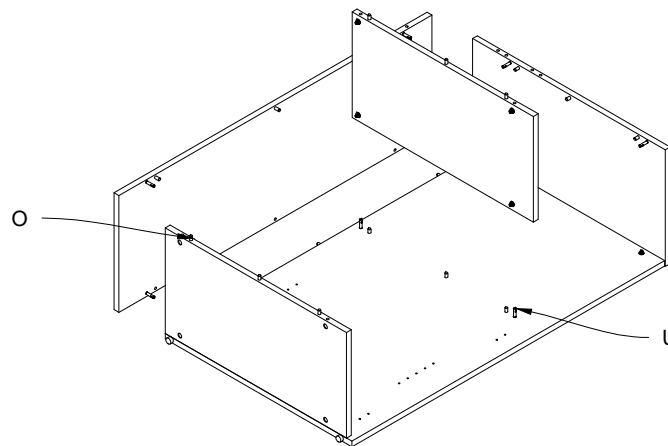
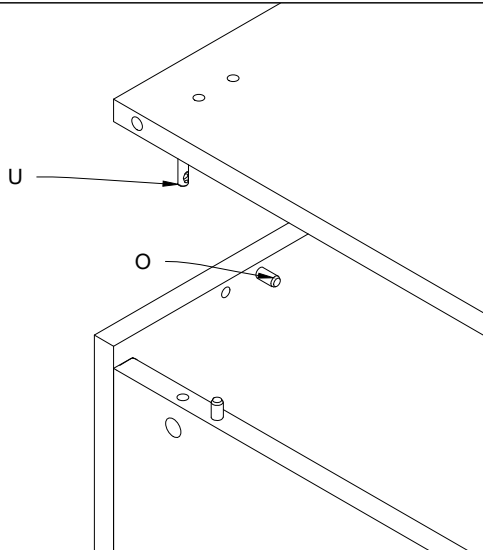


Fig.1 Fissare il fianco con il retro e la base tramite le spine (O) e i tiranti (U).
 Fig.1 Fasten the side to the back panel and base by means of the wooden pins (O) and tie-rods (U)

6) Inserire il ripiano strutturale e il retro al fianco tramite i tiranti (U) e le spine (O).
 6) Insert the structural shelf and back panel in the side by means of the tie-rods (U) and wooden pins (O).

7) Posizionare il secondo fianco ed unirlo alla base e al cappello tramite spine (O) e tiranti (U). Infine serrare i grani (S).
 7) Position the second side and unite it to the base and top by means of the wooden pins (O) and tie-rods (U), tighten the threaded screws (S).



Elemento contenitore con cassettera
 reception: ST0111 DX-SX-CE.
 Reception box element with chest of
 drawers: ST.0111 DX-SX-CE

8) Inserire i fianchi per la cassettera con annesse guide alla struttura
 base del mobile ed agganciarli tramite i bulloni (N) ai fianchi.
 8) Insert the chest of drawers sides with the combined guides to the
 base structure of the box and clasp them by means of the bolts (N) to
 the sides.

9) Inserire i cassetti, con i frontali nelle guide ed inserire le maniglie (I)
 tramite i bulloni (J).
 9) Insert the drawers with the fronts in the guides, insert the handles (I)
 by means of the bolts (J).

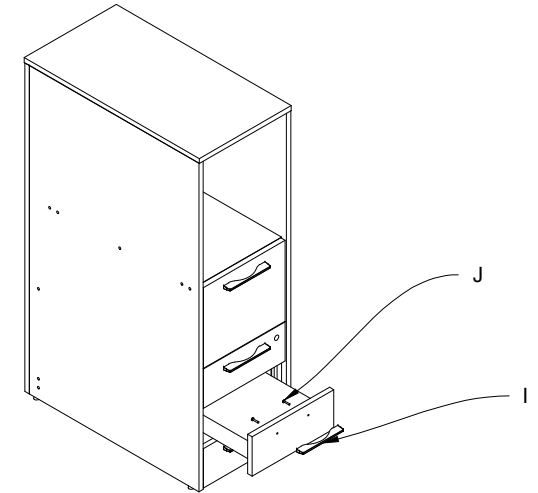
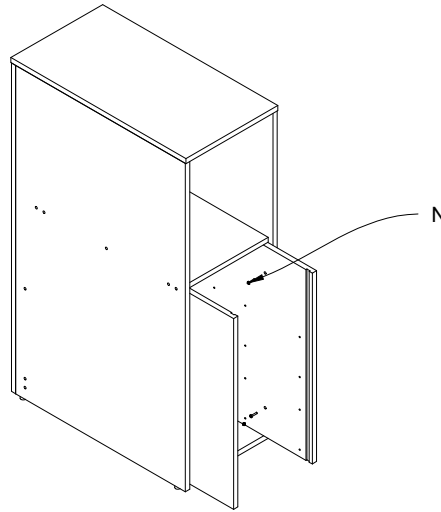
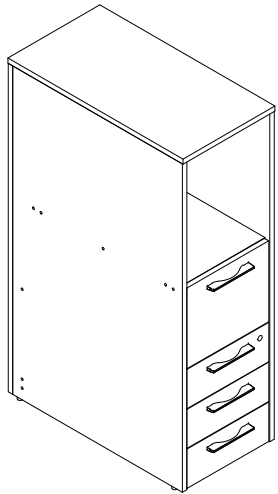
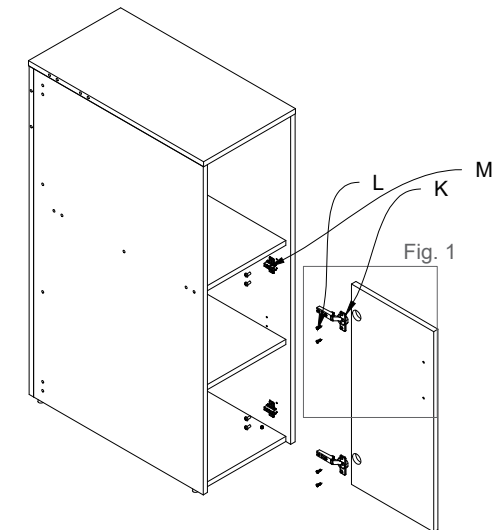
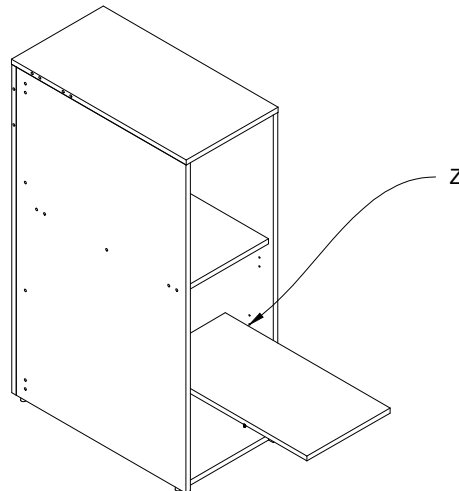
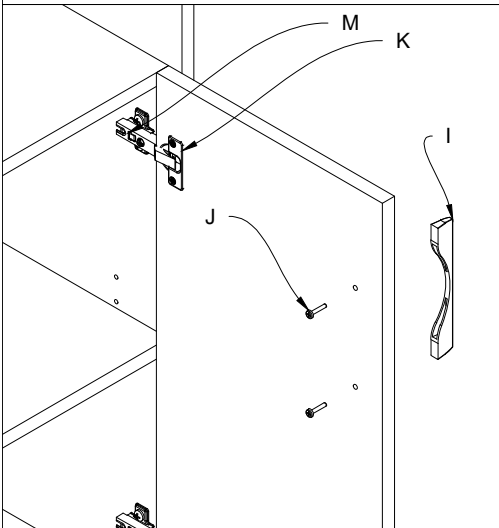


Fig.1 Fissare le cerniere (K) e basette (M)
 ed inserire la maniglia (I) tramite i bulloni
 (J).
 Fig.1 Fasten the hinges (K) and hinge
 bases (M), insert the handle (I) by means
 of the bolts (J).

10) Inserire il ripiano alla struttura base del mobile ed agganciarlo
 tramite i reggipiani (Z) ai fianchi.
 10) Insert the shelf to the structural base of the box and clasp it by
 means of the shelf supports (Z) to the sides.

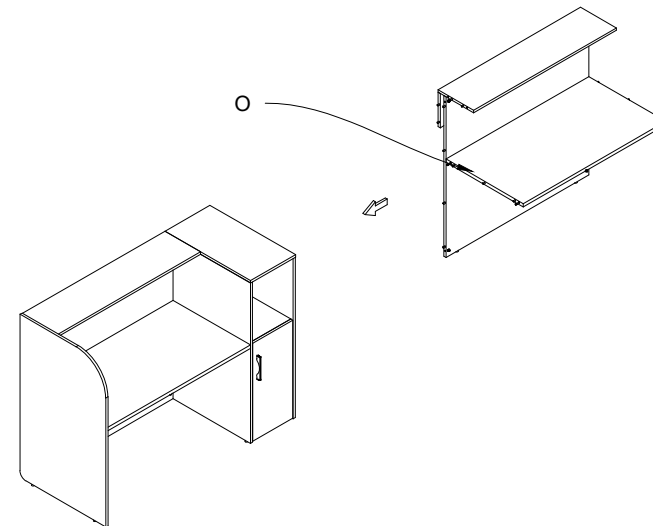
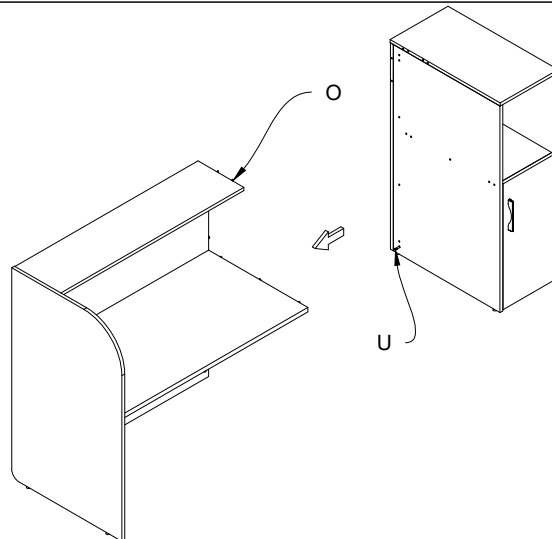
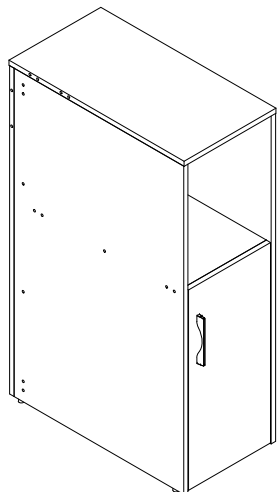
10) Fissare le basette (M) sui fianchi e le cerniere (K) all'anta
 tramite le viti (L).
 10) Fasten the hinge bases (M) to the sides and the hinges (K) to the
 door by means of the screws (L)



Elemento contenitore con anta reception:
ST0110 DX-CEDX-CESX-CE-SX.
Reception box element with door:
ST.0110 DX-CEDX-CESX-CE-SX

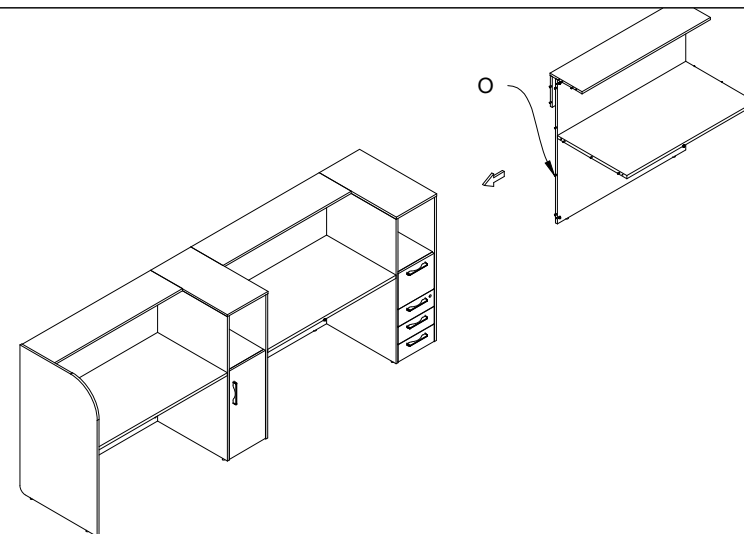
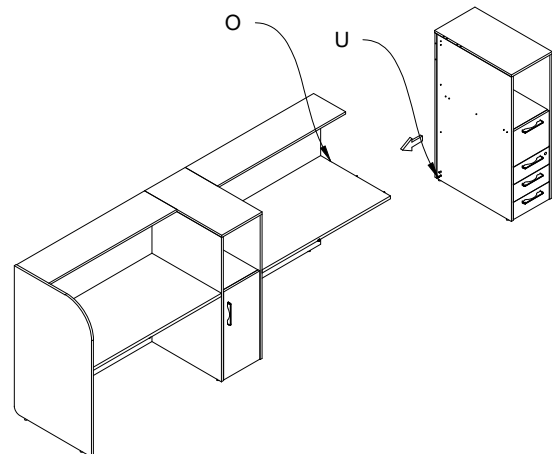
11) Unire l'elemento iniziale con l'elemento contenitore con anta tramite spine (O) e tiranti (U).
11) Unite the initial element to the box element with the door by means of the wooden pins (O) and tie-rods (U)

12) Unire l'elemento centrale con l'elemento centrale reception tramite le spine (O) e tiranti .
12) Unite the central element to the reception central element by means of the wooden pins (O) and tie-rods



13) Unire l'elemento contenitore con cassettera e l'elemento centrale tramite le spine (O), i tiranti (U).
13) Unite the box element with the chest of drawers to the central element by means of the wooden pins (O) and tie-rods (U).

14) Unire l'elemento centrale e l'elemento contenitore con cassettera tramite le spine (O), i tiranti.
14) Unite the central element to the box element with the chest of drawers by means of the wooden pins (O) and tie-rods.



15) Unire l'elemento finale con l'elemento centrale (H) tramite le spine (O) e tiranti. Unire all'elemento centrale reception.
15) Unite the final element to the central element (H) by means of the wooden pins (O) and tie-rods. Unite to the reception central element.

