
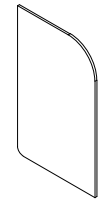
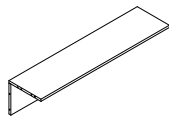
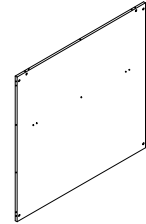
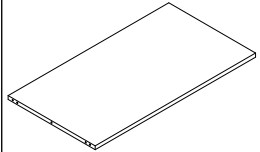

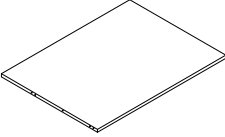
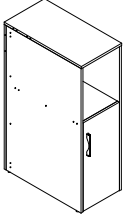
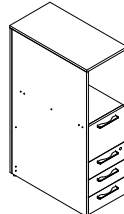



Schema di montaggio Assembly diagram

Ferramenta Hardware	Componenti Components									
Chiave esagonale Hexagonal key	n°1		Fianco (A) Side (A)		Mensola con frontalino (B) Shelf with frontal panel (B)		Frontale reception (C) Reception frontal panel (C)		Piano reception (D) Reception top (D)	
Maniglie (I) Handles (I)	n°5		Piano a sbalzo (E) Overhanging top (E)		Elemento centrale con anta (F) Central element with door (F)		Elemento centrale con cassetiera (G) Central element with chest of drawers (G)			
Bullone 4X25(J) Bolt 4x25 (J)	n°10									

Cerniere (K) Hinges (K)	n°2		Tirante 7x33.5 (U) Tie-rod 7x33.5 (U)	n°76	
Viti (L) Screws (L)	n°4		Reggipiani (Z) Shelf supports (Z)	n°4	
Basetta (M) Hinge base (M)	n°2				
Bullone 6x30(N) Bolt 6x30 (N)	n°8				
Spine 8x30 (O) Wooden pin 8x30 (O)	n°120				
Piedini diam. 14 (P) Feet diam. 14 (P)	n°20				
Bariotto 14x14 (Q) Barrel 14x14(Q)	n°76				
Grano 8x8 (S) Threaded screw 8x8 (S)	n°76				

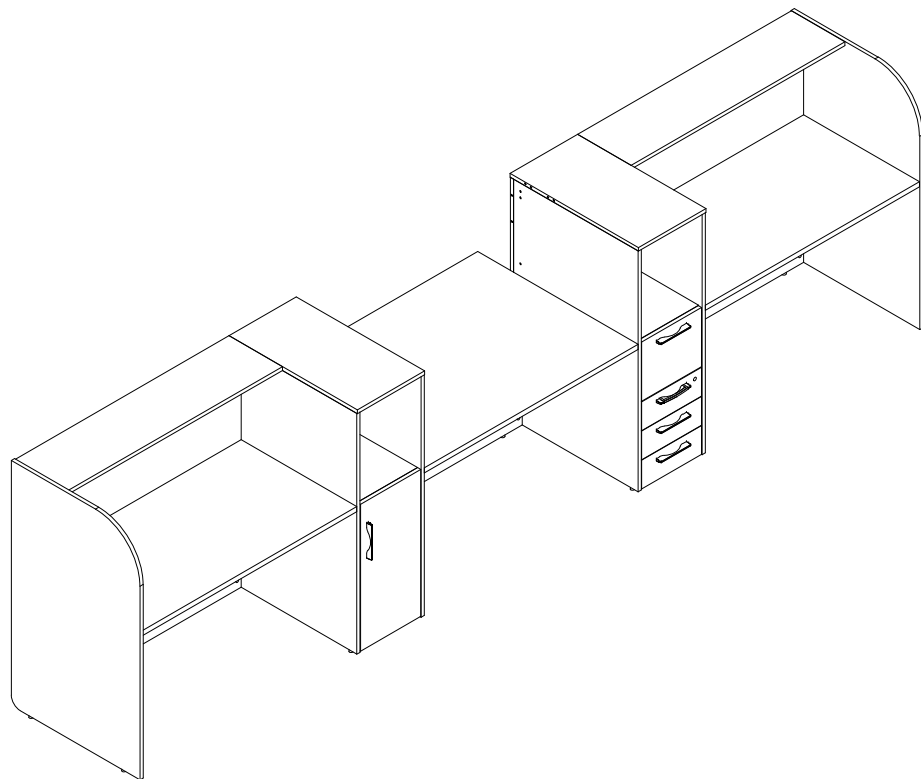
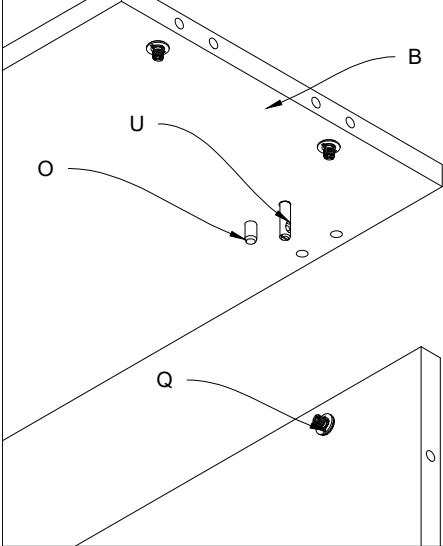
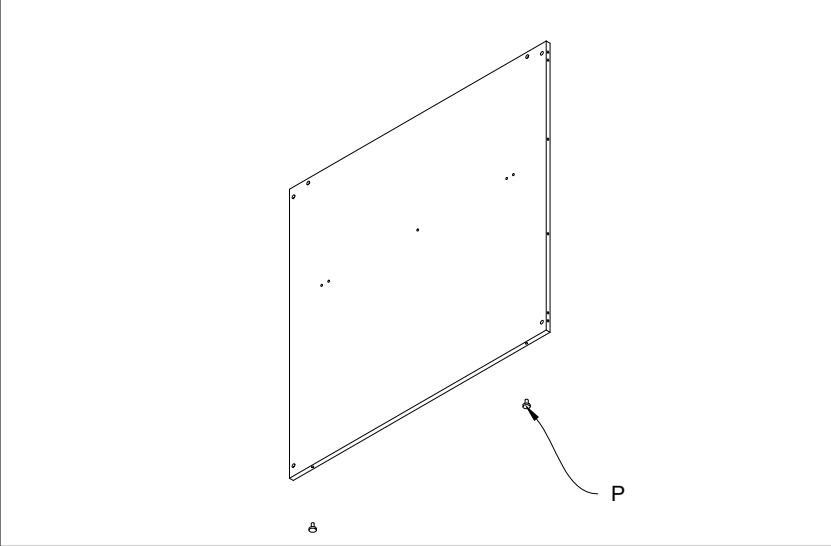


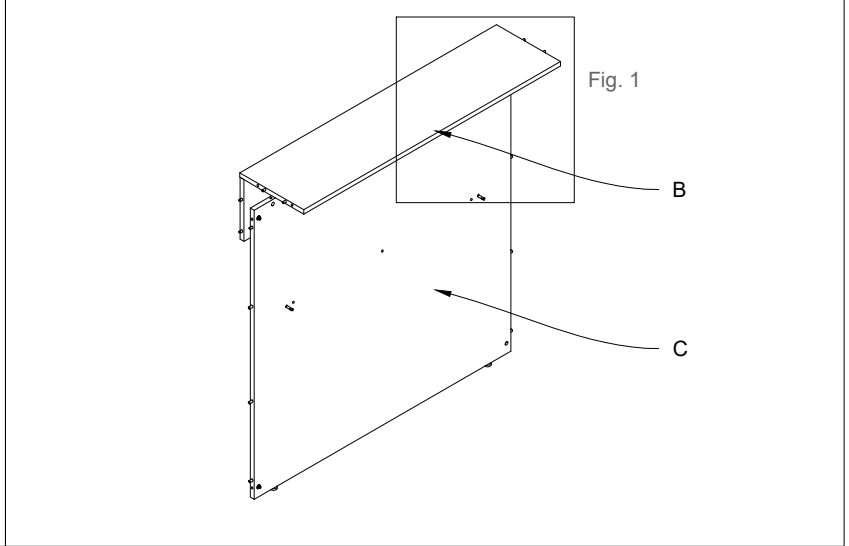
Fig.1 Unire la mensola e il frontalino (B) tramite spine (O) tiranti (U) e barilotti (Q).
 Fig.1 Unite the shelf and frontal panel (B) by means of the wooden pins (O), tie-rods (U) and barrels (Q).



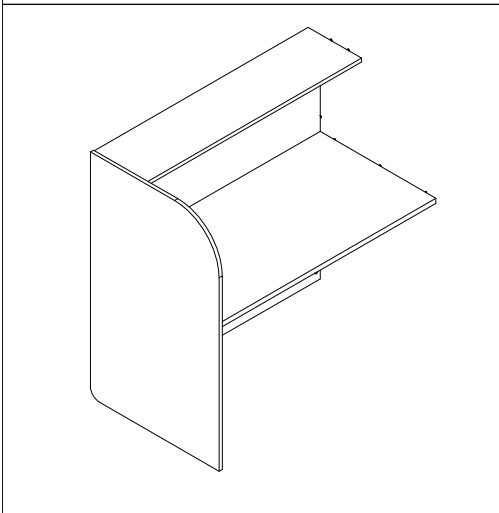
1) Posizionare i piedini (P) nei fori appositi sotto ogni elemento che poggia a terra.
 1) Position the feet (P) in the designated holes under each element resting on the floor.



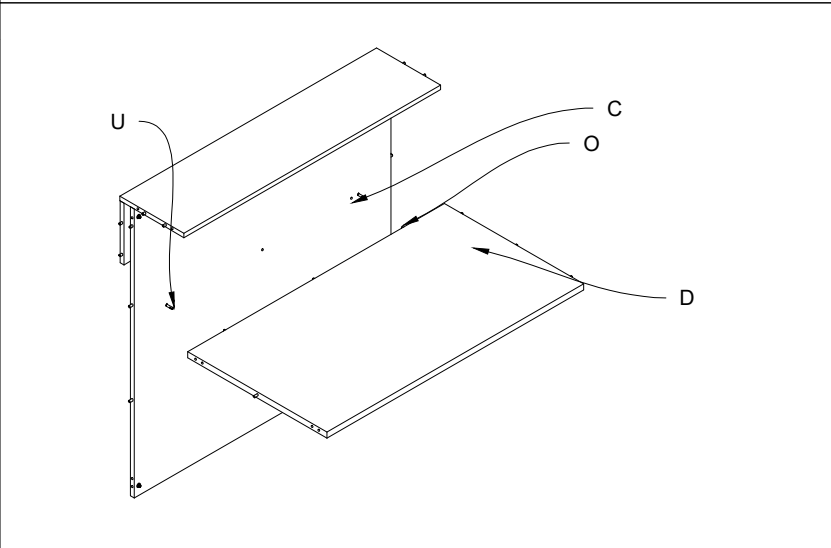
2) Posizionare la mensola (B) nel frontale reception (C) tramite le spine.
 2) Position the shelf (B) in the reception frontal panel (C) by means of the wooden pins.



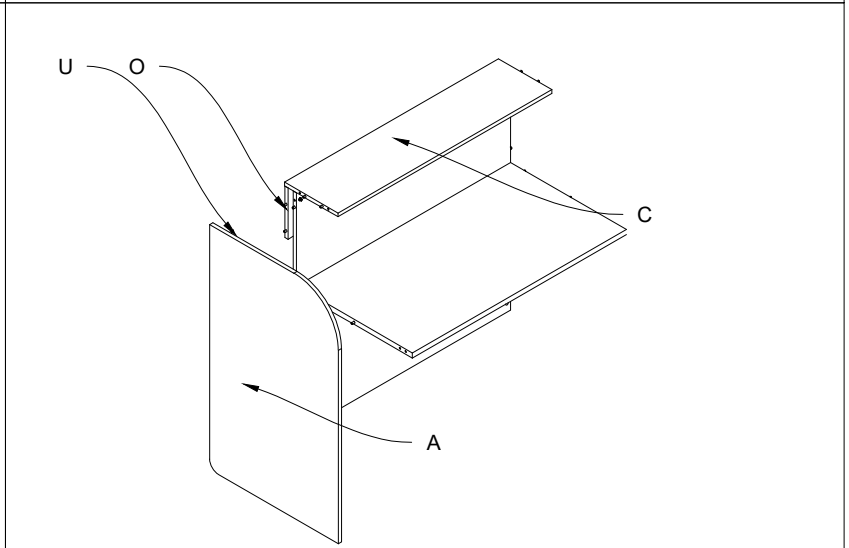
Elemento iniziale e finale reception:
 ST.0092 DX-SX - ST.0093 DX-SX - ST.0094 DX-SX
 Reception initial and final element:
 ST.0092 DX-SX - ST.0093 DX-SX - ST.0094 DX-SX



3) Posizionare il piano (D) nel frontale (C) tramite le spine (O) e i tiranti (U).
 3) Position the top (D) in the frontal panel (C) by means of the wooden pins (O) and tie-rods (U)



4) Unire il frontale della reception (C) con il fianco (A) tramite le spine (O) e i tiranti (U).
 4) Unite the frontal panel of the reception (C) to the side (A) by means of the wooden pins (O) and tie-rods (U)



Elemento centrale reception: ST0106 - ST.0107 - ST.0108.
 Reception central element: ST.0106 - ST.0107 - ST.0108

4) Unire il piano a sbalzo (E) e il frontale con spine (O), barilotti (Q) e grani (S)
 4) Unite the overhanging top (E) to the frontal panel by means of the wooden pins (O), barrels (Q) and threaded screws (S)

5) Inserire la base e il cappello del contenitore nel fianco tramite le spine (O) i tiranti (U) e i barilotti (Q).
 5) Insert the base and top of the box in the side by means of the wooden pins (O), tie-rods (U) and barrels (Q).

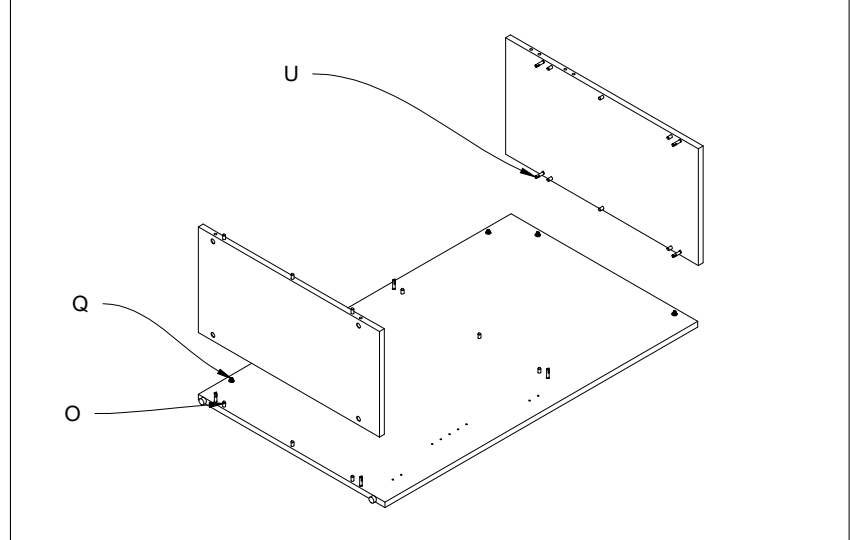
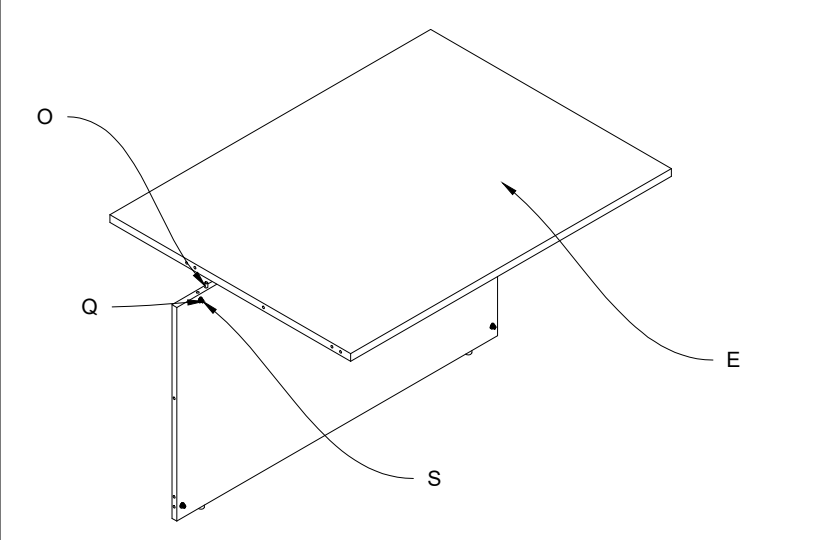
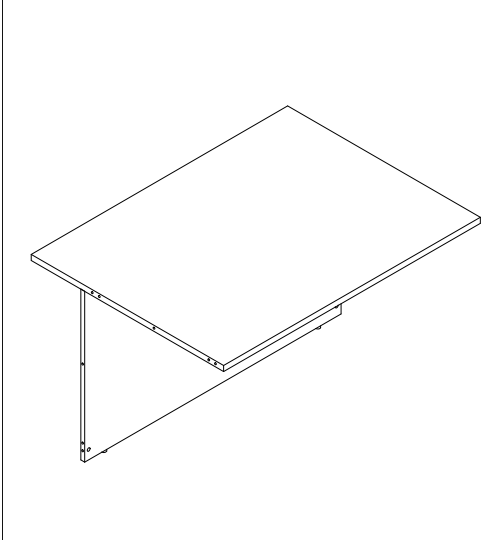
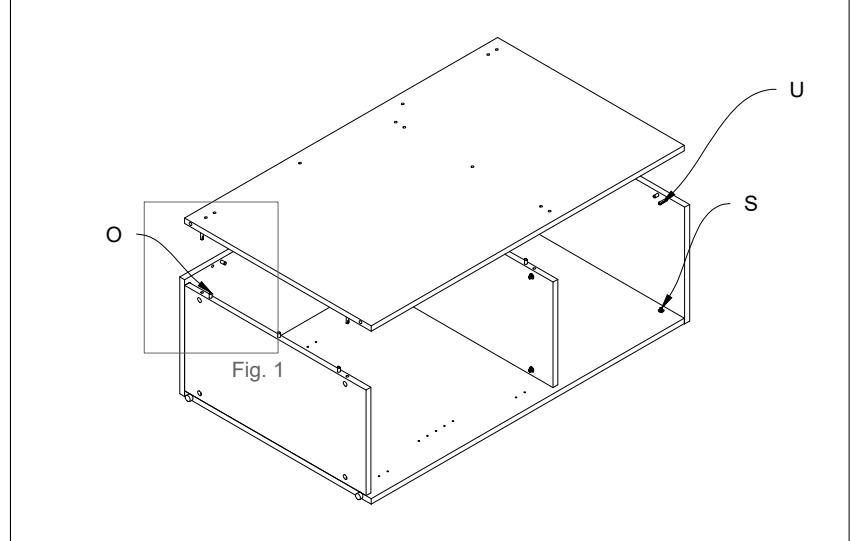
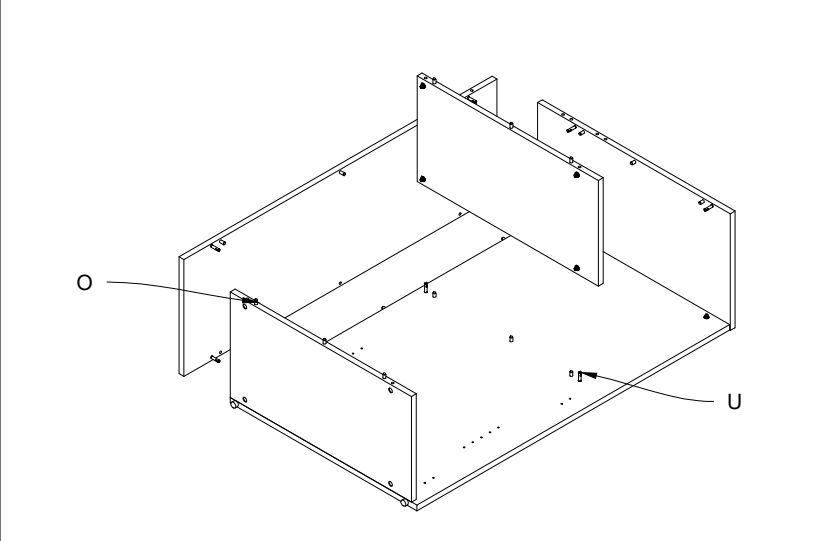
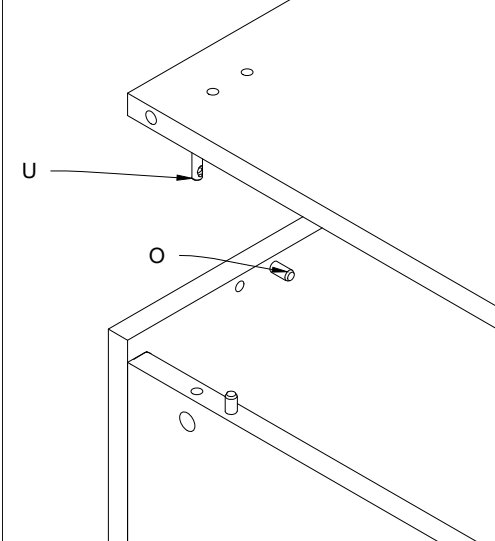


Fig.1 Fissare il fianco con il retro e la base tramite le spine (O) e i tiranti (U).
 Fig.1 Fasten the side to the back panel and base by means of the wooden pins (O) and tie-rods (U)

6) Inserire il ripiano strutturale e il retro al fianco tramite i tiranti (U) e le spine (O).
 6) Insert the structural shelf and back panel in the side by means of the tie-rods (U) and wooden pins (O).

7) Posizionare il secondo fianco ed unirlo alla base e al cappello tramite spine (O) e tiranti (U). Infine serrare i grani (S).
 7) Position the second side and unite it to the base and top by means of the wooden pins (O) and tie-rods (U), tighten the threaded screws (S).



Elemento contenitore con cassetteria
reception: ST0111 DX-SX-CE.
Reception box element with chest of
drawers: ST.0111 DX-SX-CE

8) Inserire i fianchi per la cassetteria con annesse guide alla struttura
base del mobile ed agganciarli tramite i bulloni (N) ai fianchi.
8) Insert the chest of drawers sides with the combined guides to the
base structure of the box and clasp them by means of the bolts (N) to
the sides.

9) Inserire i cassetti, con i frontali nelle guide ed inserire le maniglie (I)
tramite i bulloni (J).
9) Insert the drawers with the fronts in the guides, insert the handles (I)
by means of the bolts (J).

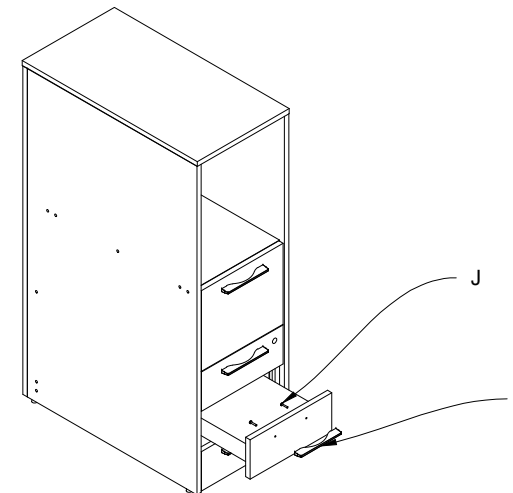
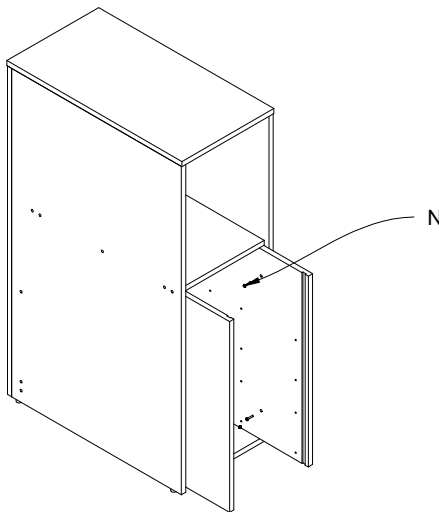
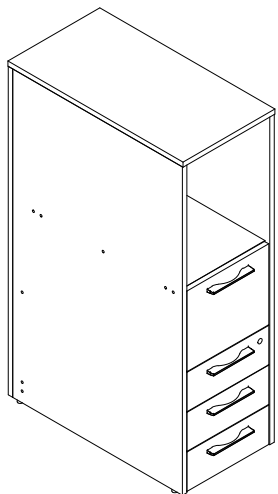
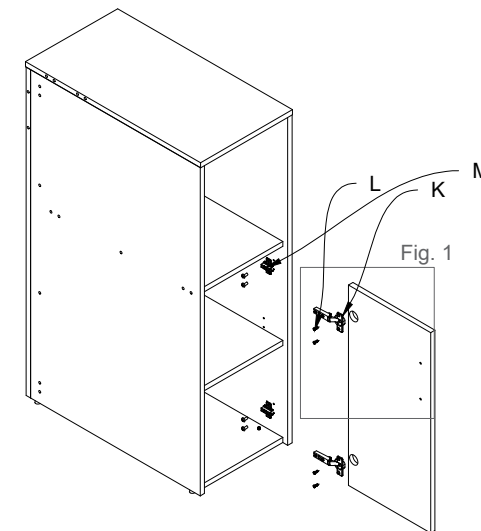
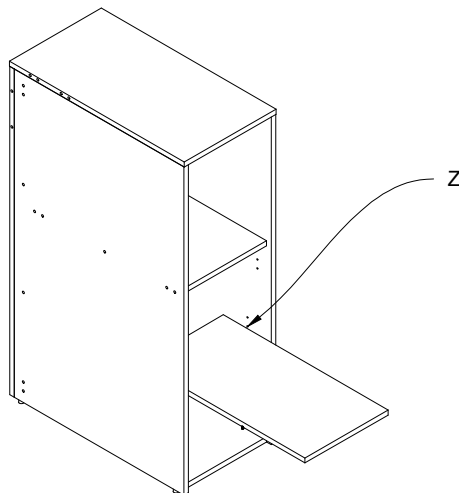
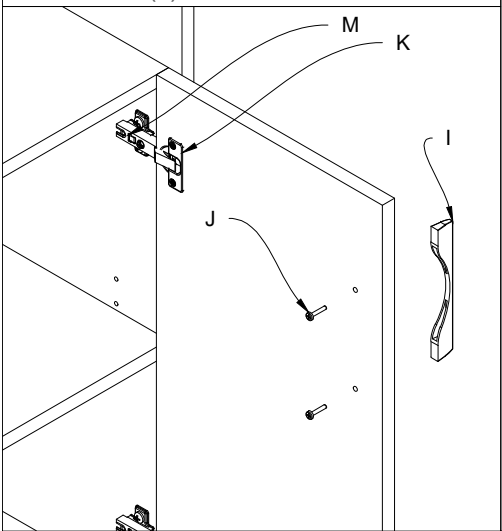


Fig.1 Fissare le cerniere (K) e basette (M)
ed inserire la maniglia (I) tramite i bulloni
(J).
Fig.1 Fasten the hinges (K) and hinge
bases (M), insert the handle (I) by means
of the bolts (J).

10) Inserire il ripiano alla struttura base del mobile ed agganciarlo
tramite i reggipiani (Z) ai fianchi.
10) Insert the shelf to the structural base of the box and clasp it by
means of the shelf supports (Z) to the sides.

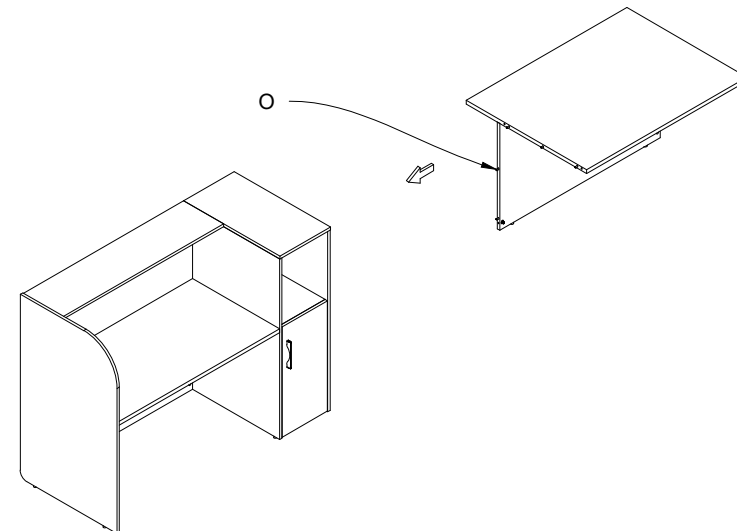
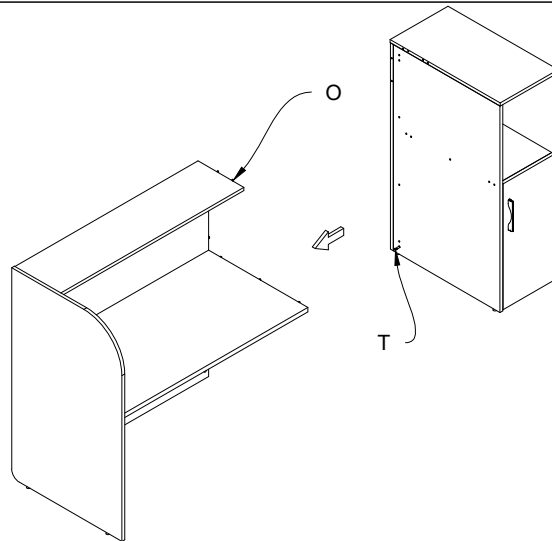
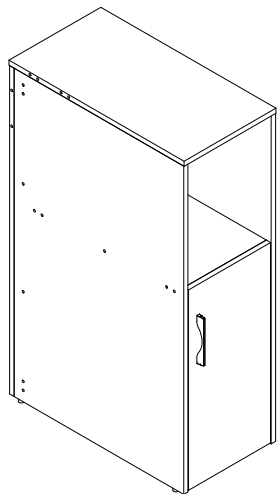
10) Fissare le basette (M) sui fianchi e le cerniere (K) all'anta
tramite le viti (L).
10) Fasten the hinge bases (M) to the sides and the hinges (K) to the
door by means of the screws (L)



Elemento contenitore con anta reception:
ST0110 DX-CEDX-CESX-CE-SX.
Reception box element with door:
ST.0110 DX-CEDX-CESX-CE-SX

11) Unire l'elemento iniziale con l'elemento contenitore con anta tramite spine (O) e tiranti (U).
11) Unite the initial element to the box element with the door by means of the wooden pins (O) and tie-rods (U)

12) Unire l'elemento centrale con il piano a sbalzo tramite le spine (O) e tiranti.
12) Unite the central element to the overhanging top by means of the wooden pins (O) and tie-rods.



13) Unire l'elemento contenitore con cassetteria e l'elemento centrale con piano a sbalzo tramite le spine (O), i tiranti (U).
13) Unite the box element with the chest of drawers to the central element with the overhanging top by means of the wooden pins (O) and tie-rods (U).

14) Unire l'elemento finale reception e l'elemento contenitore con cassetteria tramite le spine (O), i tiranti.
14) Unite the reception final element and the box element to the chest of drawers by means of the wooden pins (O) and tie-rods

