
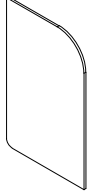
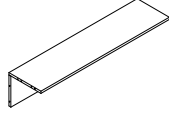
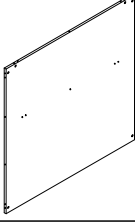

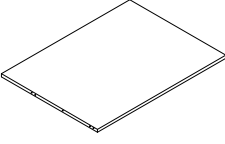
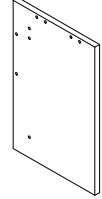
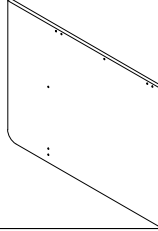









Schema di montaggio Assembly diagram

Ferramenta Hardware	Componenti Components								
Chiave esagonale Hexagonal key	n°1		Fianco (A) Side (A)		Mensola con frontalino (B) Shelf with frontal panel (B)		Frontale reception (C) Reception frontal panel (C)		Piano reception (D) Reception top (D)
Tirante doppio (P) Double tie-rod (P)	n°3		Piano a sbalzo (E) Overhanging top (E)		Elemento di chiusura frontalino mensola (F) Frontal shelf closure element (F)		Fianco di finitura (G) Closing side (G)		
Tirante 7x33.5 (Q) Tie-rod 7x33.5 (Q)	n°18								
Barilotto 14x14 (R) Barrel 14x14(R)	n°24								
Grano 8x8 (S) Threaded screw 8x8 (S)	n°24								
Spine 8x30 (T) Wooden pin 8x30 (T)	n°44								
Staffa a "L"(U) "L" shaped bracket (U)	n°2								
Bullone 6x30(V) Bolt 6x30 (V)	n°8								
Piedini diam. 14 (Z) Feet diam. 14 (Z)	n°10								

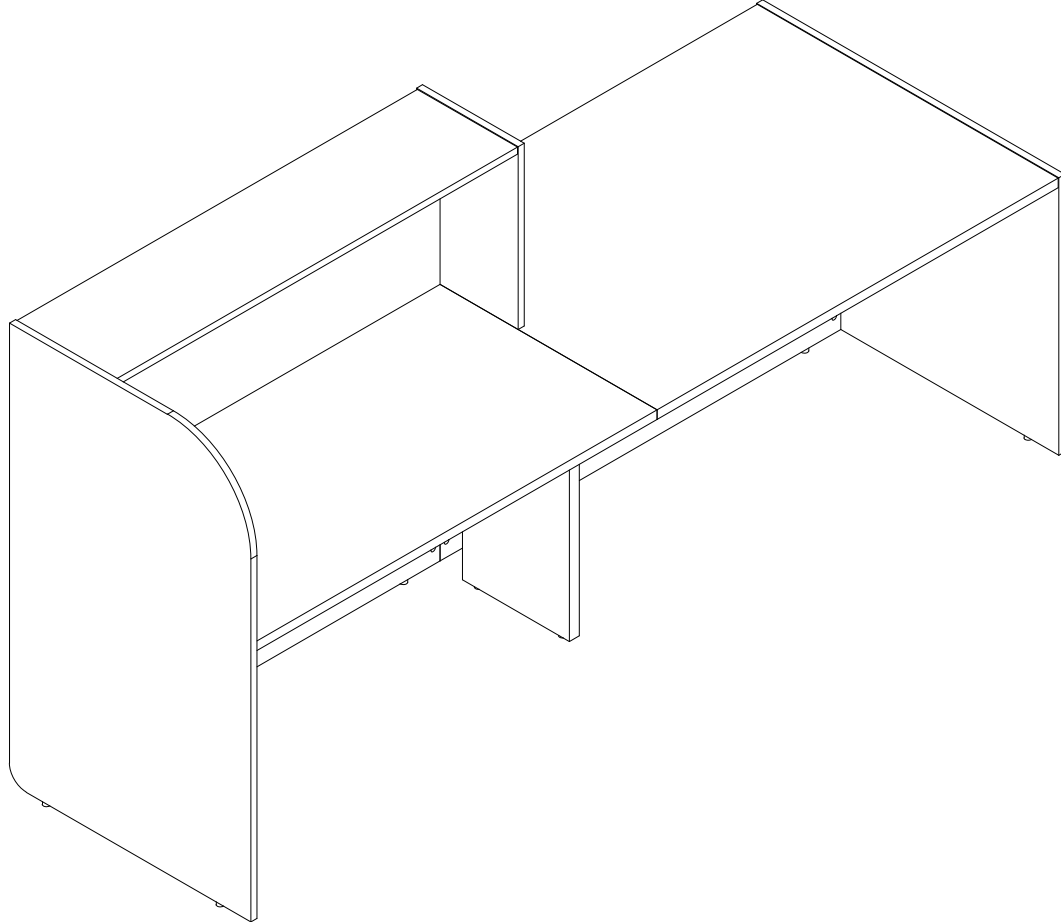
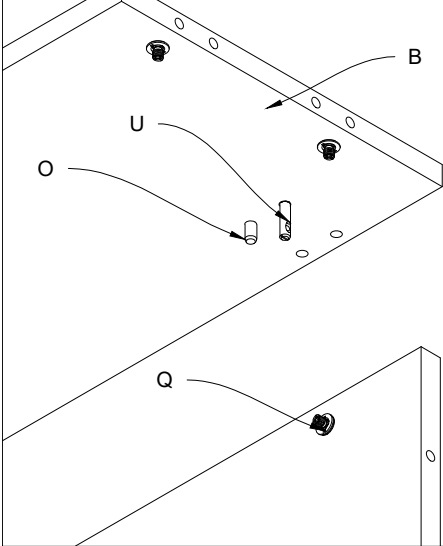
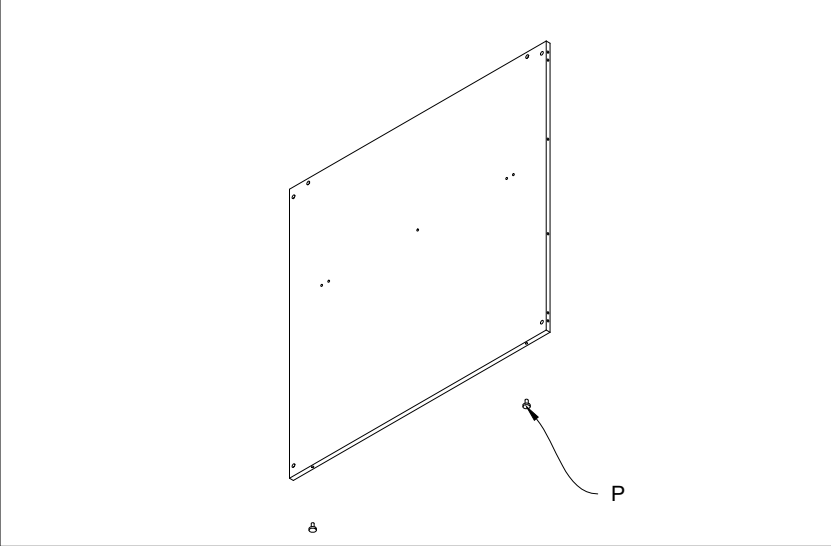


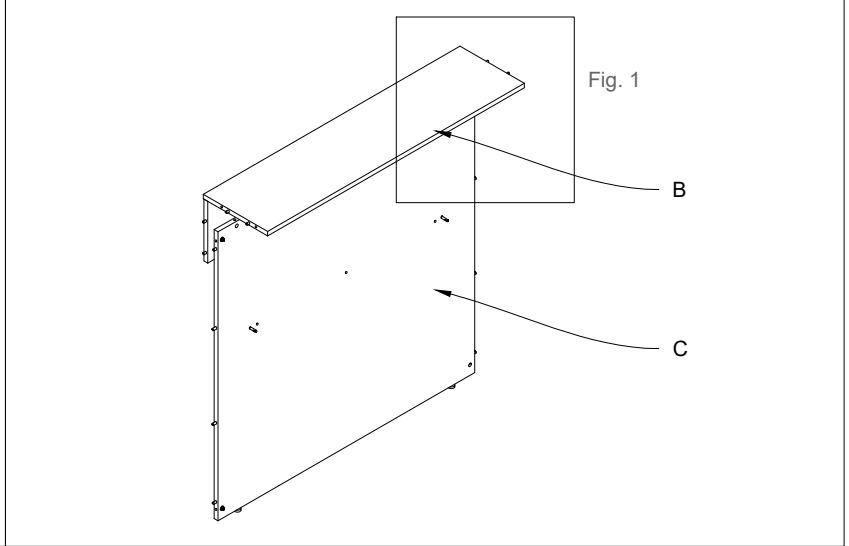
Fig.1 Unire la mensola e il frontalino (B) tramite spine (T) tiranti (Q) e barilotti (Q).
 Fig.1 Unite the shelf and frontal panel (B) by means of the wooden pins (T), tie-rods (Q) and barrels (Q).



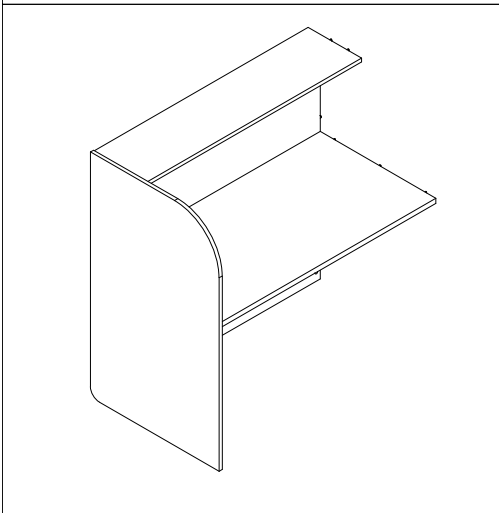
1) Posizionare i piedini (P) nei fori appositi sotto ogni elemento che poggia a terra.
 1) Position the feet (P) in the designated holes under each element resting on the floor.



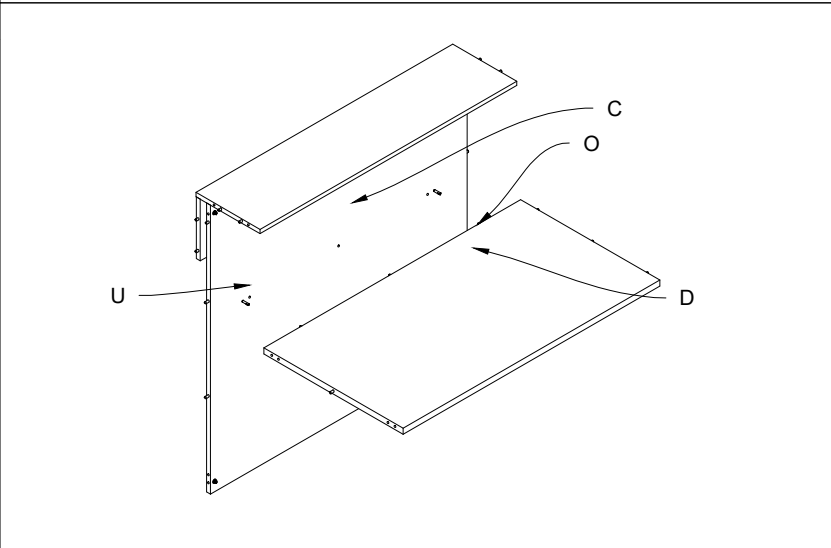
2) Posizionare la mensola (B) nel frontale reception (C) tramite le spine.
 2) Position the shelf (B) in the reception frontal panel (C) by means of the wooden pins.



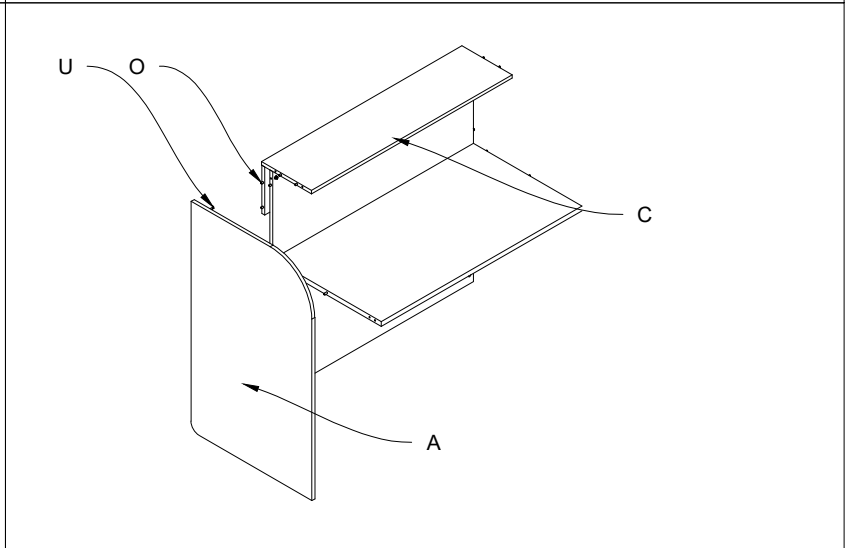
Elemento iniziale e finale reception:
 ST.0092 DX-SX - ST.0093 DX-SX - ST.0094 DX-SX
 Reception initial and final element:
 ST.0092 DX-SX - ST.0093 DX-SX - ST.0094 DX-SX



3) Posizionare il piano (D) nel frontale (C) tramite le spine (O) e i tiranti (U).
 3) Position the top (D) in the frontal panel (C) by means of the wooden pins (O) and tie-rods (U).



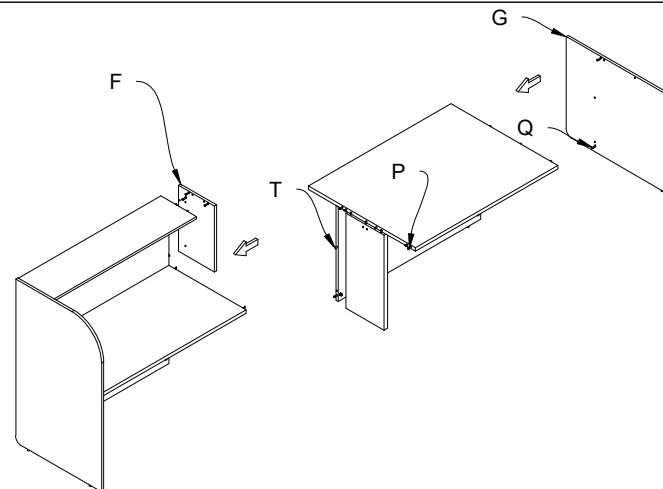
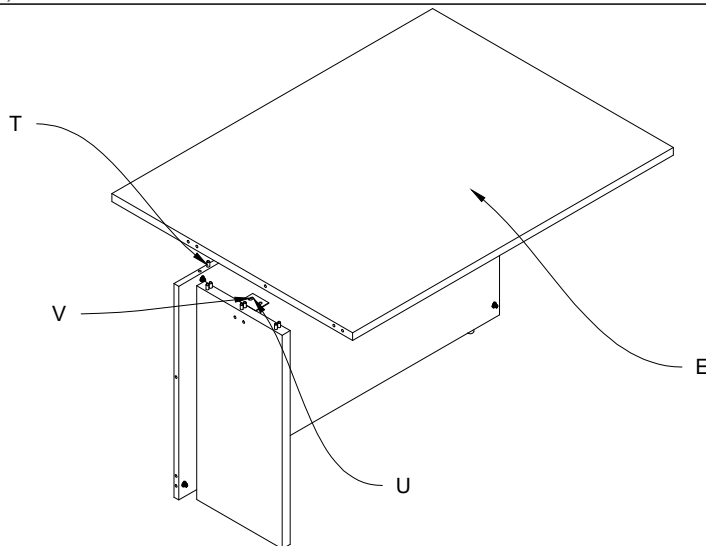
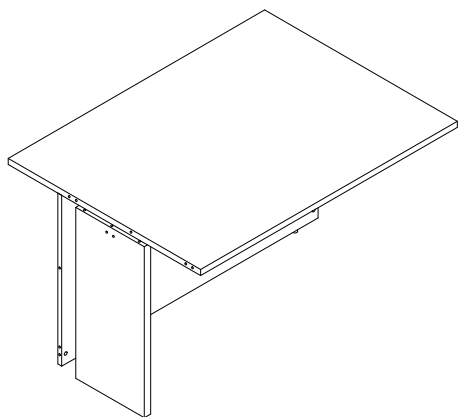
4) Unire il frontale della reception (C) con il fianco (A) tramite le spine (O) e i tiranti (U).
 4) Unite the frontal panel of the reception (C) to the side (A) by means of the wooden pins (O) and tie-rods (U).



Elemento centrale reception: ST0086 - ST.0087 - ST.0088.
 Reception central element: ST0086 - ST.0087 - ST.0088.

4) Unire il piano a sbalzo (E) con il frontale e il fianchetto condiviso tramite le staffe a "L" (U), bulloni (V), spine (T) e tiranti.
 4) Unite the overhanging top (E) to the frontal panel and intermediate side by means of the "L" shaped brackets (U), bolts (V), wooden pins (T) and tie-rods.

5) Unire l'elemento iniziale reception, l'elemento allungo, l'elemento di chiusura frontale mensola (F) e il fianco di finitura (G) tramite le spine (T), i tiranti (Q) e i tiranti doppi (P).
 5) Unite the reception initial element, extension element, frontal shelf closure element (F) and the closing side (G) by means of the wooden pins (T), tie-rods (Q) and double tie-rods (P).



6) Serrare i grani (S) nei barilotti (R).
 6) Tighten the threaded screws (S) in the barrels (R)

