
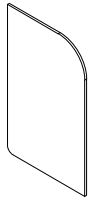
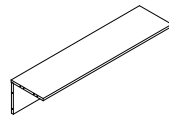
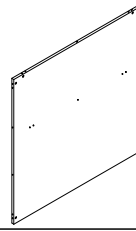
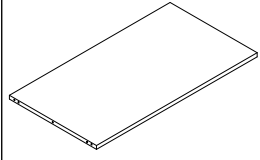

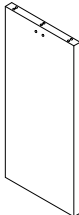









Ferramenta Hardware	Componenti Components									
Chiave esagonale Hexagonal key	n°1		Fianco (A) Side (A)		Mensola con frontalino (B) Shelf with frontal panel (B)		Frontale reception (C) Reception frontal panel (C)		Piano reception (D) Reception top (D)	
Spine 8x30 (O) Wooden pin 8x30 (O)	n°112		Gamba condivisa (E) Intermediate leg (E)							
Piedini diam. 14 (P) Feet diam. 14 (P)	n°20									
Barilotto 14x14 (Q) Barrel 14x14(Q)	n°75									
Grano 8x8 (S) Threaded screw 8x8 (S)	n°75									
Tirante doppio 7x52 (T) Double tie-rod 7X52 (T)	n°18									
Tirante 7x33.5 (U) Tie-rod 7x33.5 (U)	n°57									
Bullone 6x16(V) Bolt 6x16 (V)	n°24									
Staffa a "L"(Z) "L" shaped bracket (Z)	n°6									

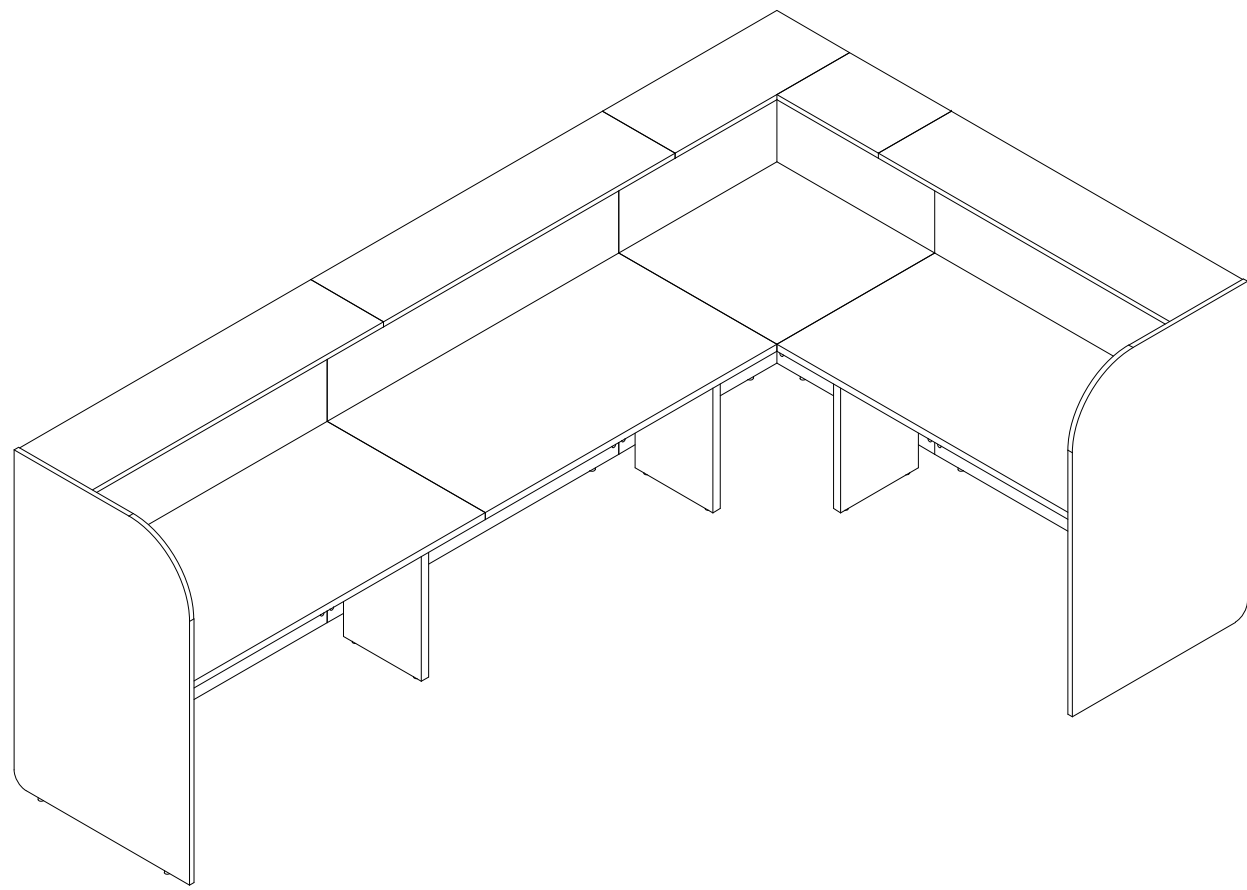
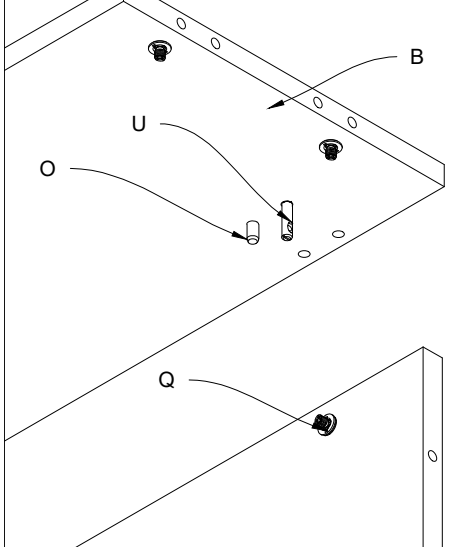
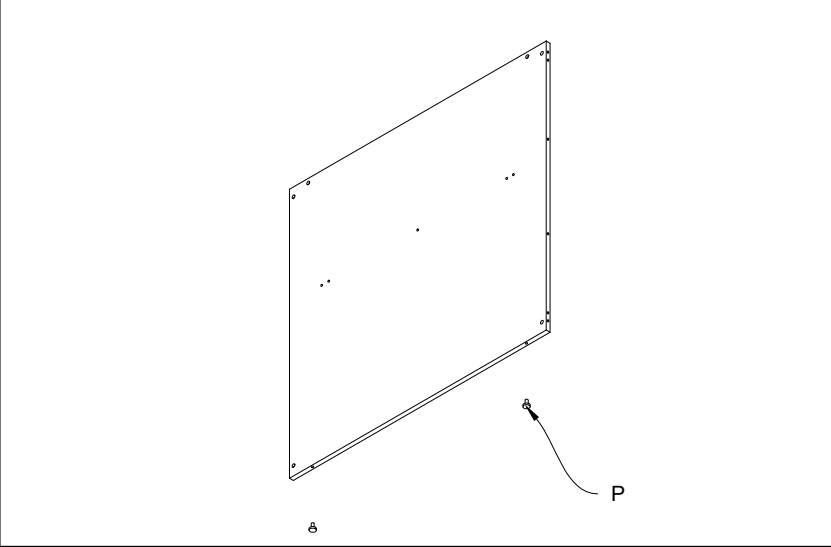


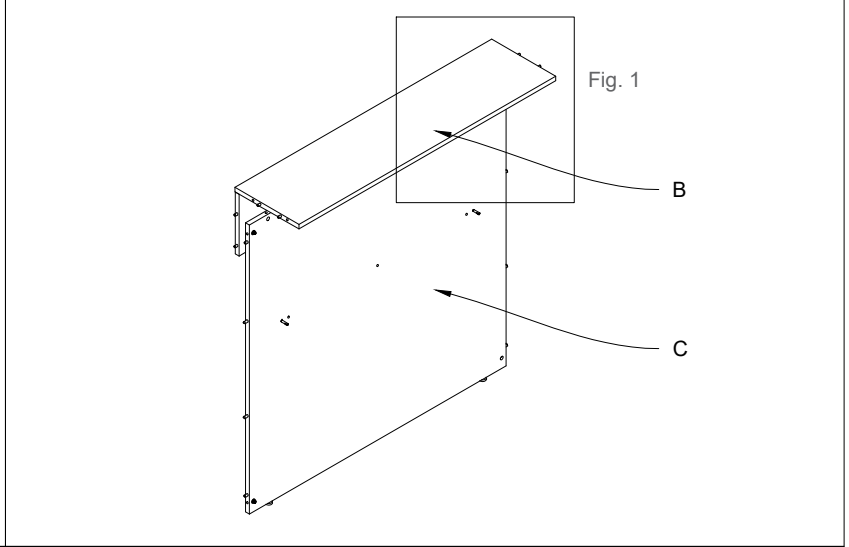
Fig.1 Unire la mensola e il frontalino (B) tramite spine (O) tiranti (U) e barilotti (Q).  
 Fig.1 Unite the shelf and frontal panel (B) by means of the wooden pins (O), tie-rods (U) and barrels (Q).



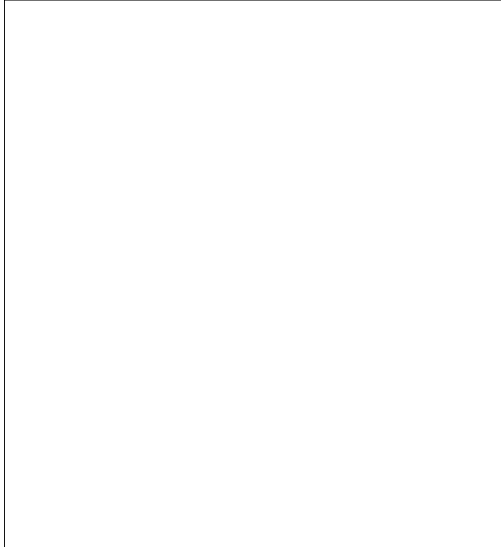
1) Posizionare i piedini (P) nei fori appositi sotto ogni elemento che poggia a terra.  
 1) Position the feet (P) in the designated holes under each element resting on the floor.



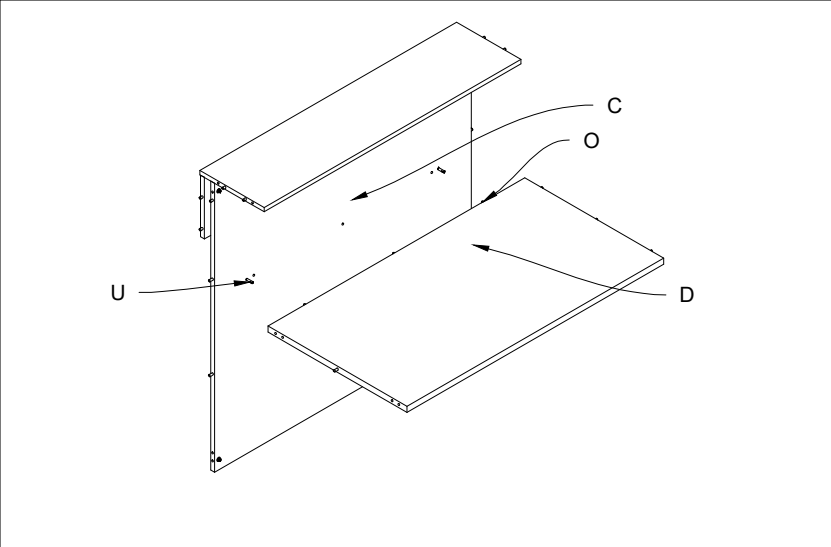
2) Posizionare la mensola (B) nel frontale reception (C) tramite le spine.  
 2) Position the shelf (B) in the reception frontal panel (C) by means of the wooden pins.



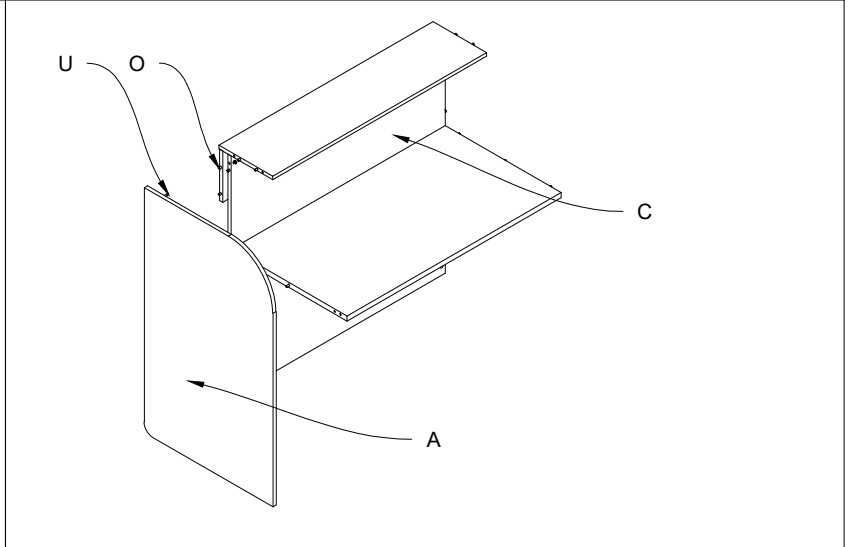
3) Posizionare il piano (D) nel frontale (C) tramite le spine (O) e i tiranti (U).  
 3) Position the top (D) in the frontal panel (C) by means of the wooden pins (O) and tie-rods (U)



4) Unire il frontale della reception (C) con il fianco (A) tramite le spine (O) e i tiranti (U) .  
 4) Unite the frontal panel of the reception (C) to the side (A) by means of the wooden pins (O) and tie-rods (U)



4) Unire il frontale della reception (C) con il fianco (A) tramite le spine (O) e i tiranti (U) .  
 4) Unite the frontal panel of the reception (C) to the side (A) by means of the wooden pins (O) and tie-rods (U)



Elemento iniziale reception: ST0080 - ST.0081 - ST.0082.  
 Reception initial element: ST.0080 - ST.0081 - ST.0082

4) Unire il secondo fianco (A) al resto della reception tramite i tiranti (U) e le spine (O). Infine serrare i grani (S).  
 4) Unite the second side (A) to the rest of the reception by means of the tie-rods (U) and wooden pins (O), tighten the threaded screws (S).

5) Inserire la gamba condivisa (E) nel piano (D) tramite la staffa (Z) e le spine (O).  
 5) Insert the intermediate leg (E) in the top (D) by means of the bracket (Z) and wooden pins (O)

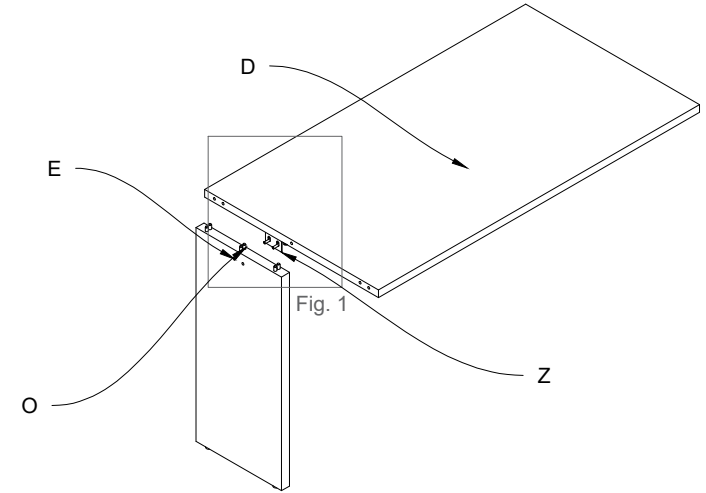
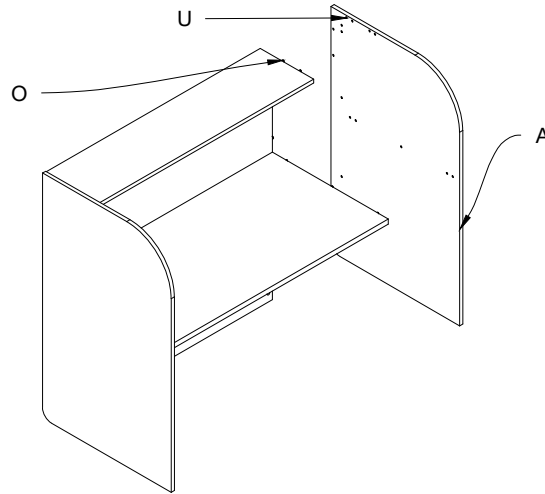
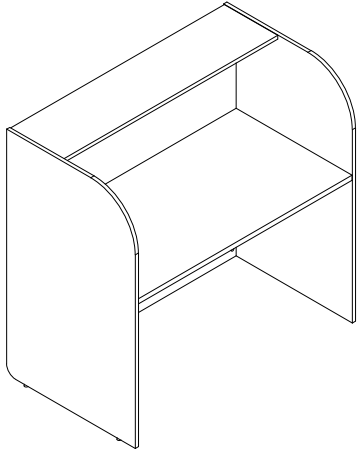
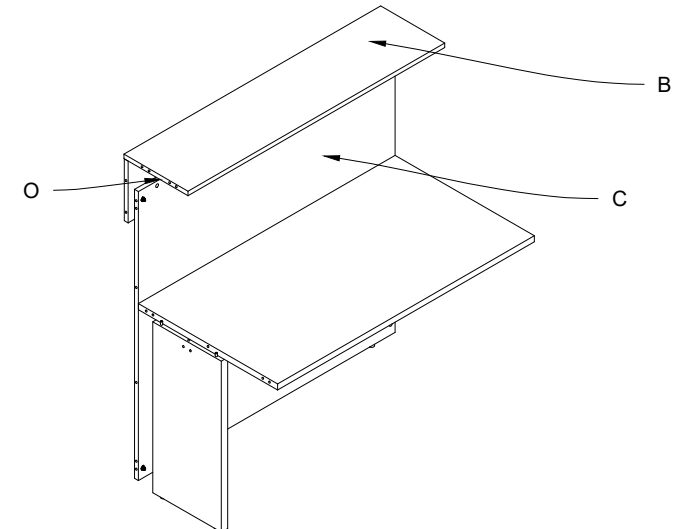
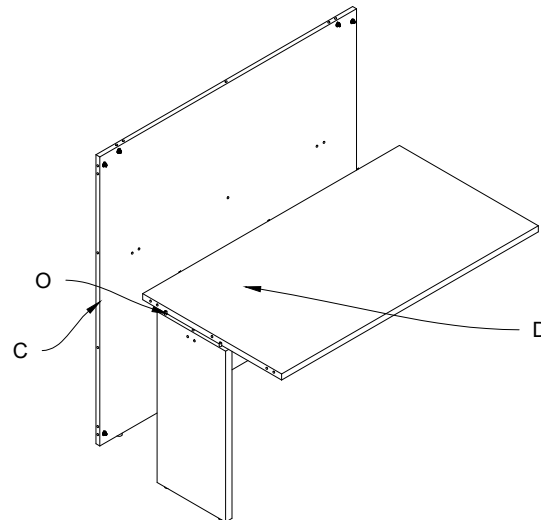
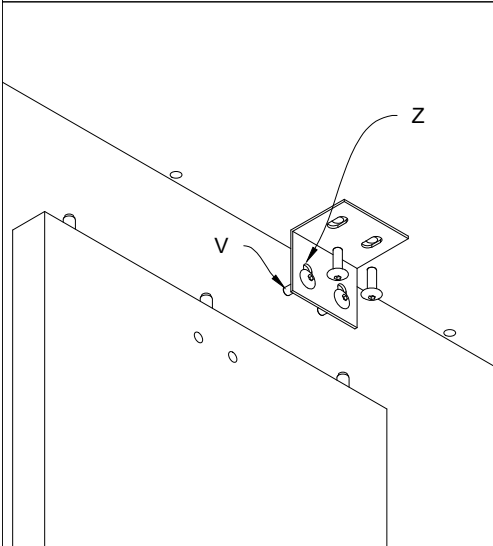


Fig.1 Fissare la staffa (Z) tramite i bulloni (V).  
 Fig.1 Fasten the bracket (Z) by means of the bolts (V)

6) Inserire il frontale reception (C) nel piano (D) tramite le spine (O)  
 6) Insert the reception frontal panel (C) in the top (D) by means of the wooden pins (O)

7) Posizionare la mensola (B) nel frontale reception (C) tramite le spine (O).  
 7) Position the shelf (B) in the reception frontal panel (C) by means of the wooden pins (O)



Elemento allungo reception: ST0083 - ST.0084 - ST.0085.  
 Reception extension element: ST.0083 - ST.0084 - ST.0085

8) Inserire la gamba condivisa (E) nel piano (D) tramite la staffa (Z) e le spine (O).  
 8) Insert the intermediate leg (E) in the top (D) by means of the bracket (Z) and wooden pins (O)

9) Inserire i frontali reception (C) nel piano (D) tramite le spine (O)  
 9) Insert the reception frontal panels (C) in the top (D) by means of the wooden pins (O)

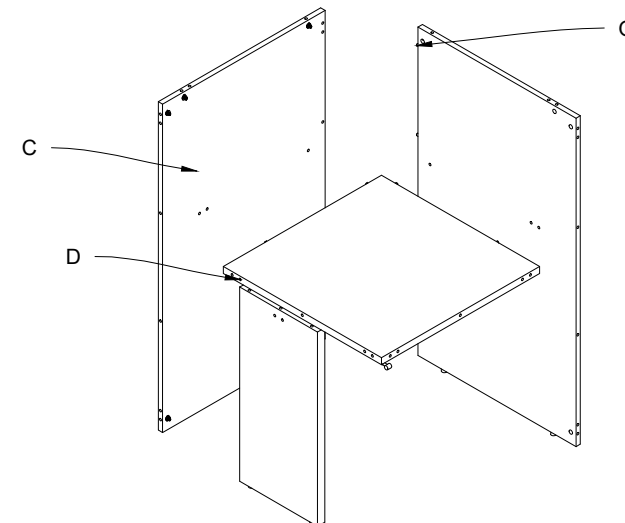
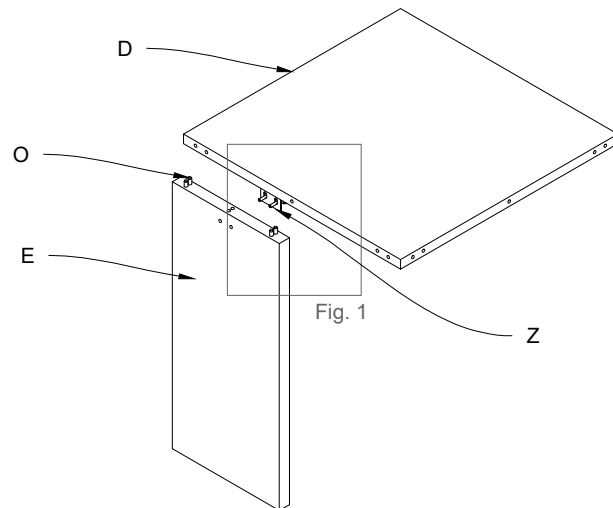
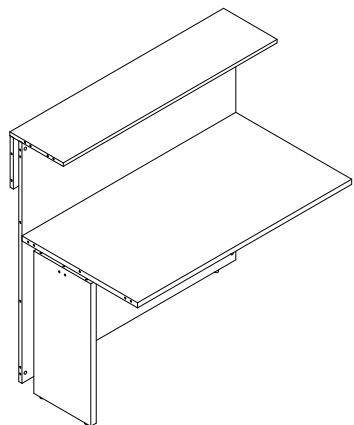


Fig.1 Fissare la staffa (Z) tramite i bulloni (V).  
 Fig.1 Fasten the bracket (Z) by means of the bolts (V)

10) Posizionare la mensola (B) nel frontale reception (C) tramite le spine (O).  
 10) Position the shelf (B) in the reception frontal panel (C) by means of the wooden pins (O)

Elemento angolo esterno reception: ST0090DX - ST.0090SX.  
 Reception external angle element: ST.0090DX - ST.0090SX

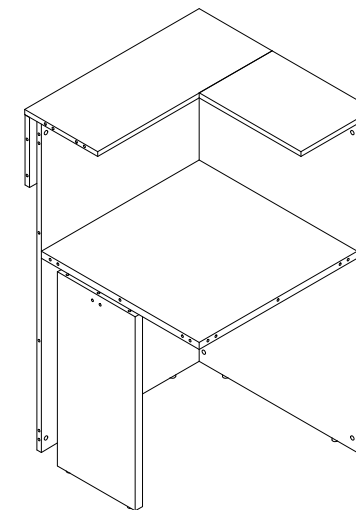
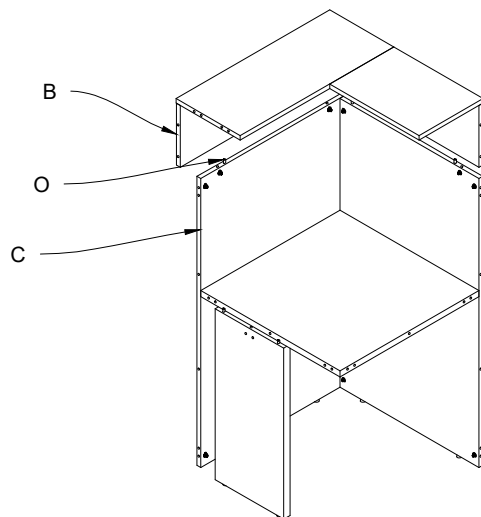
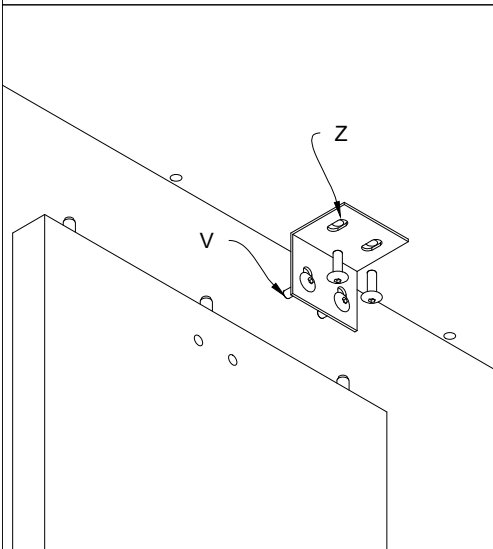
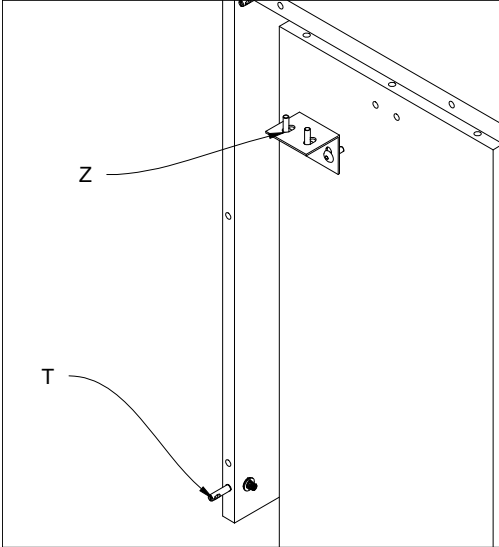
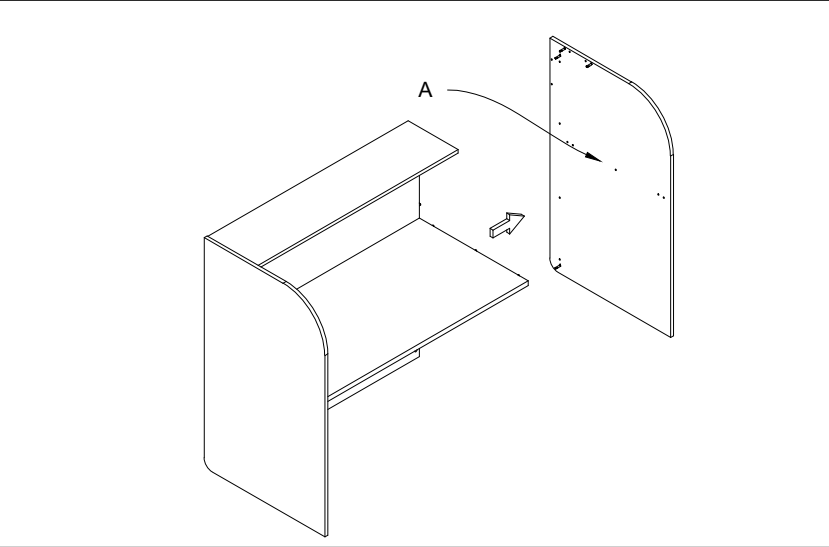


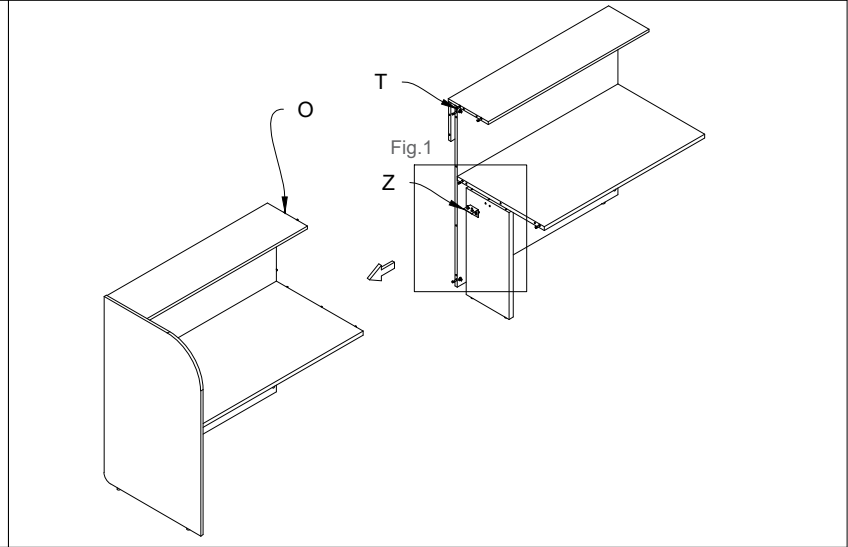
Fig.1 unire i due elementi tramite i tiranti doppi (T) e la staffa (Z).  
 Fig.1 Unite the two elements by means of the double tie-rods (T) and bracket (Z)



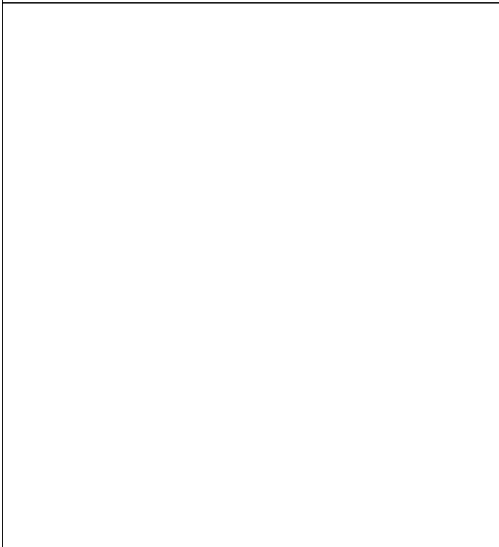
11) Estrarre il fianco (A) dall'elemento iniziale.  
 11) Extract the side (A) from the initial element



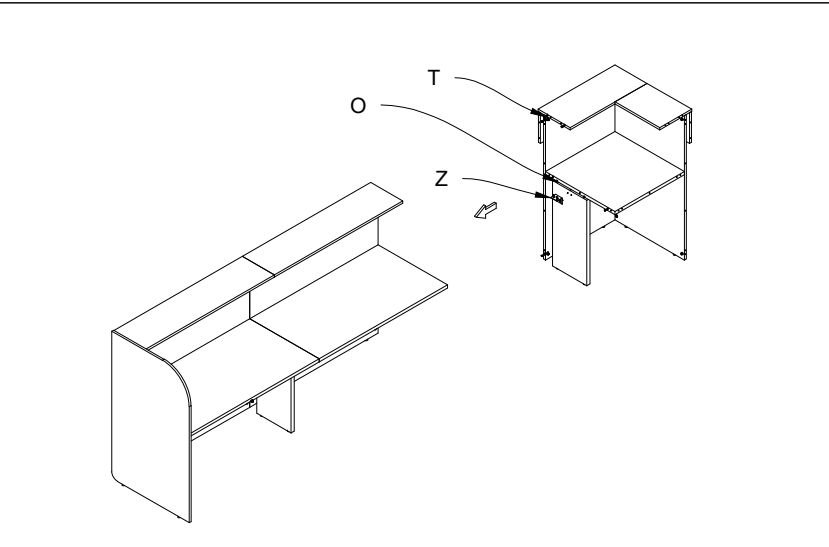
12) Unire l'elemento iniziale reception con l'allungo tramite le spine (O), i tiranti doppi (T) e la staffa (Z).  
 12) Unite the reception initial element to the extension by means of the wooden pins (O), double tie-rods (T) and bracket (Z)



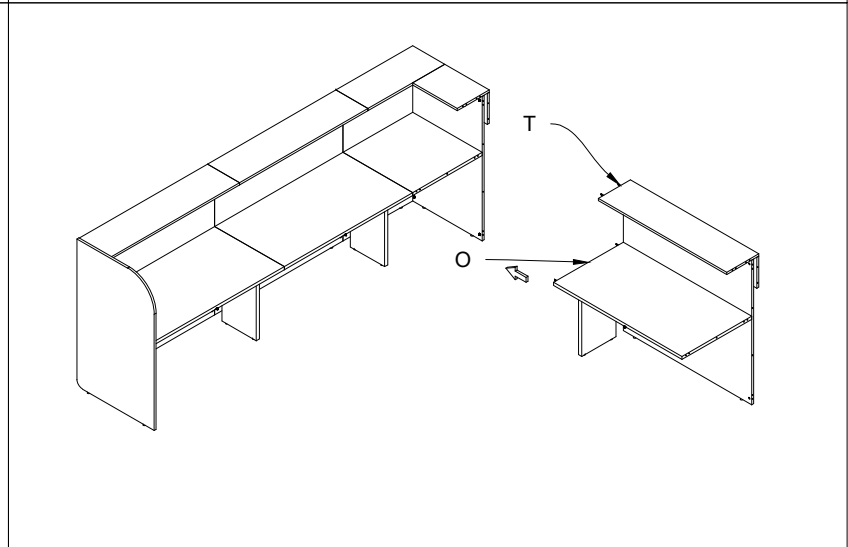
13) Unire l'elemento ad angolo esterno reception con l'allungo tramite le spine (O), i tiranti doppi (T) e la staffa (Z).  
 13) Unite the reception external angle element to the extension by means of the wooden pins (O), double tie-rods (T) and bracket (Z)



14) Unire l'elemento allungo con l'elemento ad angolo esterno tramite le spine (O) e i tiranti doppi (T).  
 14) Unite the extension element to the external angle element by means of the wooden pins (O) and double tie-rods (T)



14) Unire l'elemento allungo con l'elemento ad angolo esterno tramite le spine (O) e i tiranti doppi (T).



15) Fissare il fianco (A) dell'elemento iniziale all'allungo tramite i tiranti (U) e le spine (O). Infine serrare i grani (S).

15) Fasten the side (A) of the initial element to the extension by means of the tie-rods (U) and wooden pins (O), tighten the threaded screws (S)

