
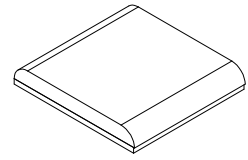
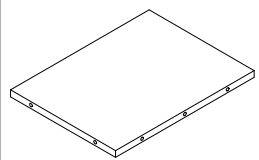
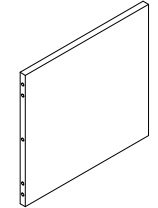
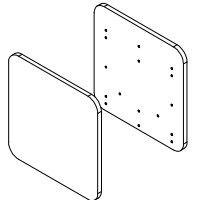

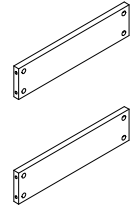






Ferramenta Hardware	Componenti Components									
Chiave esagonale Hexagonal key	n°1			Cuscino (A) Cushion (A)		Base (B) Base (B)		Elemento 2 (C) Element 2 (C)		Fianchi (D) Sides (D)
Spina in legno 8x30 (T) Wooden pin 8x30 (T)	n° 22			Elementi 1 (E) Elements 1 (E)						
Barilotto 14x14 (U) Barrel 14x14 (U)	n°16									
Tirante 7x33.5 (V) Tie-rod 7x33.5 (V)	n°20									
Grano 8x8 (Z) Threaded screw 8x8 (Z)	n°16									
Feltri Felt pads	n°4									

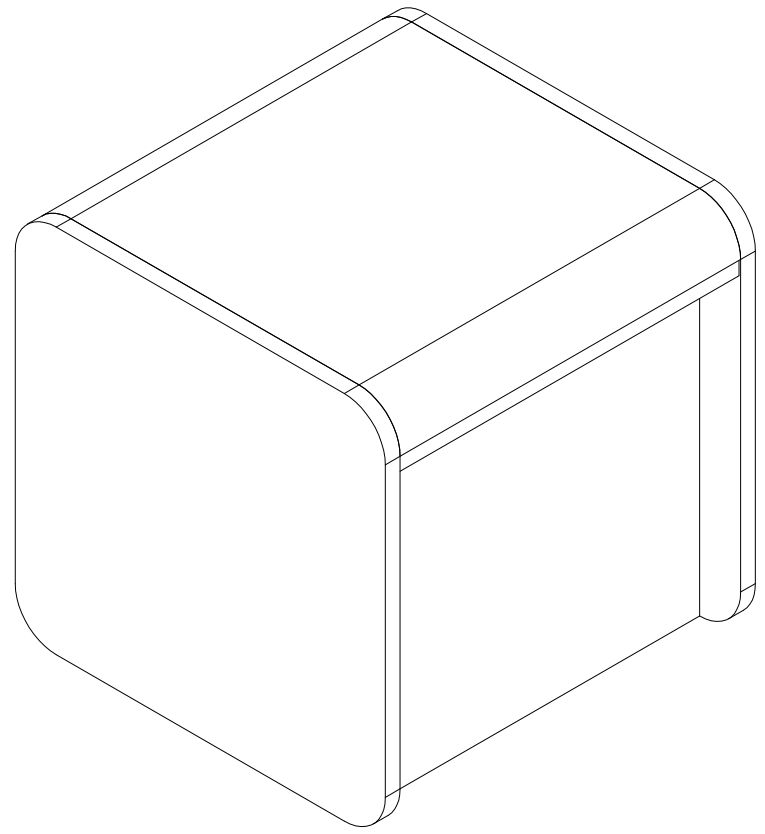


Fig.1 Serrare i grani (Z) nei barilotti (U).
Fig.1 Tighten the threaded screws (Z) in the barrels (U).

1) Posizionare un fianco (D) sul pavimento e inserire gli elementi 2 (C) tramite le spine (T) e tiranti (V).
1) Position a side on the floor (D), insert the elements 2 (C) by means of the wooden pins (T) and tie-rods (V).

2) Inserire la base (B) tra i due elementi 2 (C) e il fianco (D) tramite le spine (T).
2) Insert the base (B) between the two elements 2 (C) and side (D) by means of the wooden pins (T).

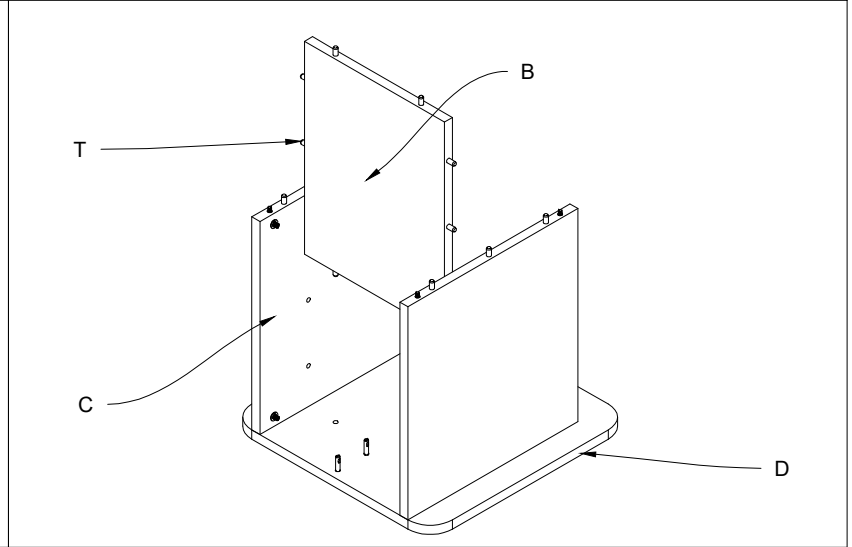
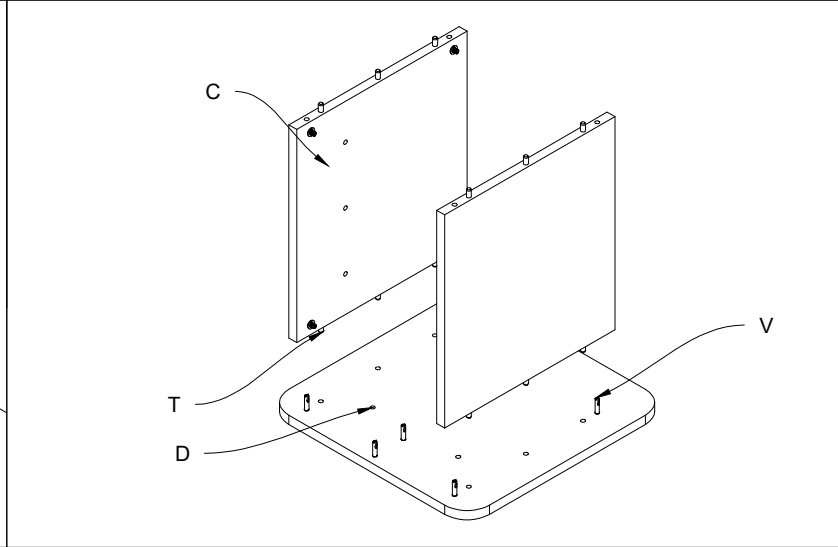
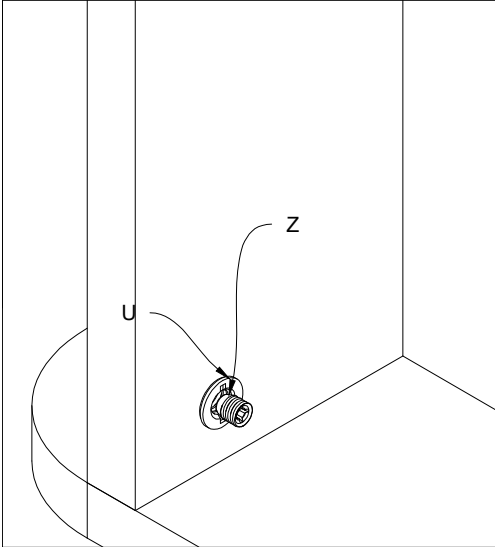


Fig.1 Inserire il fianco (D) tramite i tiranti (V) e spine (T).
Fig.1 Insert the side (D) by means of the tie-rods (V) and wooden pins (T).

3) Unire gli elementi 1 (E) al fianco (D) tramite i tiranti (V) e barilotti (U).
3) Unite elements 1 (E) to the side (D) by means of the tie-rods (V) and barrels (U).

4) Inserire il secondo fianco (D) alla struttura tramite le spine (T) e i tiranti (V).
4) Insert the second side (D) to the structure by means of the wooden pins (T) and tie-rods (V).

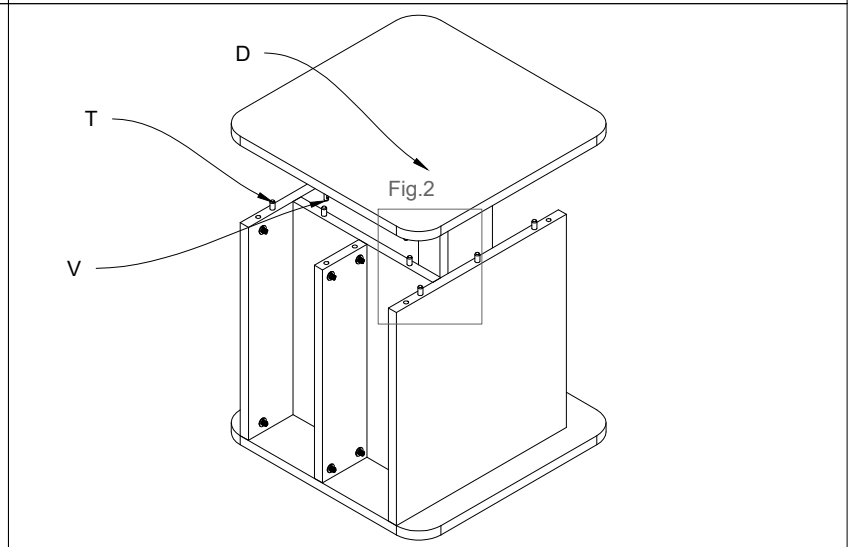
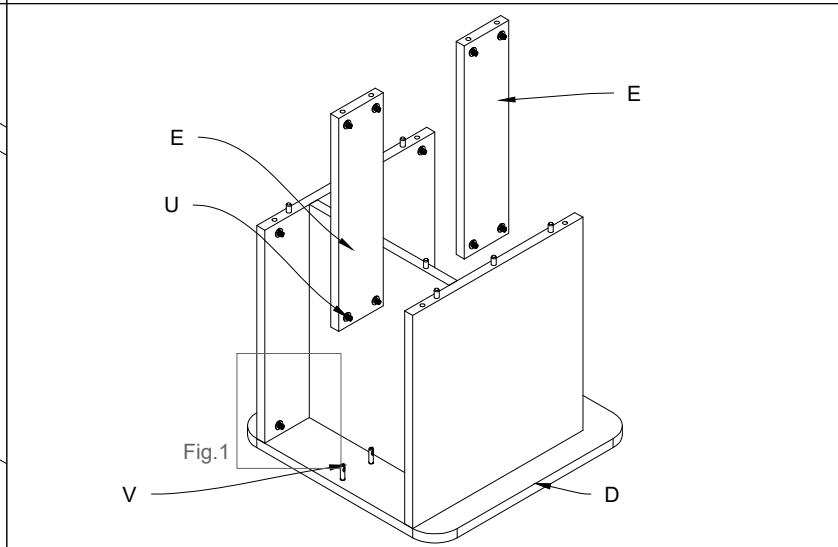
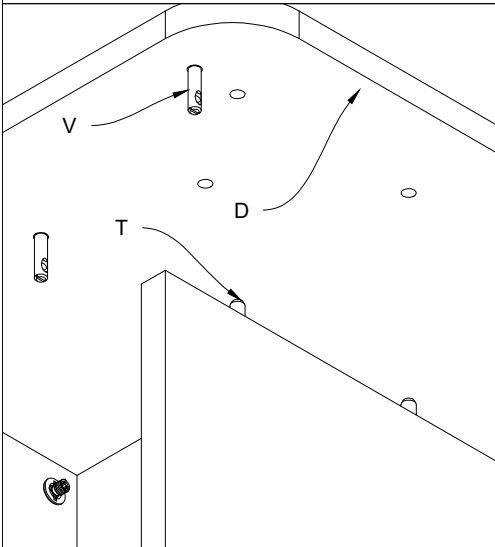


Fig.1 Unire i tiranti (V) al cuscino (A).
Fig.1 Unite the tie-rods (V) to the cushion (A).

5) Posizionare il cuscino (A) all'interno dei due fianchi (D) e usare i tiranti (V) come perni per non farlo traslare.

5) Position the cushion (A) between the two sides (D), use the tie-rods (V) as pins to prevent it from moving.

