
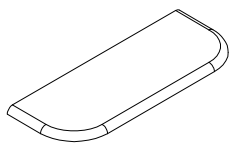
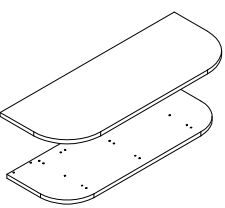
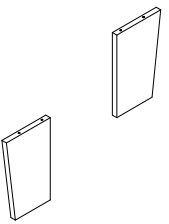

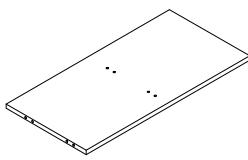
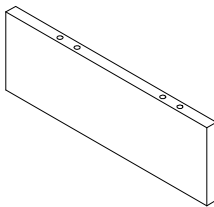
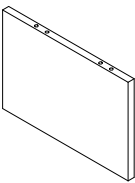







Ferramenta Hardware	Componenti Components								
Chiave esagonale Hexagonal key	n°1		Cuscino (A) Cushion (A)		Base e cappello (B) Base and top (B)		Elementi 1 (C) Elements 1 (C)		Fianchi (D) Sides (D)
Spina in legno 8x50 (S) Wooden pin 8x50 (S)	n°4		Ripiano (E) Shelf (E)		Fianchetto (F) Small side (F)		Fianco centrale (G) Central side (G)		Retro (H) Back panel (H)
Spina in legno 8x30 (T) Wooden pin 8x30 (T)	n°33								
Barilotto 14x14 (U) Barrel 14x14 (U)	n°16								
Tirante 7x33.5 (V) Tie-rod 7x33.5 (V)	n°16								
Grano 8x8 (Z) Threaded screw 8x8 (Z)	n°16								
Feltri Felt pads	n°4								

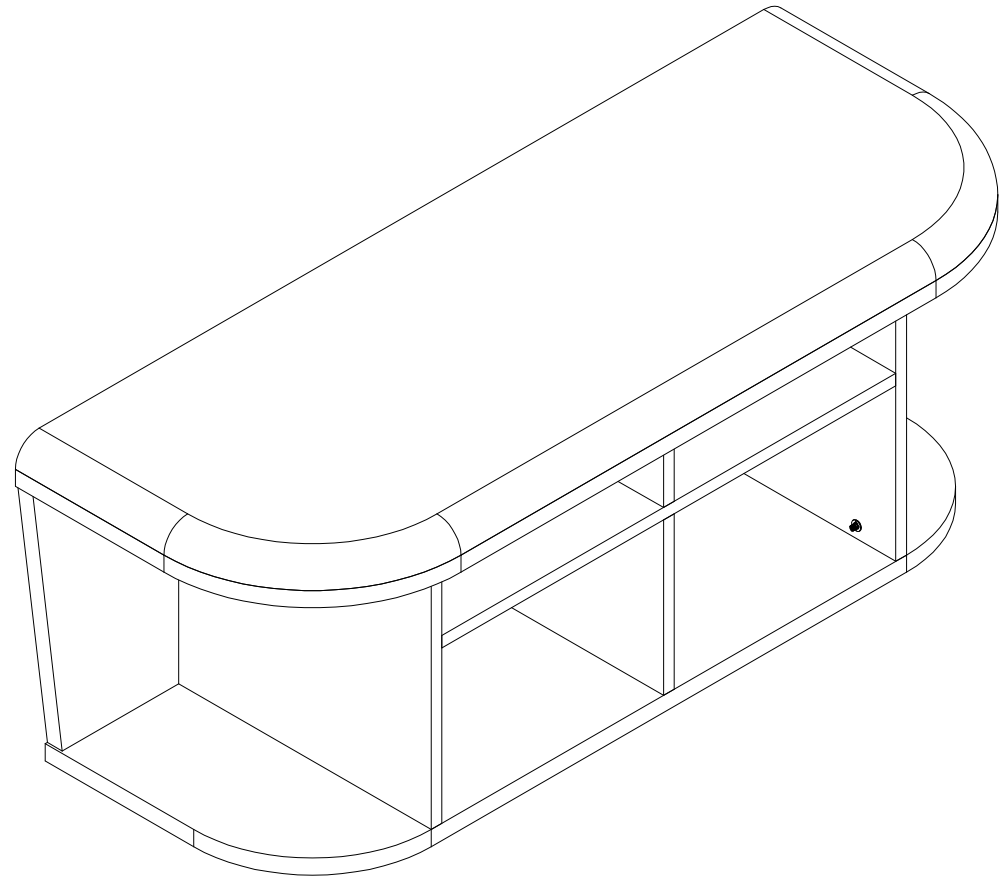
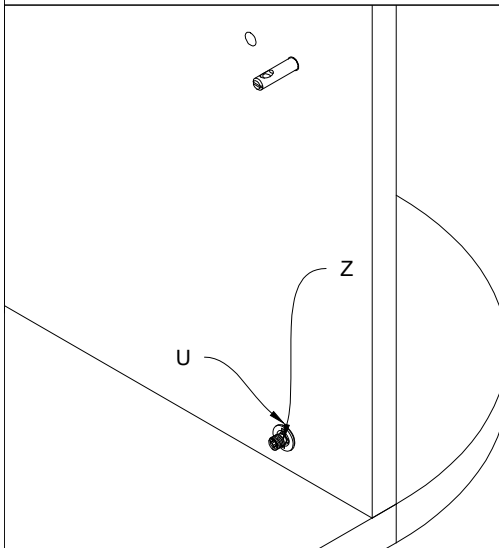
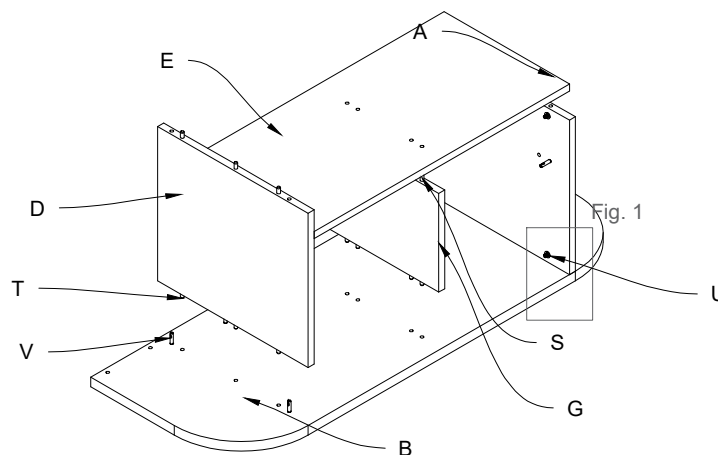


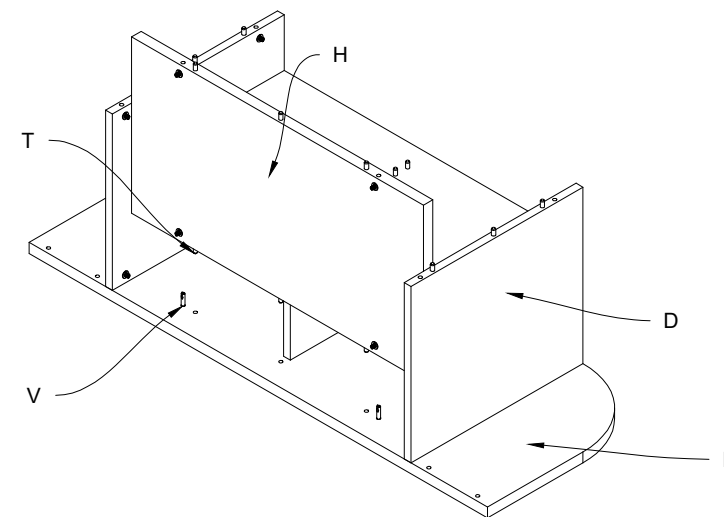
Fig.1 Serrare i grani (Z) nei barilotti (U).
Fig.1 Tighten the threaded screws (Z) in the barrels (U).



1) Posizionare la base (B) sul pavimento e inserire i fianchi (D e G) e il ripiano (E) tramite spine (T e S) tiranti (V) e barilotti (U).
1) Position the base (B) on the floor and insert the sides (D and G) and shelf (E) by means of the wooden pins (T and S), tie-rods (V) and barrels (U).

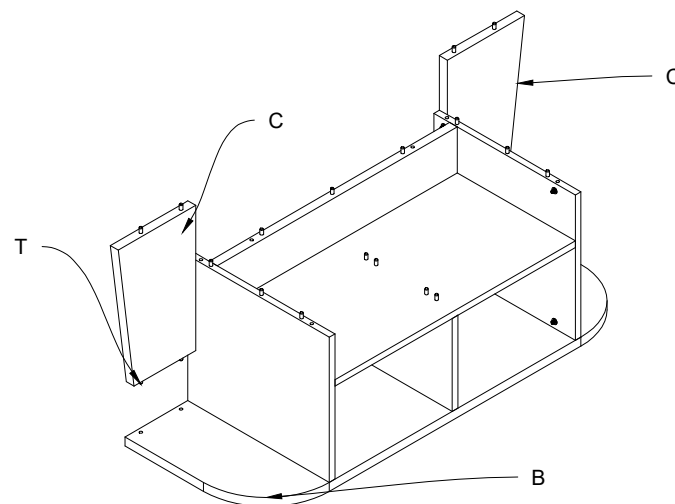


2) Inserire il retro (H) tra i fianchi esterni (D) e la base (B) ed unirlo con le spine (T) e i tiranti (V).
2) Insert the back panel (H) between the external sides (D) and base (B), unite it by means of the wooden pins (T) and tie-rods (V).



3) Unire gli elementi 1 (C) alla base (B) con le spine (T)

3) Unite the elements 1 (C) to the base (B) by means of the wooden pins (T).



4) Inserire il fianchetto (F) sopra al ripiano (E) in corrispondenza delle spine (S)

4) Insert the small side (F) on top of the shelf (E) in function of the wooden pins (S).

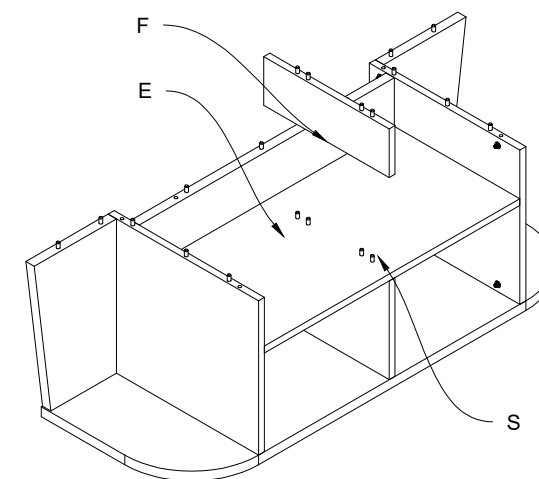


Fig.1 Serrare i grani (Z) nei barilotti (U).
Fig.1 Tighten the threaded screws (Z)
in the barrels (U).

5) Posizionare il cappello (B) in corrispondenza dei tiranti (V) e delle spine (T)
5) Position the top (B) in function of the tie-rods (V) and wooden pins (T).

6) Posizionare il cuscino (A) sopra il cappello (B).
6) Position the cushion (A) on top of the top (B).

