

Fig.1 Serrare i grani (Z) nei barilotti (U).
Fig.1 Tighten the threaded screws (Z) in the barrels (U).

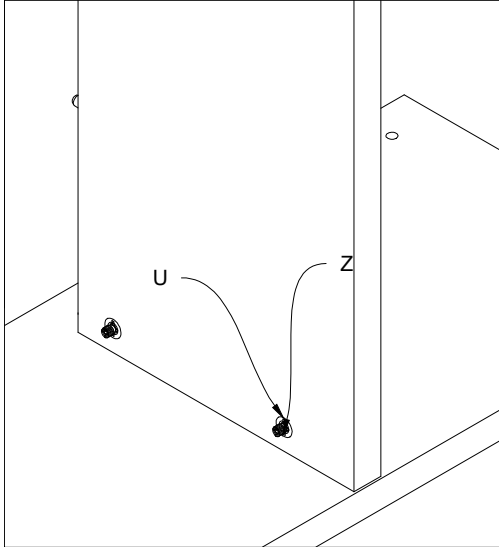
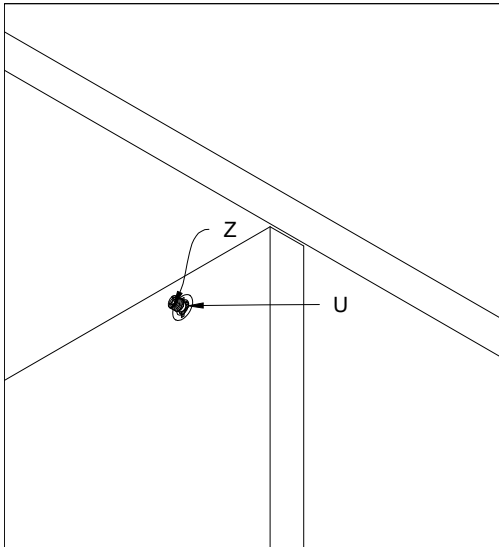
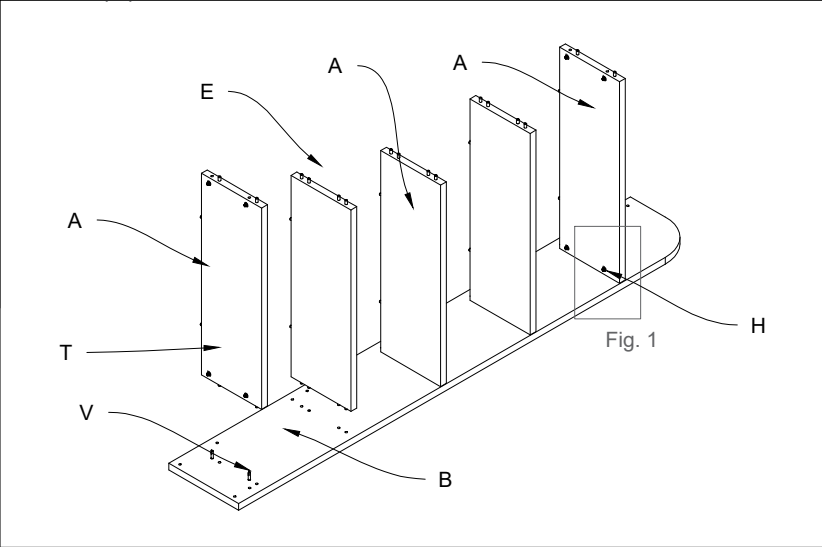


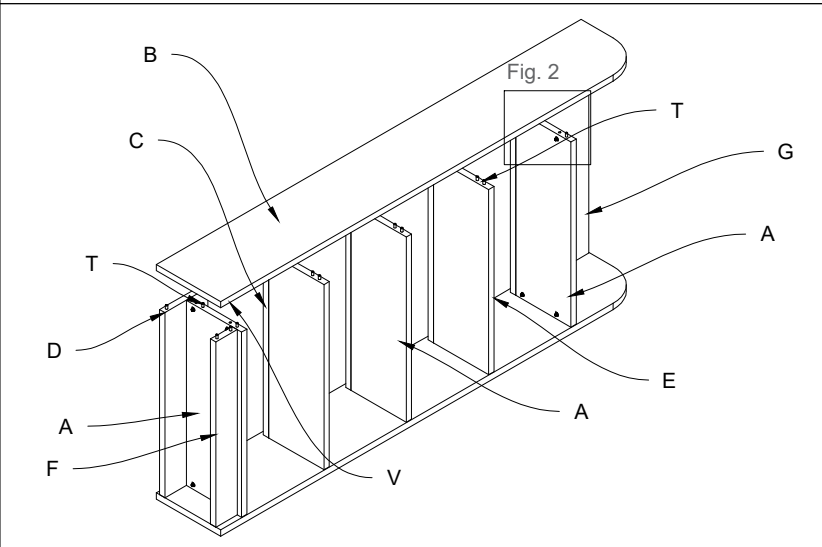
Fig.1 Serrare i grani (Z) nei barilotti (U).
Fig.1 Tighten the threaded screws (Z) in the barrels (U).



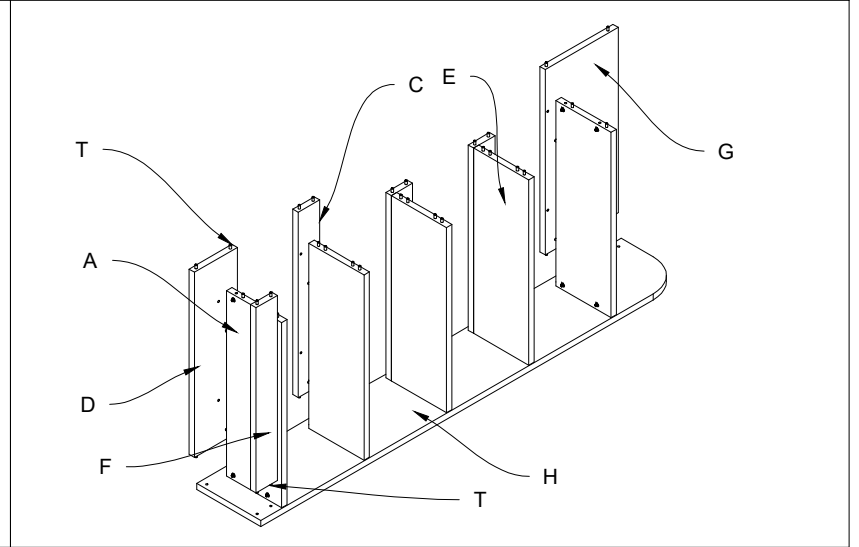
1) Posizionare il fianco (H) sul pavimento inserendo il ripiano mobile (E) e quello strutturale (A) tramite spine (T) tiranti (V) e barilotti (U).
1) Position the side (B) on the floor, insert the structural and adjustable shelves (A and E) by means of the wooden pins (T), tie-rods (V) and barrels (U).



3) Unire il fianco (B) con i ripiani (A e E) gli elementi (C, G e D) e la base (F) tramite spine (T) e tiranti (V).
3) Unite the side (B) to the shelves (A and E), elements (C, G and D) and base (F) by means of the wooden pins (T) and tie-rods (V).



2) Posizionare l'elemento 1 (C), l'elemento 2 (D), l'elemento 3 (G) e la base (F) nel fianco (H) e nei ripiani (A e E) tramite le spine (T).
2) Position element 1 (C), element 2 (D), element 3 (D) and the base (F) in the side (B) and shelves (A and E) by means of the wooden pins (T).



4) Ruotare la libreria e aggiungere i tiranti (V) nel fianco intermedio (H).
4) Rotate the bookcase and add the tie-rods (V) in the intermediate side (H).

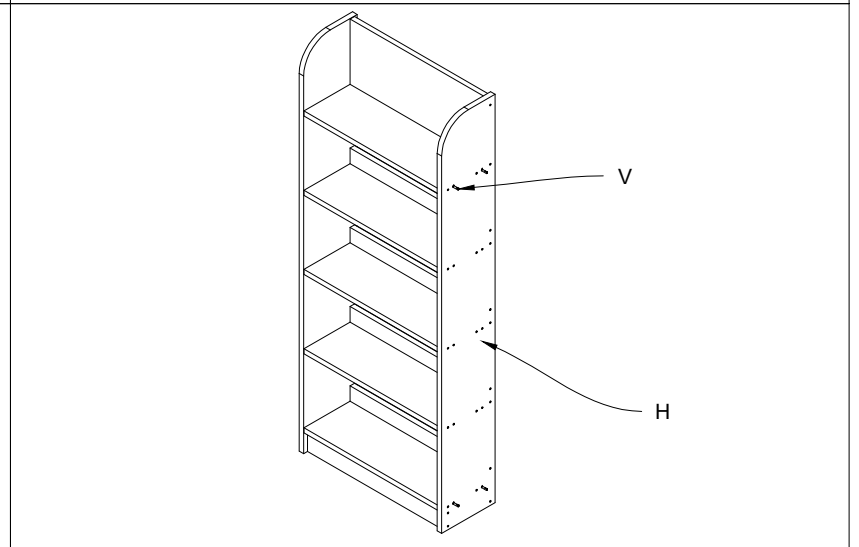
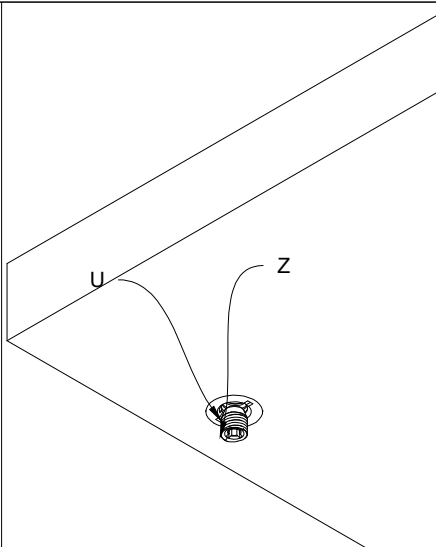
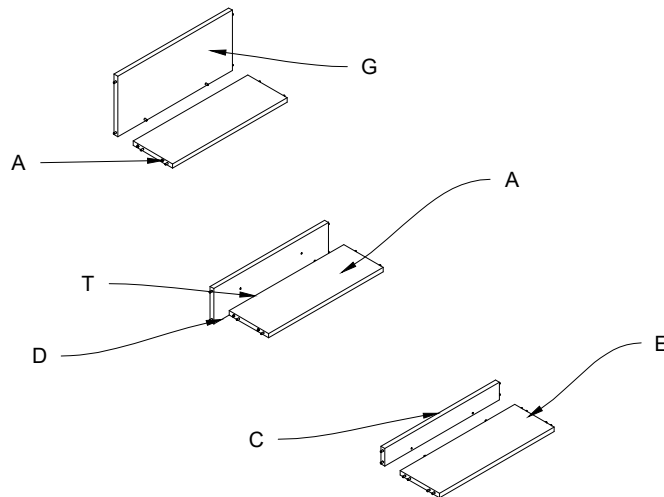


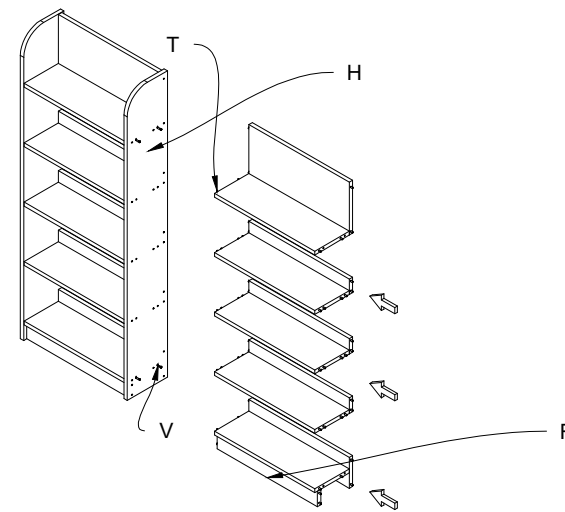
Fig.1 Serrare i grani (Z) nei barilotti (U).
Fig.1 Tighten the threaded screws (Z) in the barrels (U).



5) Assemblare i ripiani (A e E) e gli elementi (C,D e G) con le spine (T)
5) Assemble the shelves and elements (C,D and G) by means of the wooden pins (T)



6) Unire i ripiani montati e la base (F) al fianco intermedio (H) tramite spine (T) e tiranti (V).
6) Unite the assembled shelves and base (F) to the intermediate side (H) by means of the wooden pins (T) and tie-rods (V).



7) Unire il fianco (B) con i ripiani (A e E) gli elementi (C, G e D) e la base (F) tramite spine (T).
7) Unite the side (B) to the shelves (A and E), elements (C, G and D) and base (F) by means of the wooden pins (T).

