

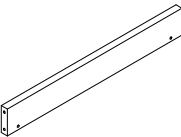
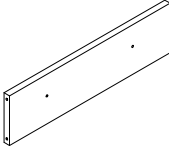

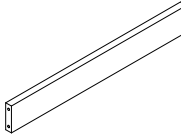
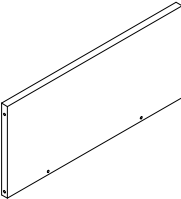






Schema di montaggio Assembly diagram

Ferramenta Hardware	Componenti Components								
Chiave esagonale Hexagonal key	n°1		Ripiano strutturale (A) Structural shelf (A)		Fianchi (B) Sides (B)		Elemento 1 (C) Element 1 (C)		Elemento 2 (D) Element 2 (D)
Spina in legno 8x30 (T) Wooden pin 8x30 (T)	n° 62		Ripiano mobile (E) Adjustable shelf (E)		Base (F) Base (F)		Elemento 3 (G) Element 3 (G)		
Barilotto 14x14 (U) Barrel 14x14 (U)	n°12								
Tirante 7x33.5 (V) Tie-rod 7x33.5 (V)	n°12								
Grano 8x8 (Z) Threaded screw 8x8 (Z)	n°12								
Feltri Felt pads	n°4								

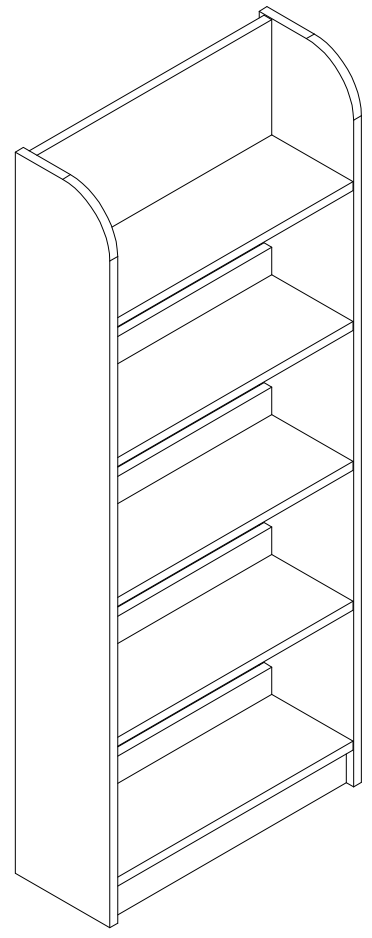


Fig.1 Serrare i grani (Z) nei barilotti (U).
Fig.1 Tighten the threaded screws (Z) in the barrels (U).

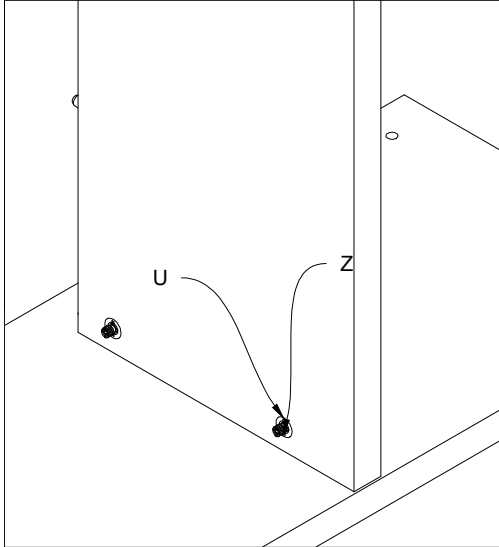
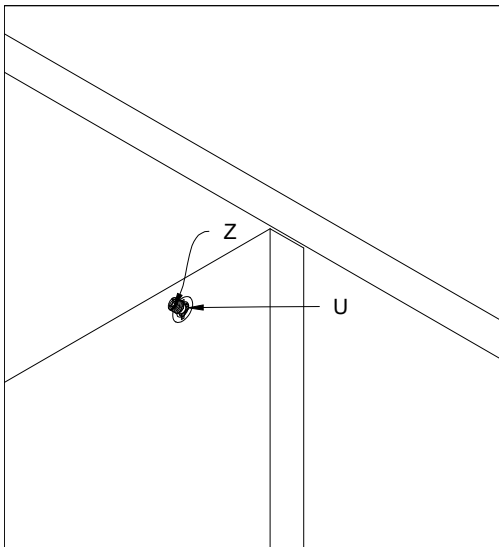
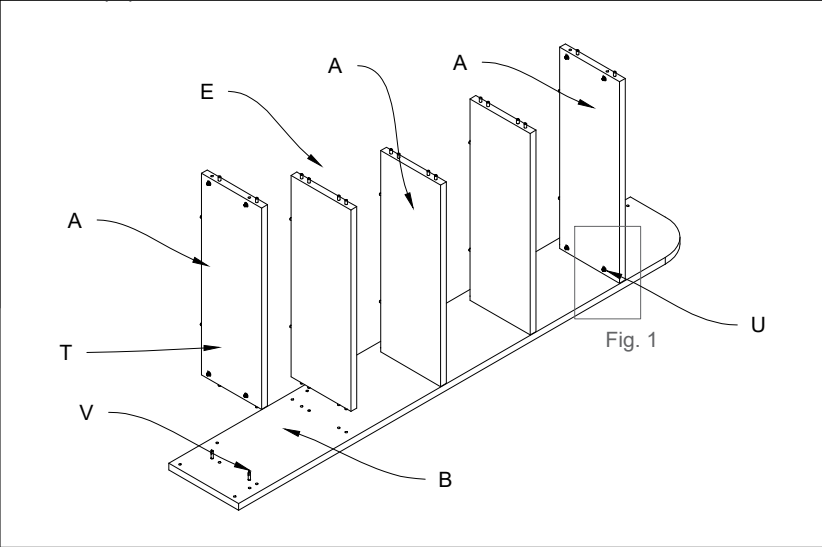


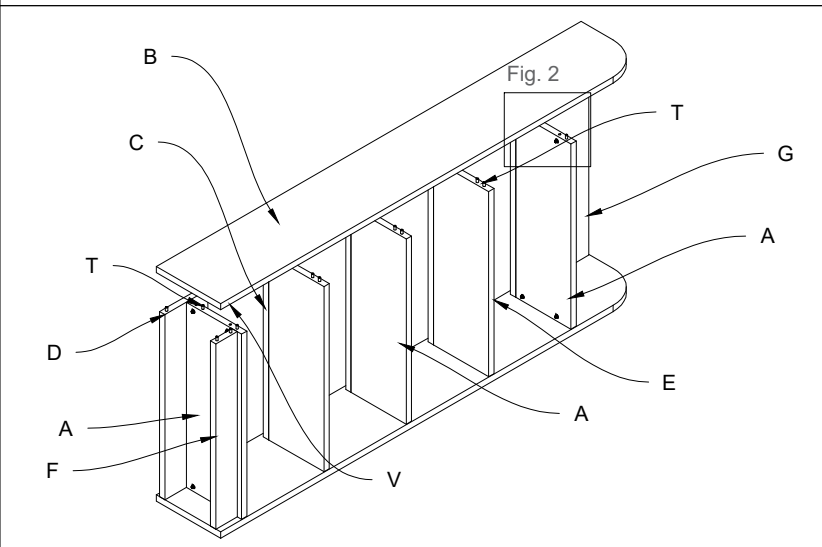
Fig.1 Serrare i grani (Z) nei barilotti (U).
Fig.1 Tighten the threaded screws (Z) in the barrels (U).



1) Posizionare il fianco (B) sul pavimento inserendo il ripiano mobile (E) e quello strutturale (A) tramite spine (T) tiranti (V) e barilotti (U).
1) Position the side (B) on the floor, insert the structural and adjustable shelves (A and E) by means of the wooden pins (T), tie-rods (V) and barrels (U).



3) Unire il fianco (B) con i ripiani (A e E) gli elementi (C, G e D) e la base (F) tramite spine (T) e tiranti (V).
3) Unite the side (B) to the shelves (A and E), elements (C, G and D) and base (F) by means of the wooden pins (T) and tie-rods (V).



2) Posizionare l'elemento 1 (C), l'elemento 2 (D), l'elemento 3 (G) e la base (F) nel fianco (B) e nei ripiani (A e E) tramite le spine (T).
2) Position element 1 (C), element 2 (D), element 3 (D) and the base (F) in the side (B) and shelves (A and E) by means of the wooden pins (T).

