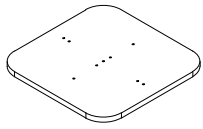
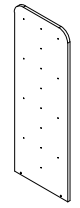

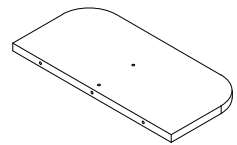



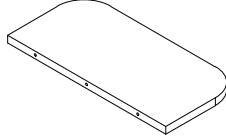







Ferramenta Hardware	Componenti Components							
Chiave esagonale Hexagonal key		Base (A) Base (A)		Fianco (B) Side (B)		Fianchetto (C) Small side (C)		Ripiano (D) Shelf (D)
	n°1							
Spina in legno 8x30 (T) Wooden pin 8x30 (T)		Ripiano finale (E) Final Shelf (E)						
	n° Max 78 n° Min 34							
Bariotto 14x14 (U) Barrel 14x14 (U)								
Tirante 7x33.5 (V) Tie-rod 7x33.5 (V)								
Grano 8x8 (Z) Threaded screw 8x8 (Z)								
Feltri Felt								
	n°4							

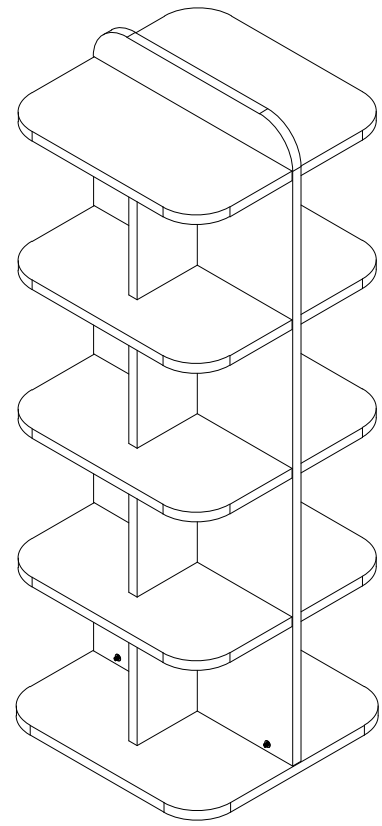
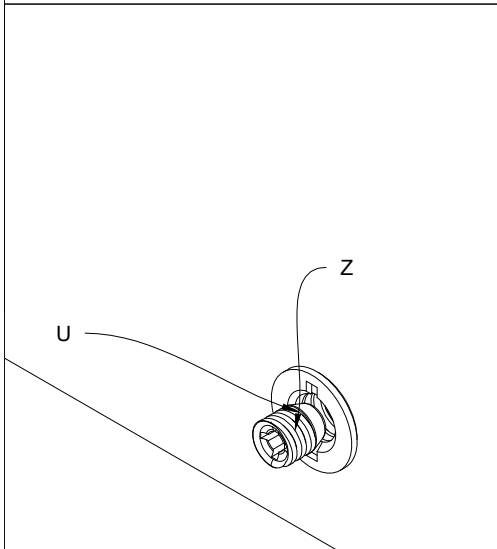


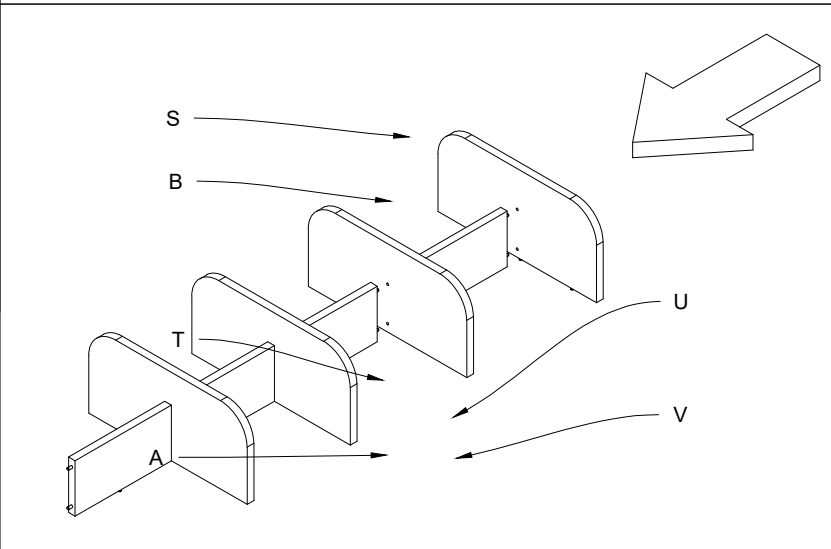
Fig.1 Serrare i grani (Z) nei barilotti (U).

Fig.1 Tighten the threaded screws (Z) in the barrels (U).



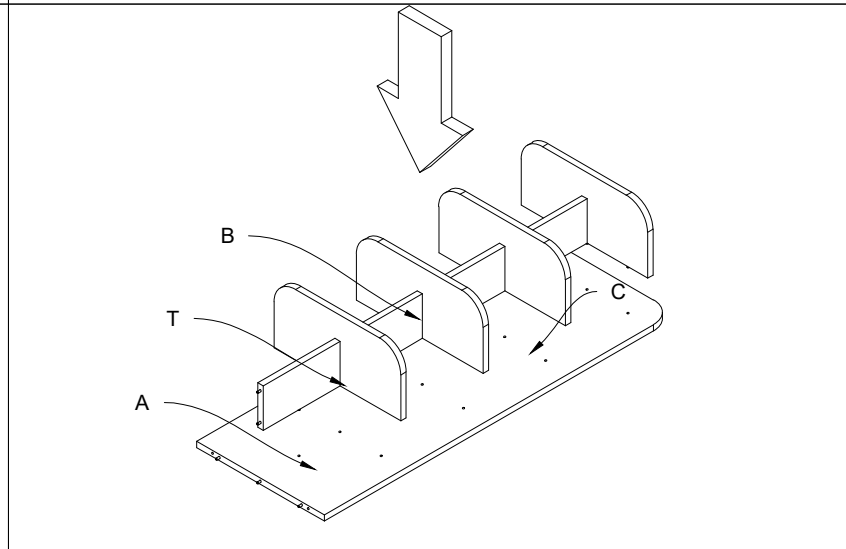
1) Unire i ripiani (D), i fianchetti (C) e il ripiano finale (E) tramite le spine (T).

1) Unite the shelves (D), small sides (C) and final shelf (E) by means of the wooden pins (T)



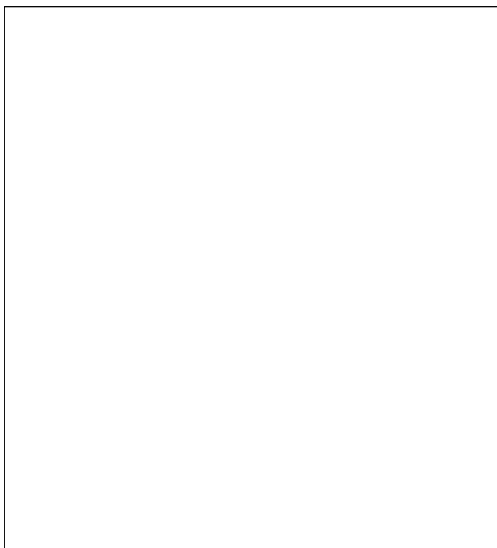
2) Posizionare la struttura precedentemente assemblata sul fianco (B) con le spine (T).

2) Position the prior assembled structure on the side (B) by means of the wooden pins



3) Ruotare la struttura e unire anche la seconda struttura di ripiani (D, E) e fianchetti (C)

3) Rotate the structure and unite the second structure to the shelves (D and E) and small sides (C)



4) Inserire il fianco (B) all'interno della base (A) con i tiranti (V), le spine (T) e i barilotti (U).

4) Insert the side (B) in the base (A) by means of the tie-rods (V), wooden pins (T) and barrels (U).

