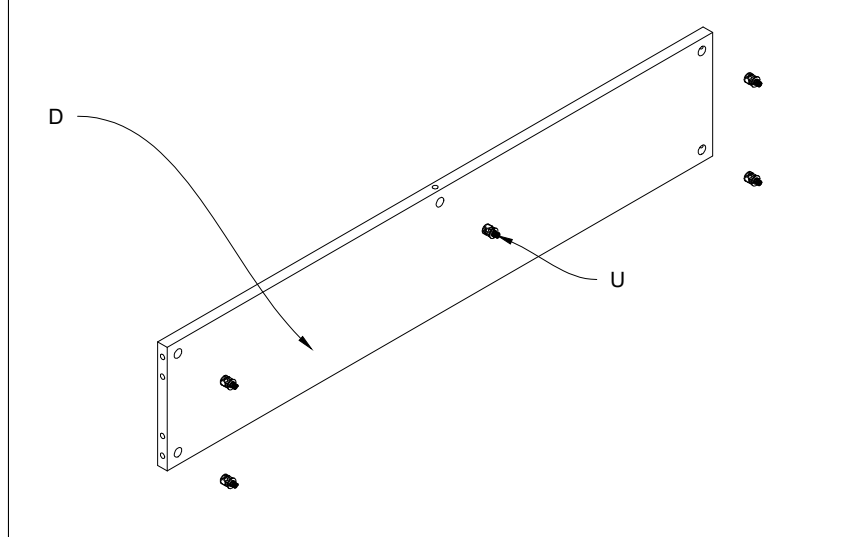
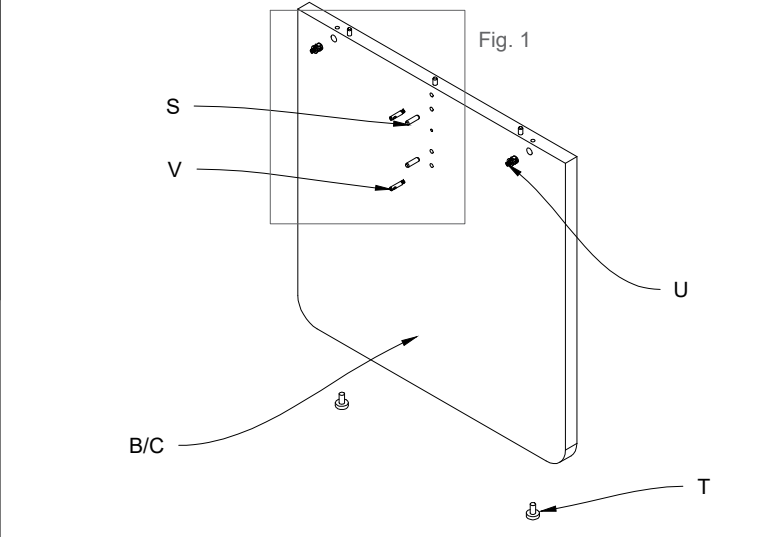
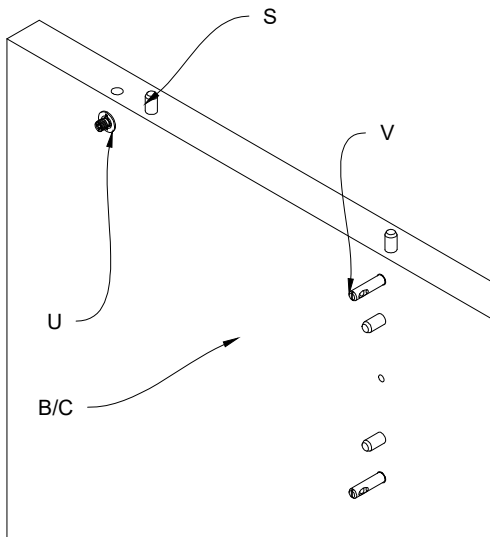




**Fig.1 Posizionare spine (S), barilotti(U), tiranti(V) nei fianchi(B e C)**  
**Fig.1 Position the pins (S), barrels (U) and tie-rods (V) in the sides (B and C)**

**1) Posizionare le spine (S), i barilotti (U), i tiranti (V) e piedini (T) nei fianchi (B e C).**  
**1) Position the pins (S), barrels (U), tie-rods (V) and feet (T) in the sides (B and C)**

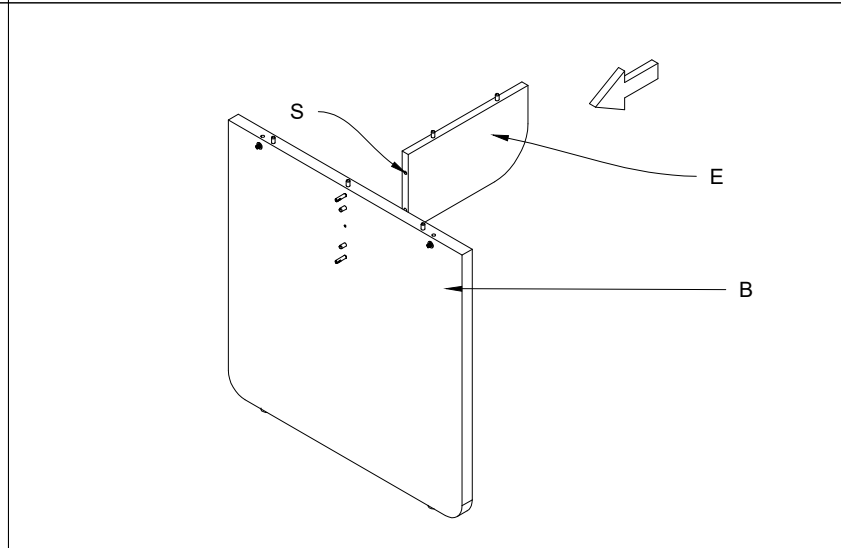
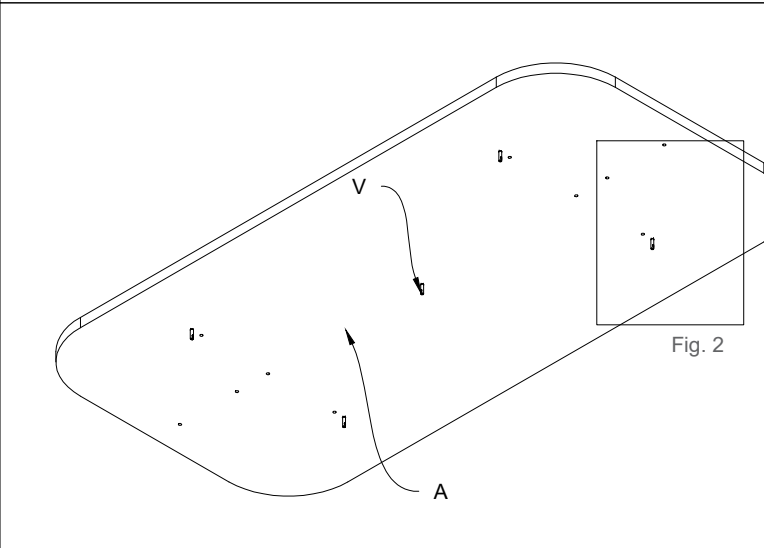
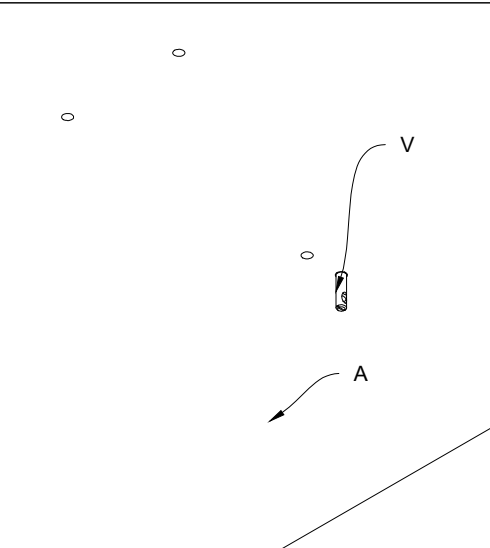
**2) Posizionare i barilotti (U) nella traversa (D).**  
**2) Position the barrels (U) in the cross panel (D)**



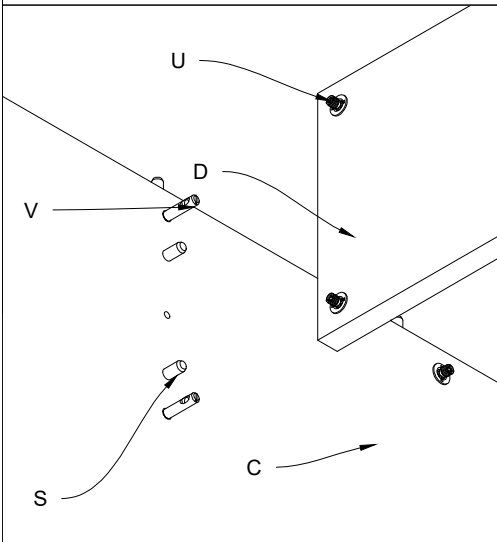
**Fig.2 Posizionare i tiranti(V) nel piano (A)**  
**Fig.2 Position the tie-rods (V) in the top (A)**

**3) Posizionare i tiranti (V) nel piano (A).**  
**3) Position the tie-rods (V) in the top (A)**

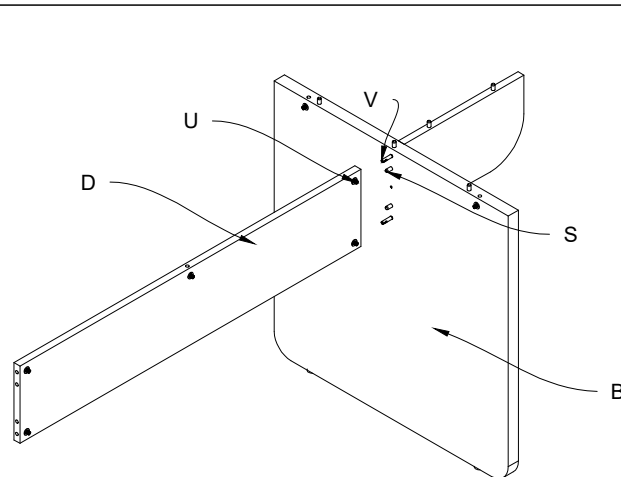
**4) Unire il fianco (B) alla traversa laterale (E) tramite le spine (S).**  
**4) Unite the side (B) to the lateral cross panel (E) by means of the wooden pins (S).**



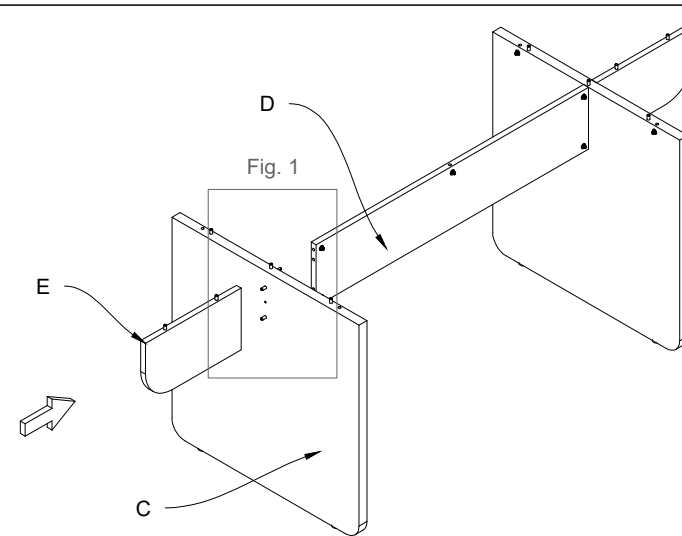
**Fig.1 Unire la traversa (D) al fianco (C) tramite spine (S) tiranti (V) e barilotti (U).**  
 Fig.1 Unite the cross panel (D) to the side (C) by means of the wooden pins (S), tie-rods (V) and barrels (U).



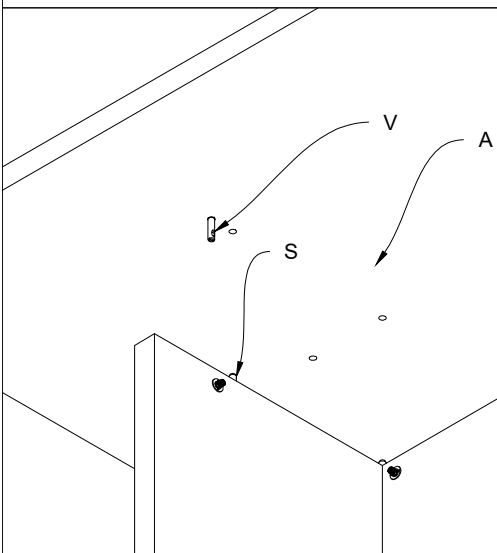
**5) Unire la traversa (D) con il fianco (B) tramite le spine (S) tiranti (V) e barilotti (U).**  
 5) Unite the cross panel (D) to the side (B) by means of the wooden pins (S), tie-rods (V) and barrels (U).



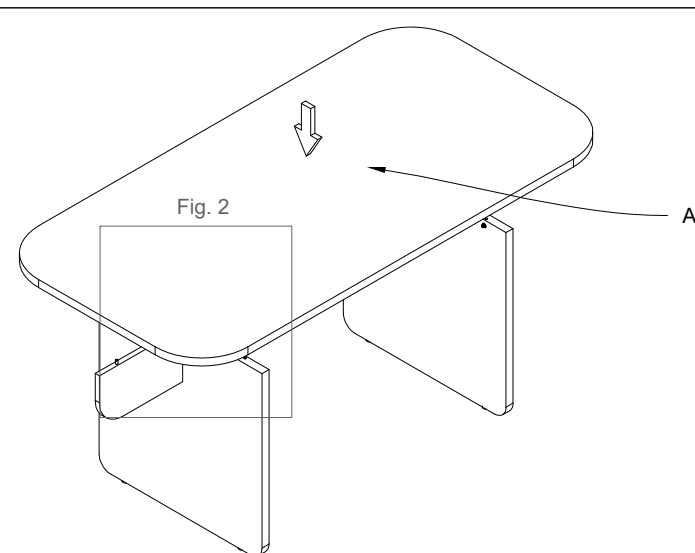
**6) Posizionare e unire il fianco (C) alla traversa (D) e alla traversa laterale (E).**  
 6) Position and unite the side (C) to the cross panel (D) and lateral cross panel (E).



**Fig.2 Unire il piano (A) alla struttura tramite spine (S) e tiranti (V).**  
 Fig.2 Unite the top (A) to the structure by means of the wooden pins (S) and tie-rods (V).



**7) Unire il piano (A) alla struttura.**  
 7) Unite the top (A) to the structure.



**8) Serraggio dei grani (Z) nei barilotti (U).**  
 8) Tighten the threaded screws (Z) in the barrels (U).

