



Rev. **00**
 Data Date
 07/10/2020

Emissione Issuance
 Approvazione Approval

Schema di montaggio Assembly diagram

ST.0001 160x90x73
 ST.0002 180x90x73
 ST.0003 200x90x73


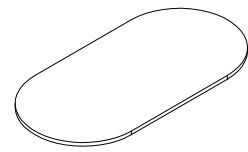
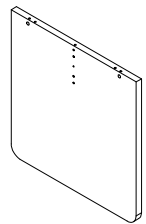
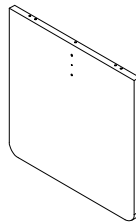
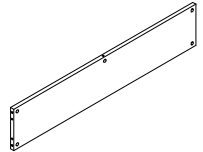


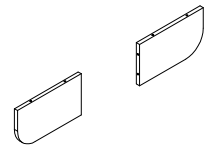

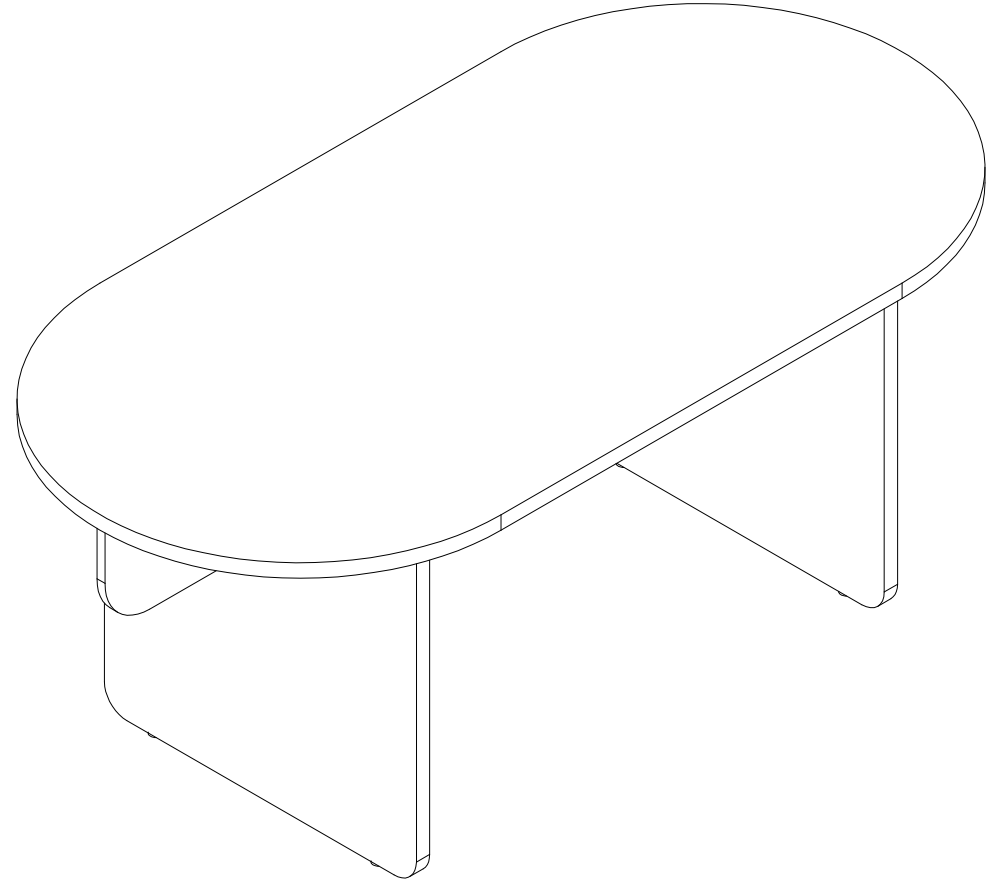


Ferramenta Hardware	Componenti Components									
Chiave esagonale Hexagonal key	n°1			Piano (A) Top (A)		Fianco DX (B) R side (B)		Fianco SX (C) L side (C)		Traversa (D) Cross panel (D)
Spina in legno 8x30 (S) Wooden pin 8x30 (S)	n°18									
Piedini regolabili diam.=14 (T) Adjustable feet diam.=14 (T)	n°4			Traverse laterali (E) Lateral cross panel (E)						
Barilotto 14x14 (U) Barrel 14x14 (U)	n°9									
Tirante 7x33.5 (V) Tie-rod 7x33.5 (V)	n°9									
Grano 8x8 (Z) Threaded screw 8x8 (Z)	n°9									

Fig.1 Posizionare spine (S), barilotti(U),tiranti(V) nei fianchi(B e C)
Fig.1 Position the pins (S), barrels (U) and tie-rods (V) in the sides (B and C)

1) Posizionare le spine (S), i barilotti (U), i tiranti (V) e piedini (T) nei fianchi (B e C).
1) Position the pins (S), barrels (U), tie-rods (V) and feet (T) in the sides (B and C)

2) Posizionare i barilotti (U) nella traversa (D).
2) Position the barrels (U) in the cross panel (D)

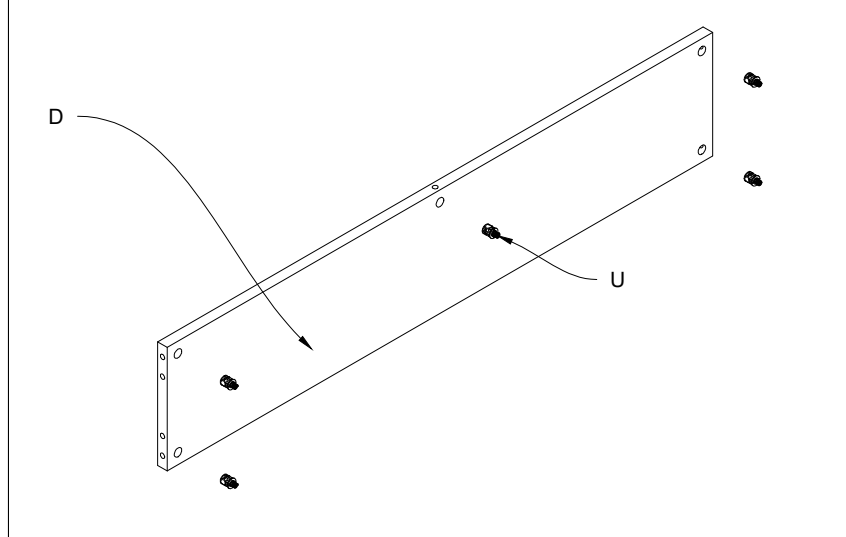
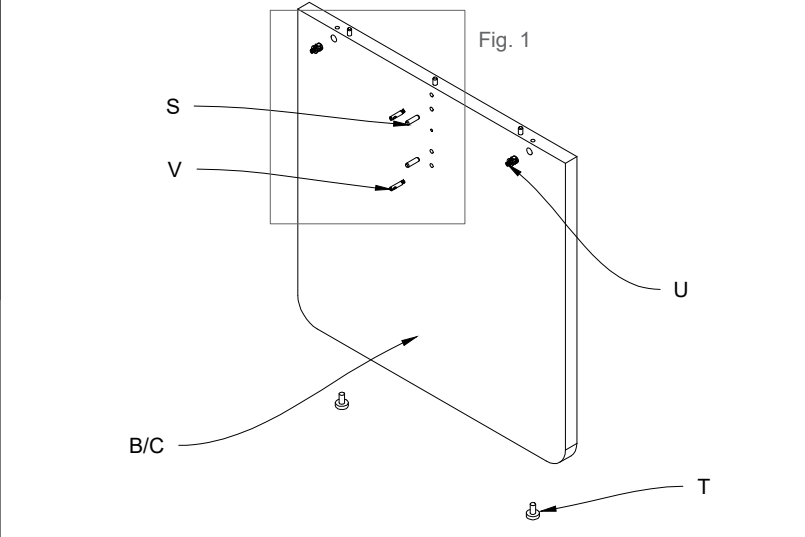
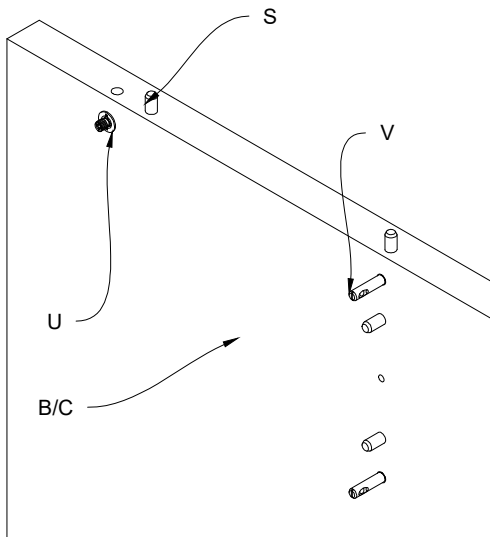


Fig.2 Posizionare i tiranti(V) nel piano (A)
Fig.2 Position the tie-rods (V) in the top (A)

3) Posizionare i tiranti (V) nel piano (A).
3) Position the tie-rods (V) in the top (A)

4) Unire il fianco (B) alla traversa laterale (E) tramite le spine (S).
4) Unite the side (B) to the lateral cross panel (E) by means of the wooden pins (S).

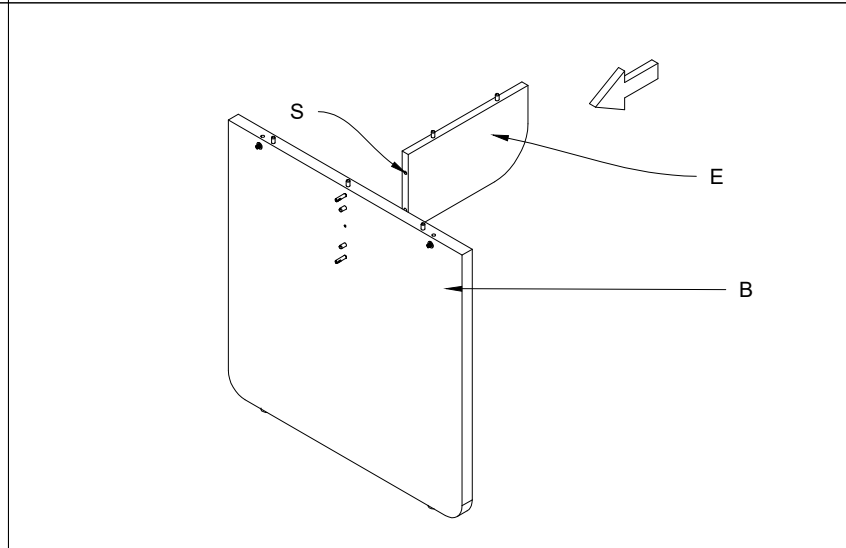
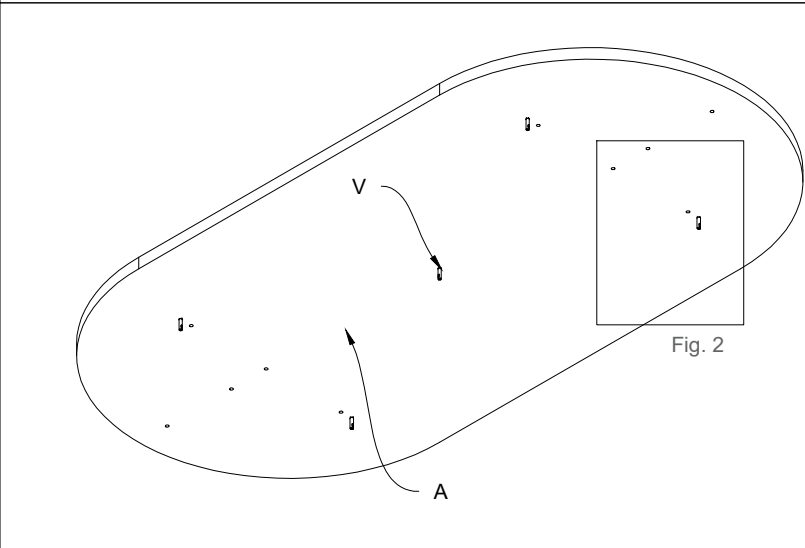
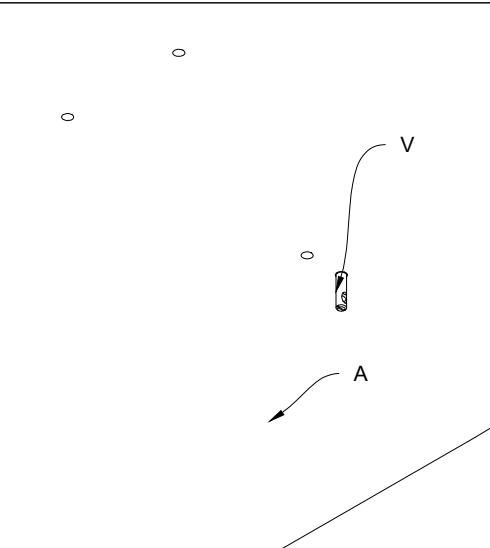
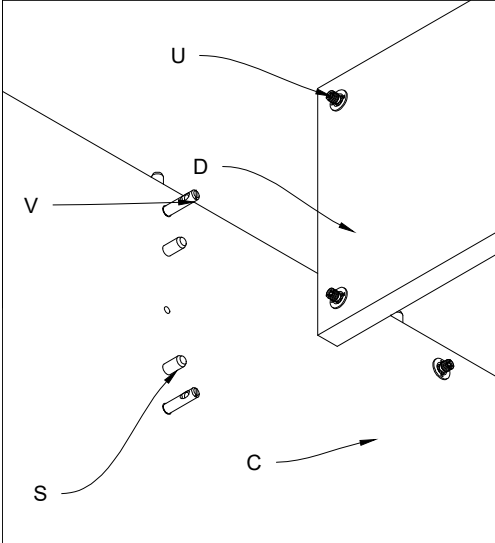
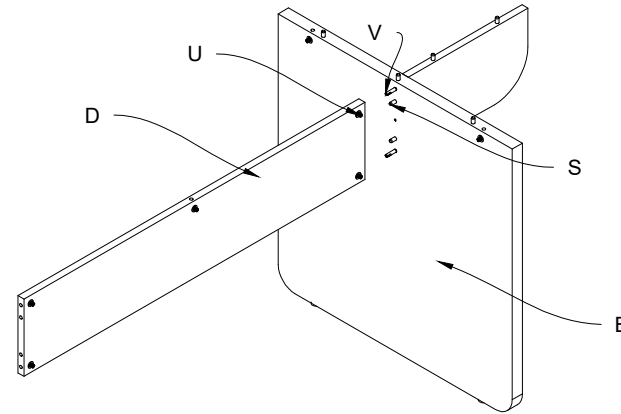


Fig.1 Unire la traversa (D) al fianco (C) tramite spine (S) tiranti (V) e barilotti (U).
 Fig.1 Unite the cross panel (D) to the side (C) by means of the wooden pins (S), tie-rods (V) and barrels (U).



5) Unire la traversa (D) con il fianco (B) tramite le spine (S) tiranti (V) e barilotti (U).
 5) Unite the cross panel (D) to the side (B) by means of the wooden pins (S), tie-rods (V) and barrels (U).



6) Posizionare e unire il fianco (C) alla traversa (D) e alla traversa laterale (E).
 6) Position and unite the side (C) to the cross panel (D) and lateral cross panel (E).

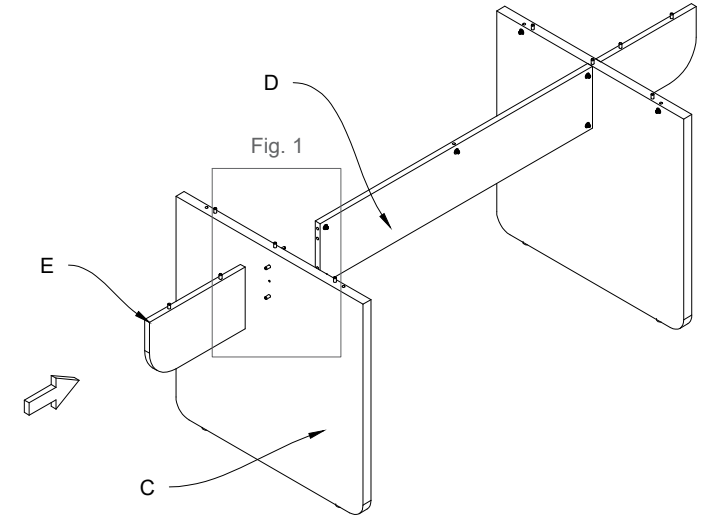
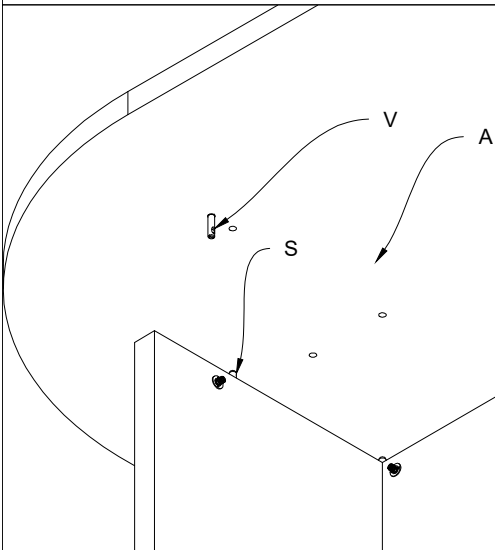
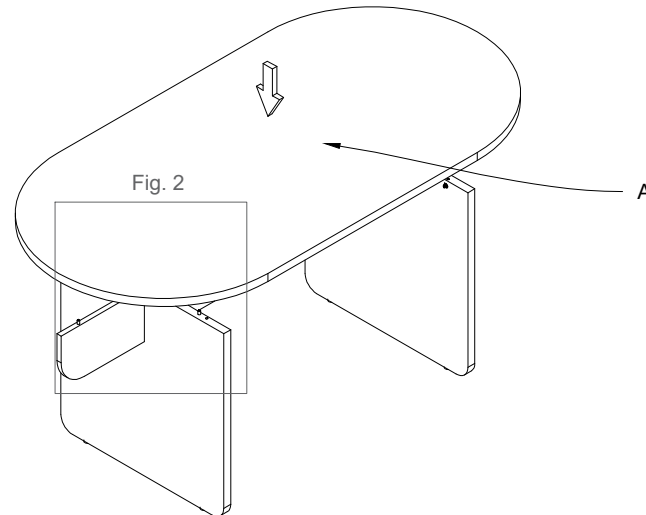


Fig.2 Unire il piano (A) alla struttura tramite spine (S) e tiranti (V).
 Fig.2 Unite the top (A) to the structure by means of the wooden pins (S) and tie-rods (V).



7) Unire il piano (A) alla struttura.
 7) Unite the top (A) to the structure.



8) Serraggio dei grani (Z) nei barilotti (U).
 8) Tighten the threaded screws (Z) in the barrels (U).

