
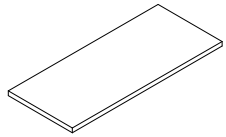
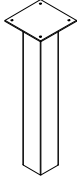






# Schema di montaggio Assembly diagram

Ferramenta Hardware	Componenti Components		Piano (A) Top (A)	Gambone autoportante (B) Self bearing leg (B)				
Bullone da 6x16 (S) 	Bolt 6x16 (S) <b>n°4</b>							
Bullone da 6x20 (T) 	Bolt 6x20 (T) <b>n°4</b>							
Piedini regolabili diam.=35 (U) 	Adjustable feet diam.=35 (U) <b>n°1</b>							
Staffa retta (V) 	Straight bracket (V) <b>n°2</b>							
Chiave esagonale da 4 (Z) 	Hexagonal key (Z) <b>n°1</b>							

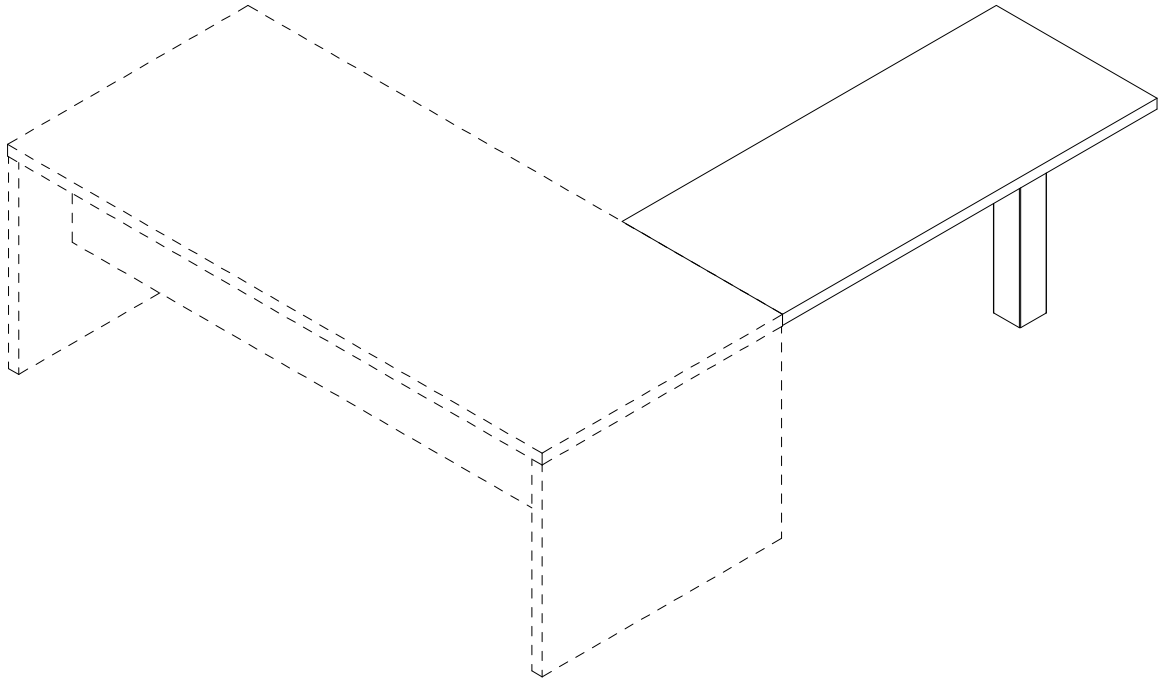
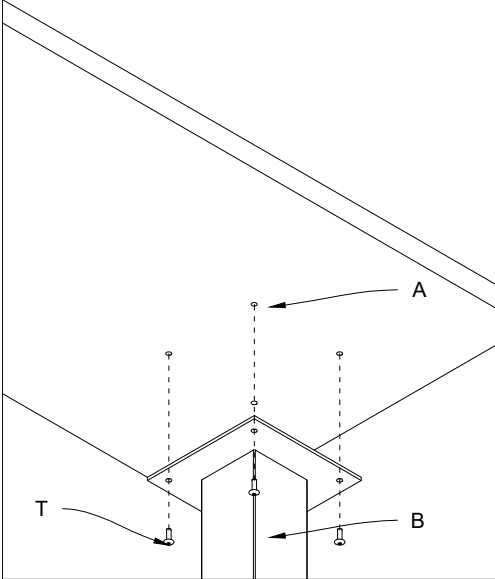
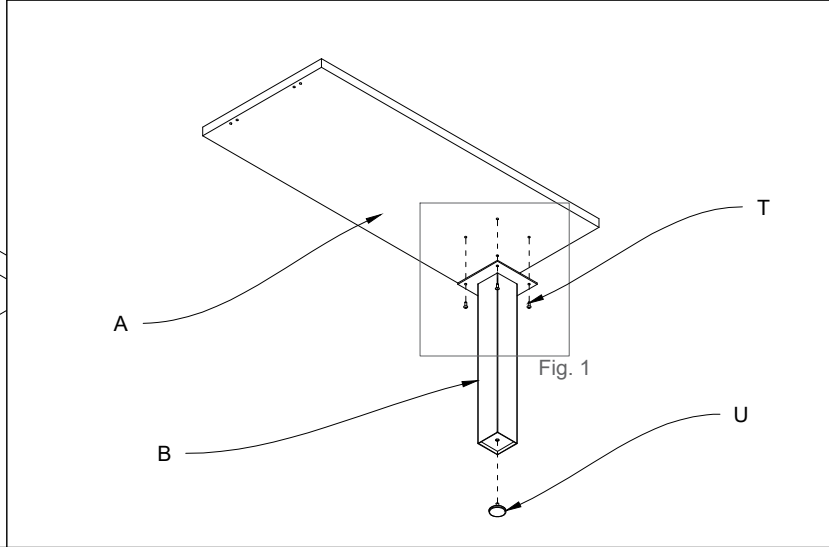


Fig.1 Posizionare bulloni (T) e gambone (B) nel piano (A)  
Fig.1 Position the bolt (T) and the self bearing leg (B) to the top (A)



1) Posizionare i bulloni (T) e i piedini (U) nel gambone (B) e fissarlo al piano (A).  
1) Position the bolts (T) and feet (U) to the self bearing leg (B) and fasten it to the top (A)



2) Fissare le staffe (V) nel piano (A) tramite i bulloni (S).  
2) Fasten the brackets (V) in the top (A) by means of the bolts (S)

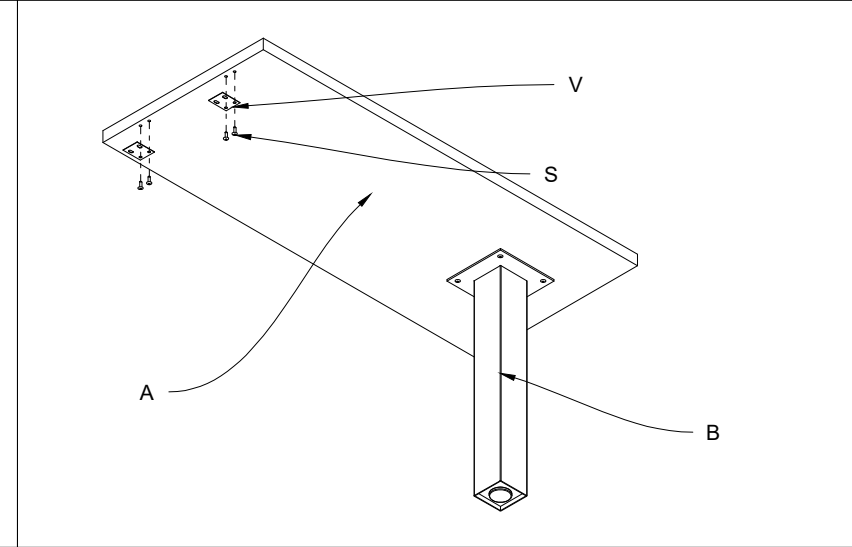
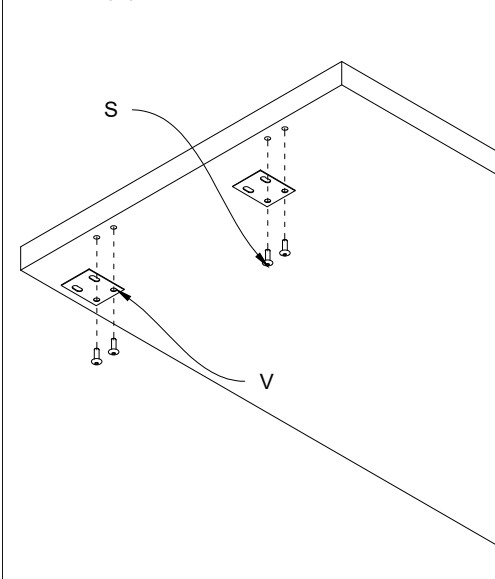
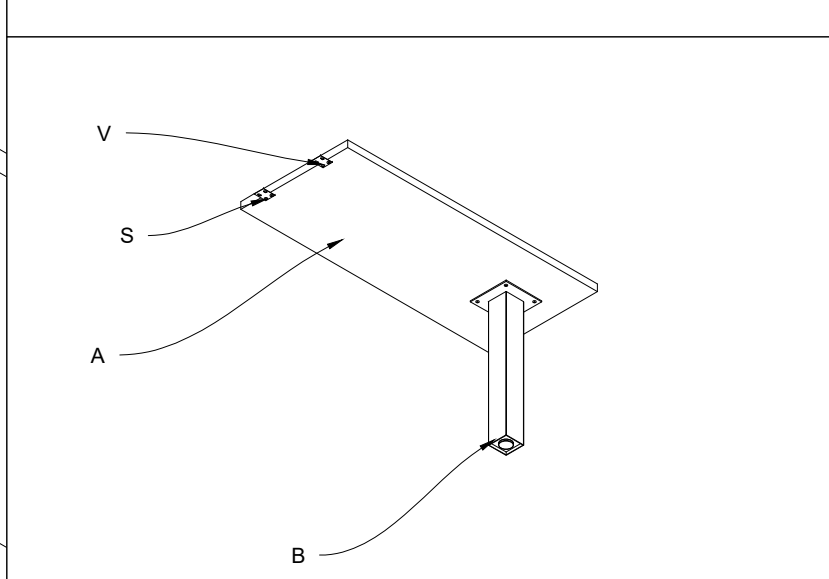


Fig.2 Inserire i bulloni (S) con la staffa (V) in corrispondenza dei fori  
Fig.2 Insert the bolts (S) with the bracket (V) in function to the holes



3) Serrare i bulloni (S) con le staffe (V) ed il piano.  
3) Tighten the bolts (S) to the brackets (V) and top



4) Unire l'appendice alla scrivania tramite le staffe rette (V)  
4) Unite the desk return to the desk by means of the straight brackets (V)

