
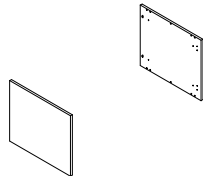
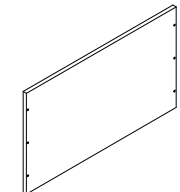
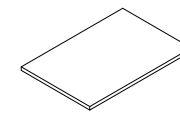

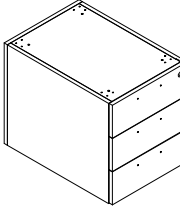
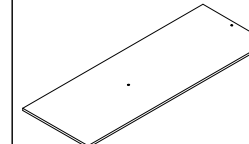





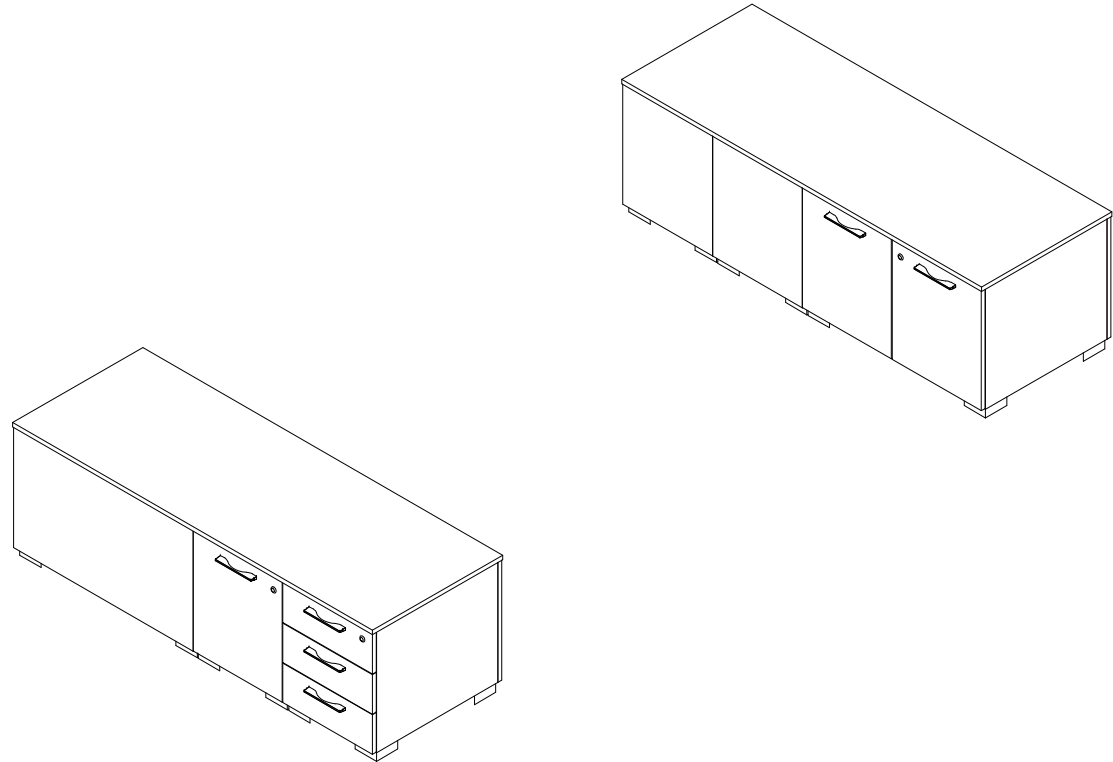


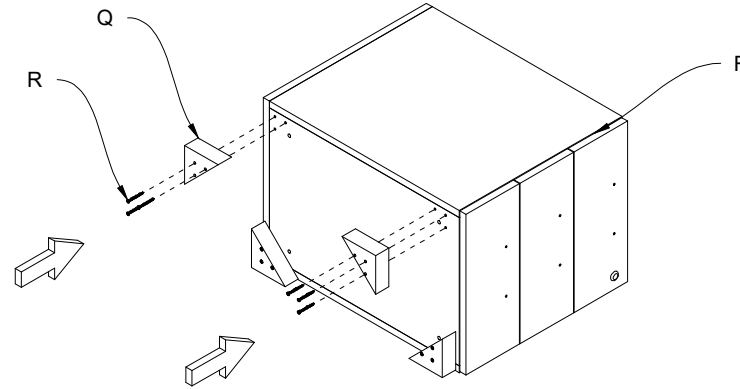
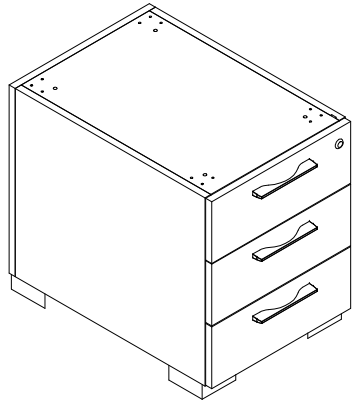
Ferramenta Hardware	Componenti Components								
Serratura (H) Lock (H)	n°2		Base e cappello (A) Base and top (A)		Fianco DX-SX (B) R-L side (B)		Retro (C) Back panel (C)		Ripiano (D) Shelf (D)
Reggipiano (J) Shelf support (J)	n°8		Anta (E) Door (E)		Cassettiera (F) Chest of drawers (F)		Top (G)		
Maniglie (I) Handles (I)	n°6								

Bariotto 14x14 (L) Barrel 14x14 (L)	n°24		Basetta (V) Hinge base (V)	n°6	
Grano 8x8 (M) Threaded screw 8x8 (M)	n°24		Cerniera (T) Hinge (T)	n°6	
Tirante 7x33 (N) Tie-rod 7x33 (N)	n°24		Vite 4x18 (W) Screws 4x18 (W)	n°12	
Spina 8x30 (O) Wooden pin 8x30 (O)	n°28		Bullone 6x30 (Z) Bolt 6x30 (Z)	n°12	
Bullone 4x25 (P) Bolt 4x25 (P)	n°12		Chiave esagonale Hexagonal key	n°1	
Piede triangolare (Q) Triangular foot (Q)	n°12				
Vite 3.5x50 (R) Screws 3.5x50 (R)	n°36				
Vite di giunzione 5x27 (S) Junction Screws 5x27 (S)	n°8				



Prodotto: RY.0310
Product: RY.0310

1) Ruotare la cassettera (F) in modo che si possano inserire i piedini (Q) nella base con le viti (R)
1) Turn the chest of drawers (F) so that the feet (Q) can be inserted into the base by means of the screws (R)



2) Inserire le maniglie (I) nei frontali della cassettera tramite i bulloni (P)
2) Insert the handles (I) in the fronts by means of the bolts (P)

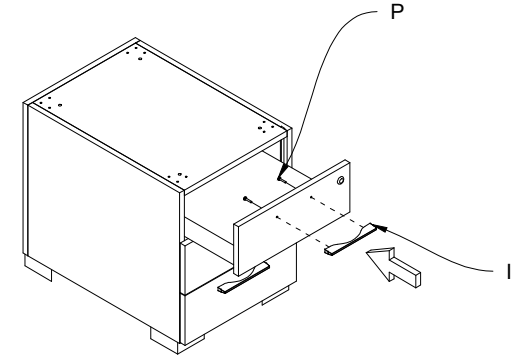
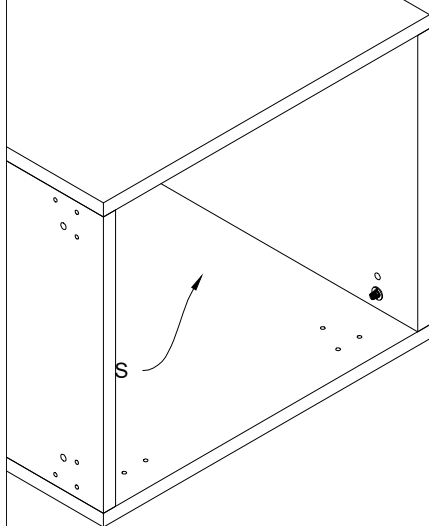
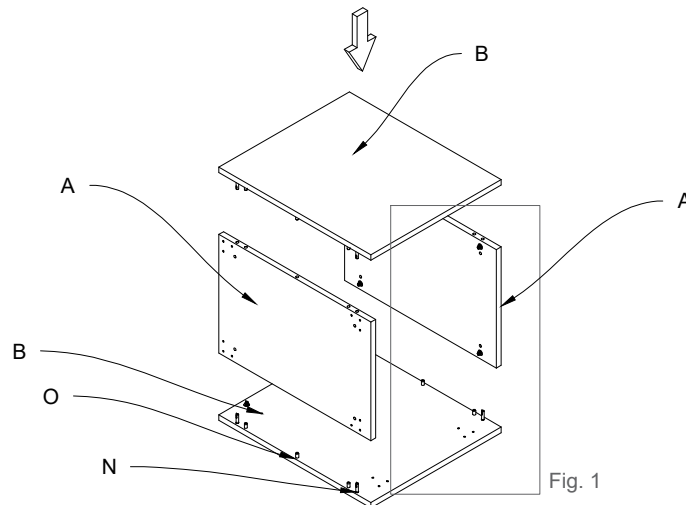


Fig.1 Serraggio grani (M)

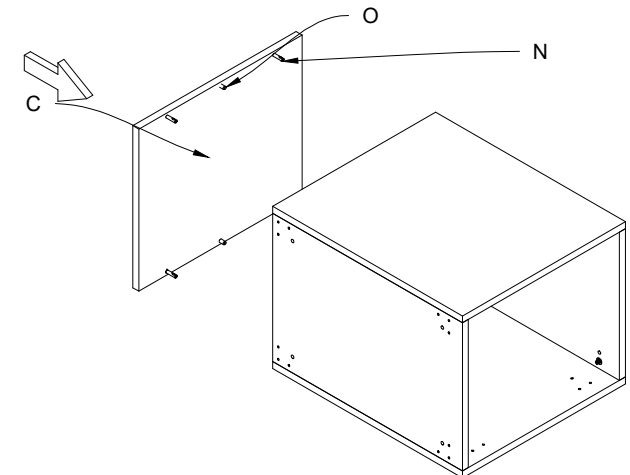
Fig.1 Tighten the threaded screws (M)



1) Poggiando un fianco (B) a terra, collegare base (A), cappello (A) e l'altro fianco (B) tramite le spine (O) e i tiranti (N)
1) Lean one side (B) on the ground, connect the base (A), top (A) and the other side (B) by means of the wooden pins (O) and tie-rods (N)



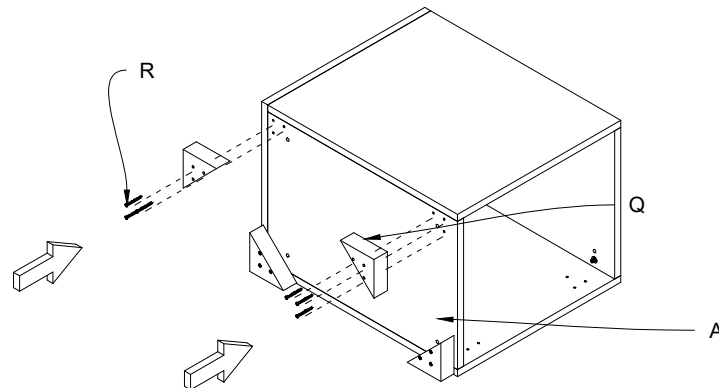
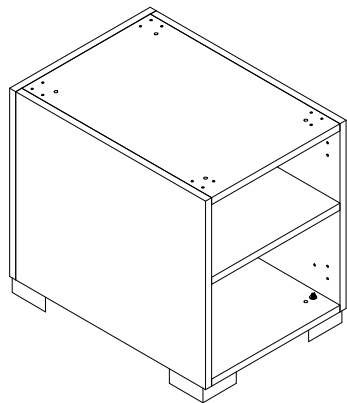
2) Inserire il retro (C) tramite le spine (O) e i tiranti (N)
2) Insert the back panel (C) by means of the wooden pins (O) and tie-rods (N)



Prodotto: RY.0311
Product RY.0311

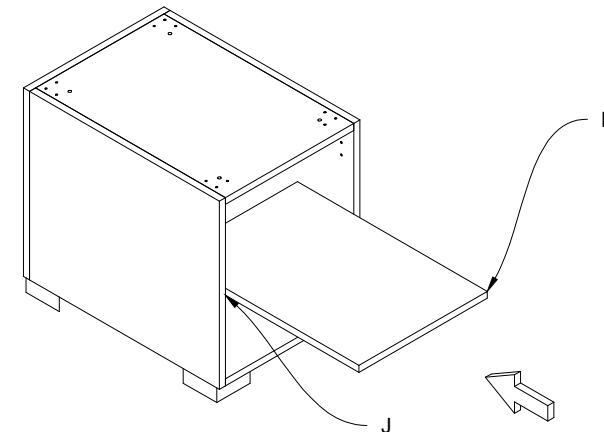
3) Inserire i piedi (Q) nella base (A) tramite le viti (R).

3) Insert the feet (Q) into the base (A) by means of the screws (R)



4) inserire il ripiano (D) e posizionarlo negli appositi reggipiani (J)

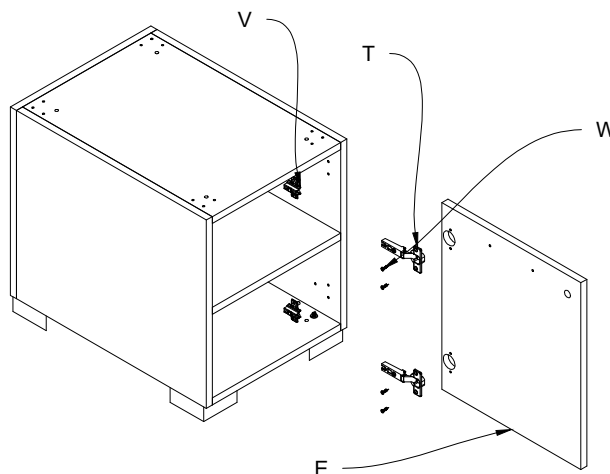
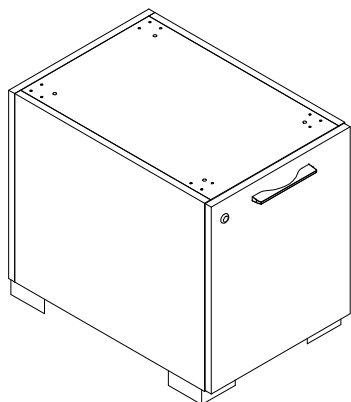
4) Insert the shelf (D) and position it on the shelf supports (J)



Prodotto RY.0312 DX-SX
Product RY.0312 DX-SX

1) Partendo dal prodotto RY.0311, inserire le basette (V) e le cerniere (T) tramite le viti (W) per inserire l'anta (E)

1) Starting from product RY.0311, insert the hinge bases (V) and the hinges (T) by means of the screws (W) to insert the door (E)



2) Dopo aver unito le basette (V) con le cerniere (T), inserire nell'anta (E) la maniglia (I) e la serratura (J) con le loro viti (W, P)

2) After joining the hinge bases (V) with the hinges (T), insert the handle (I) and lock (J) into the door (E) by means of their screws (W, P)

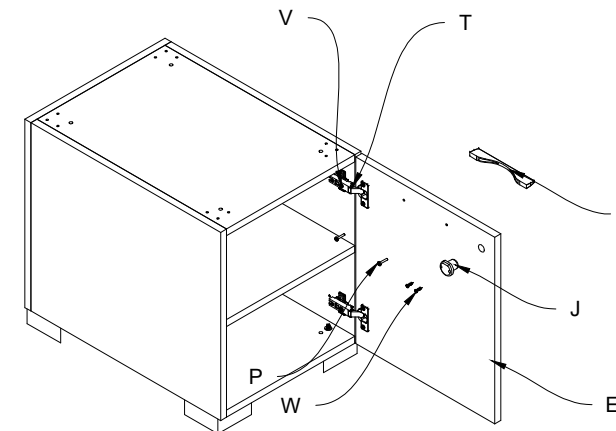
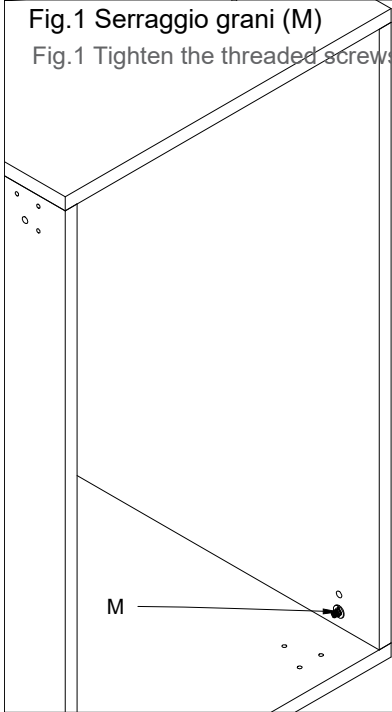
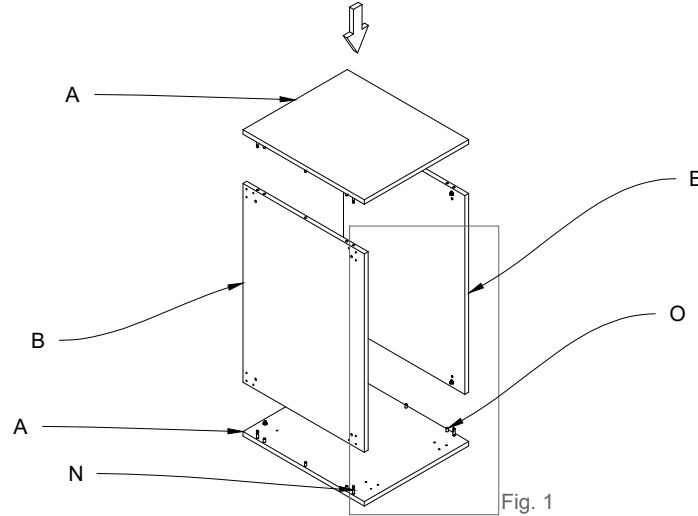


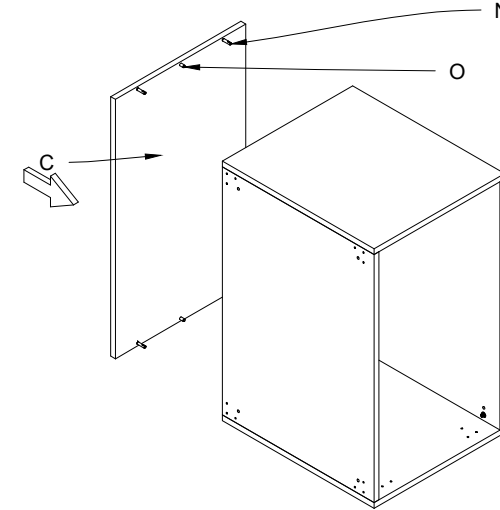
Fig.1 Serraggio grani (M)
 Fig.1 Tighten the threaded screws (M)



1) Poggiando un fianco (B) a terra, collegare base (A), cappello (A) e l'altro fianco (B) tramite le spine (O) e i tiranti (N)
 1) Lean one side (B) on the ground, connect the base (A), top (A) and the other side (B) by means of the wooden pins (O) and tie-rods (N)

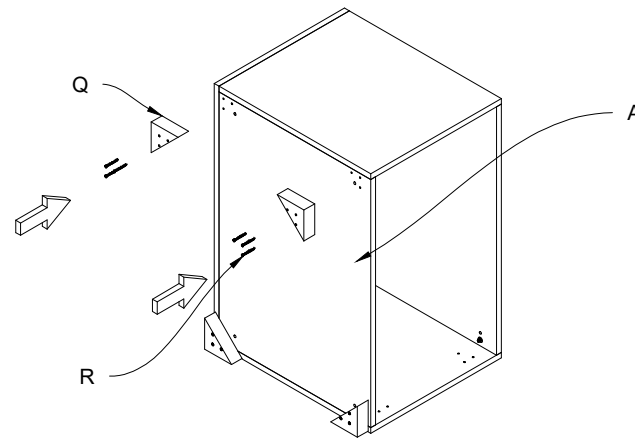
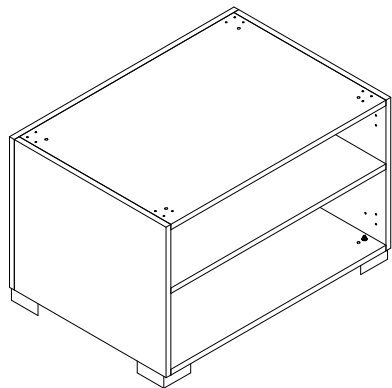


2) Inserire il retro (C) tramite le spine (O) e i tiranti (N)
 2) Insert the back panel (C) by means of the wooden pins (O) and tie-rods (N)

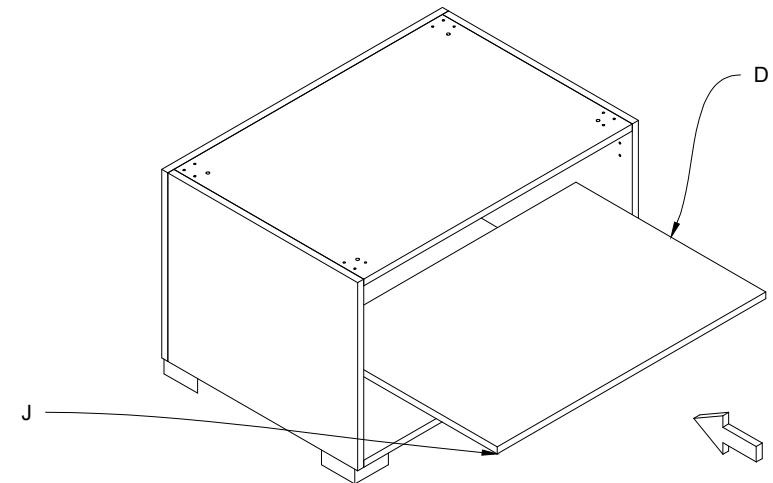


Prodotto RY.0313
Product RY.0313

3) Inserire i piedi (Q) nella base (A) tramite le viti (R).
 3) Insert the feet (Q) into the base (A) by means of the screws (R)



4) Inserire il ripiano (D) e posizionarlo negli appositi reggipiani (J)
 4) Insert the shelf (D) and position it on the shelf supports (J)



Prodotto: RY.0314
 Product: RY.0314

1) Partendo dal prodotto RY.0311, inserire le basette (V) e le cerniere (T) tramite le viti (W) per inserire l'anta (E)
 1) Starting from product RY.0311, insert the hinge bases (V) and the hinges (T) by means of the screws (W) to insert the door (E)

2) Dopo aver unito le basette (V) con le cerniere (T), inserire nell'anta (E) la maniglia (I) e la serratura (J) con le loro viti (W) e bulloni (P)
 2) After joining the hinge bases (V) with the hinges (T), insert the handle (I) and lock (J) into the door (E) by means of their screws (W, P)

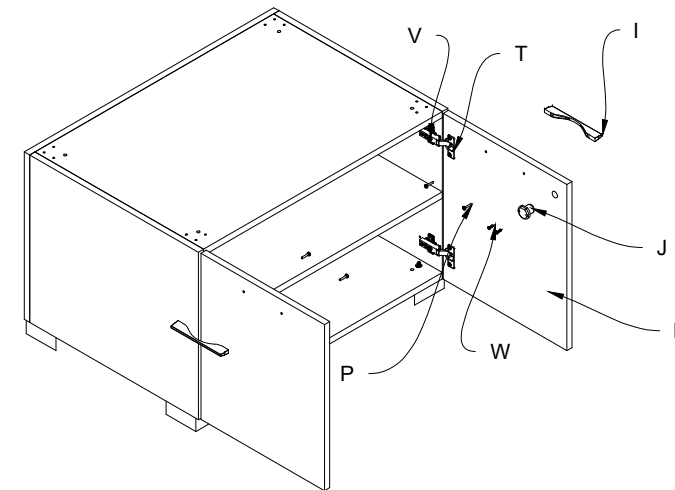
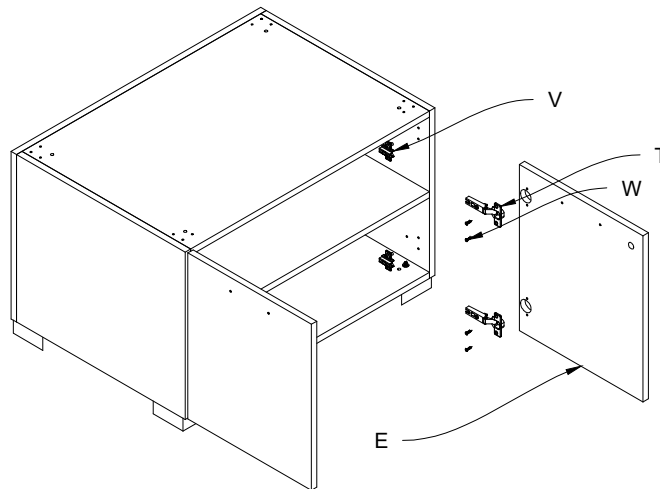
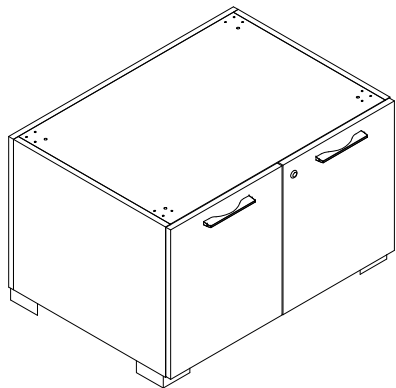


Fig 1 Unire il top (G) con il modulo tramite i bulloni (Z) e i vari moduli tra di loro con le viti di giunzione (S)
 Fig.1 Join the top (G) to the unit by means of the bolts (Z) and the various modules among each other by means of the joining screws (S)

1) Unire i vari moduli tramite le viti di giunzioni (S) utilizzando l'apposita preforatura
 1) Join the various modules by means of the joint screws (S) in the appropriate pre-drilling holes

2) Inserire il top (G) adatto alla lunghezza del modulo servente e unirlo con le viti (Z) forandolo secondo l'esigenza utilizzando l'apposita preforatura
 2) Insert the top (G) suitable for the length of the serving unit and join it by means of the screws (Z), drill it according to needs and use the appropriate pre-drilling holes

