


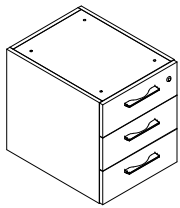
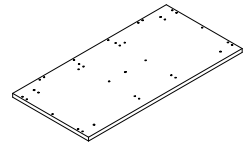
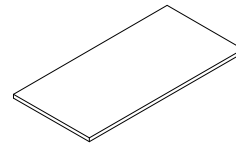
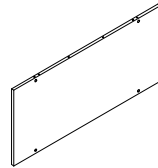

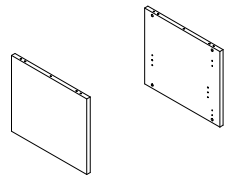
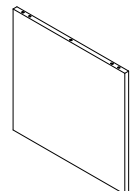
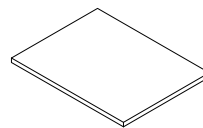
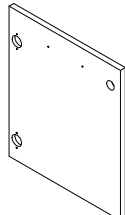


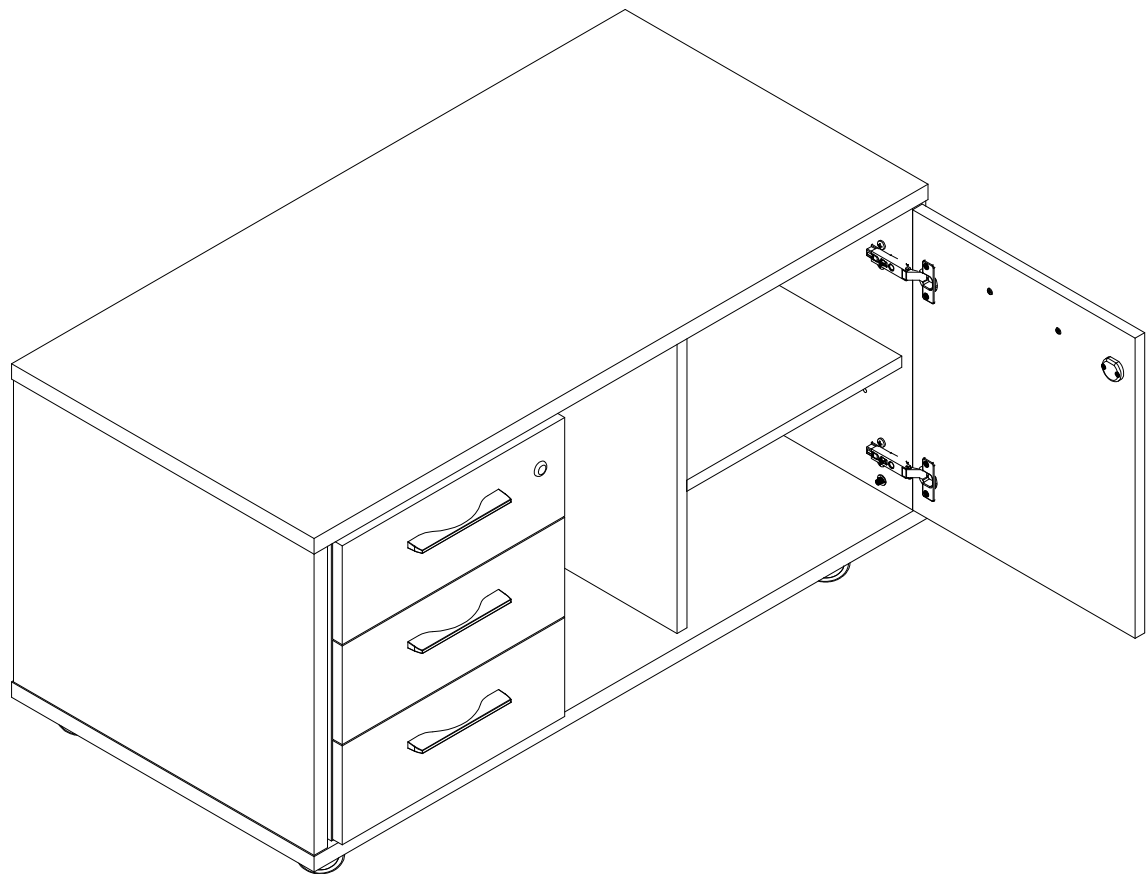







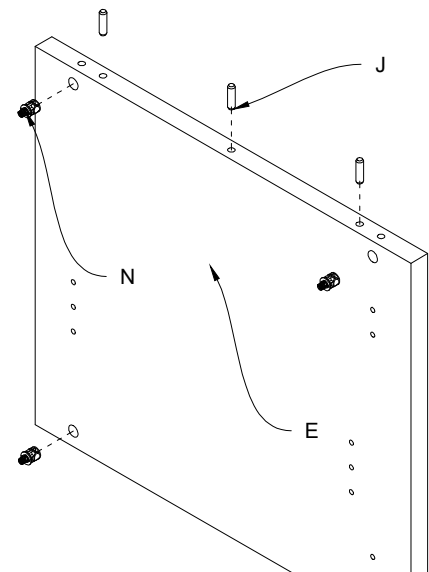
Ferramenta Hardware	Componenti Components									
Chiave esagonale Hexagonal key	n°1			Cassettiera (A) Chest of drawers (A)		Base (B) Base (B)		Cappello (C) Top (C)		Retro (D) Back (D)
Reggipiani (K) Shelf supports (K)	n°4			Fianco DX-SX (E) R-L Side (E)		Fianco intermedio(F) Intermediate side (F)		Ripiano (G) Shelf (G)		Anta (H) Door (H)
Spina 8x30 (J) Wooden pin 8x30 (J)	n°26									
Tirante 7x33.5 (I) Tie-rod 7x33.5 (I)	n°16		Serratura (S) Lock (S)	n°1						
Bariotto14x14 (L) Barrel 14x14 (L)	n°8		Rondella 8x24 (T) Washer 8x24 (T)	n°5						
Grano 8x8 (M) Threaded screw 8x8 (M)	n°8		Ruota diam. 65 (U) Castor diam. 65 (U)	n°5						
Bariotto14x17.5 (N) Barrel 14x17.5 (N)	n°8		Bullone 4x25 (V) Bolt 4x25 (V)	n°8						
Grano 8x12 (O) Threaded screw 8x12 (O)	n°8		Maniglie (Z) Handles (Z)	n°4						
Basetta (P) Hinge Base (P)	n°2									
Viti (Q) Screws (Q)	n°6									
Cerniere (R) Hinge (R)	n°2									

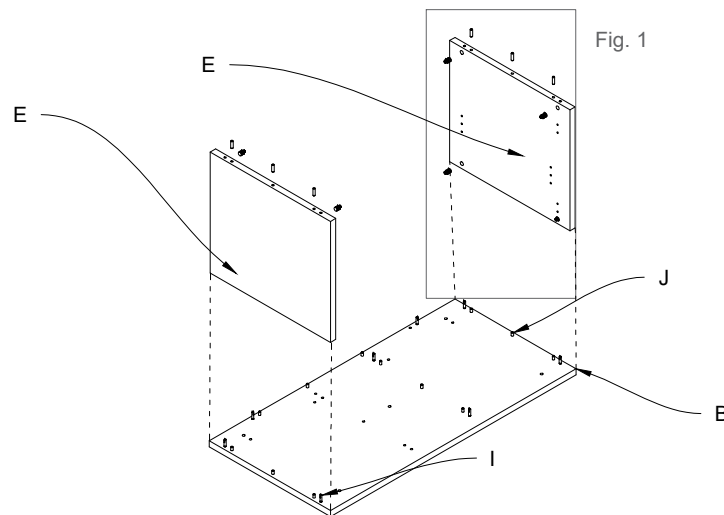
Fig.1 Montaggio spine (J) e barilotti (N) su un fianco (E)

Fig.1 Assemble the wooden pins (J) and barrels (N) on one side (E)



1) Posizionare la base (B) sul pavimento e inserire i fianchi DX e SX (E) in corrispondenza dei tiranti (I) e spine (J)

1) Position the base (B) on the floor and insert the R and L sides in function to the tie-rods (I) and wooden pins (J)



2) Inserire il fianco intermedio (F) tramite spine (J), tiranti (I) e barilotti (L)

2) Insert the intermediate side (F) by means of the wooden pins (J), tie-rods (I) and barrels (L)

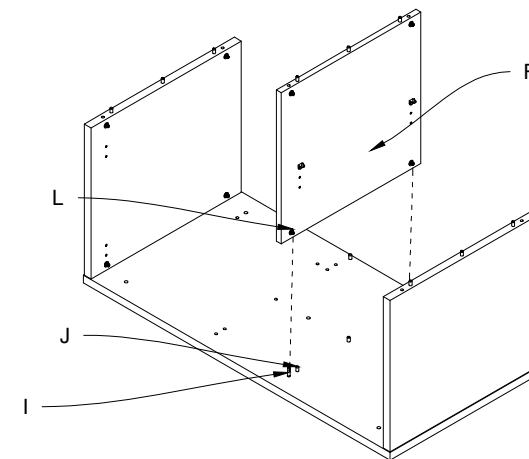
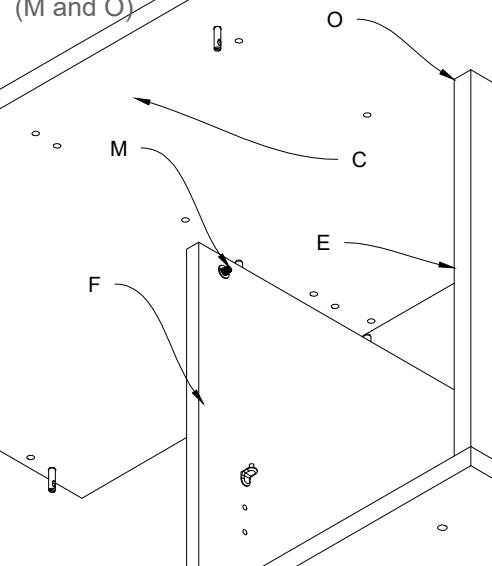


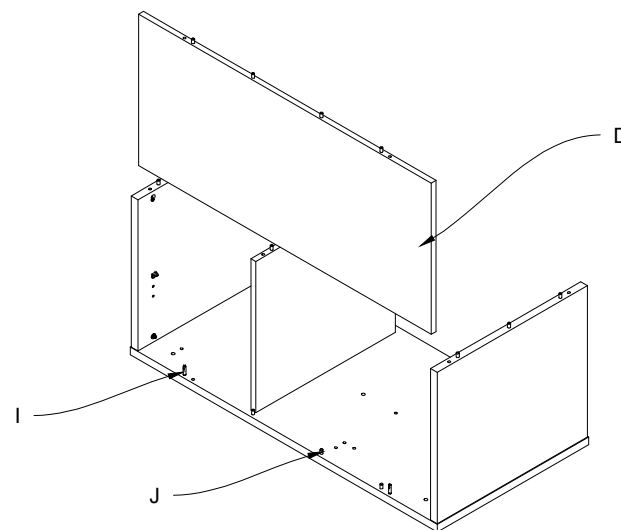
Fig.2 Inserimento cappello (C) nei fianchi (E, F) e serrare i grani (M e O)

Fig.2 Insert the top (C) in the sides (E and F) and tighten the threaded screws (M and O)



3) Inserire il retro (D) tramite i tiranti (I) e le spine (J)

3) Insert the back (D) by means of the tie-rods (I) and wooden pins (J)



4) Inserire il cappello (C) tramite i tiranti (I) e le spine (J) in corrispondenza dei fianchi (E, F) e del retro (D)

4) Insert the top (C) by means of the tie-rods (I) and wooden pins (J) in function to the sides (E and F) and back (D)

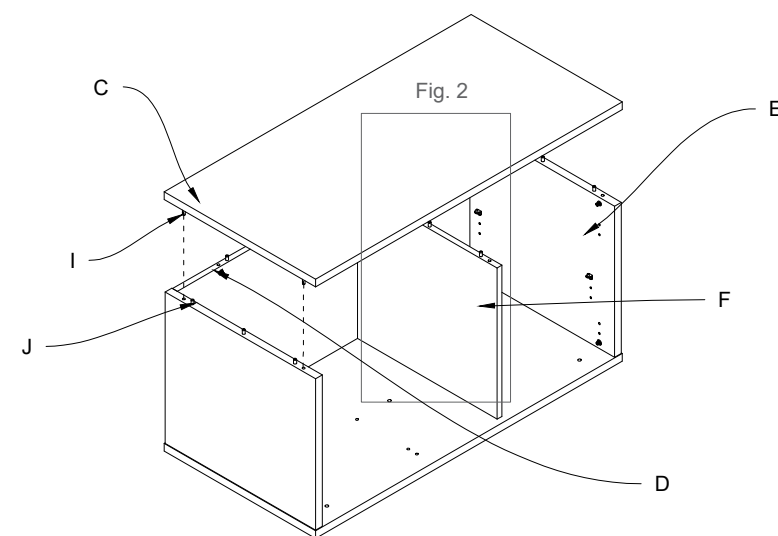
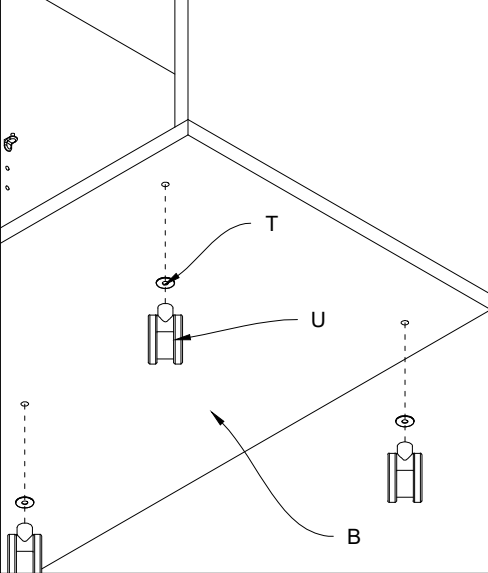


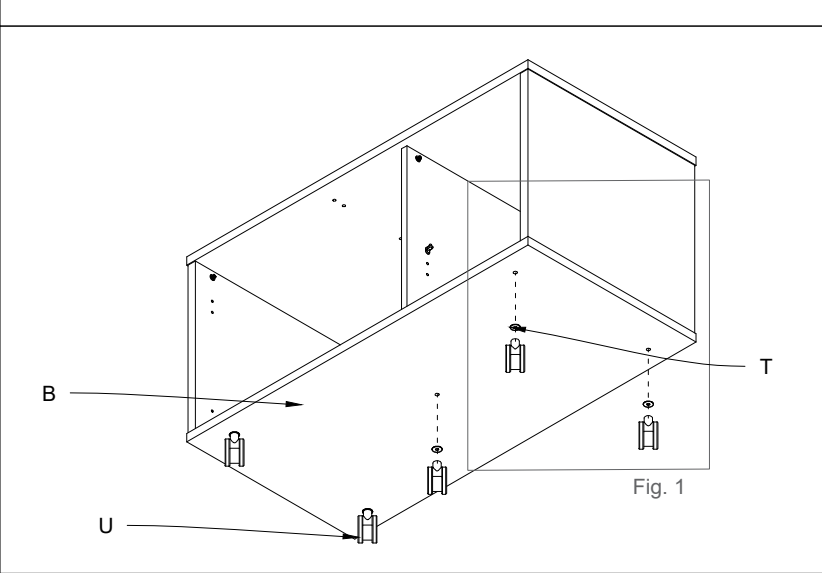
Fig.1 Unire le ruote (U) e rondelle (T) alla base (B)

Fig.1 Unite the castors (U) and washers (T) to the base (B)



5) Inserire le ruote (U) e le rondelle (T) nella base (B) nei relativi fori.

5) Insert the castors (U) and washers (T) in the base (B) in function to the holes



6) Inserire il ripiano (G) tra il fianco DX o SX (E) e quello intermedio (F) tramite i reggipiani (K)

6) Insert the shelf (G) between the right and left side (E) and the intermediate side (F) by means of the shelf supports (K)

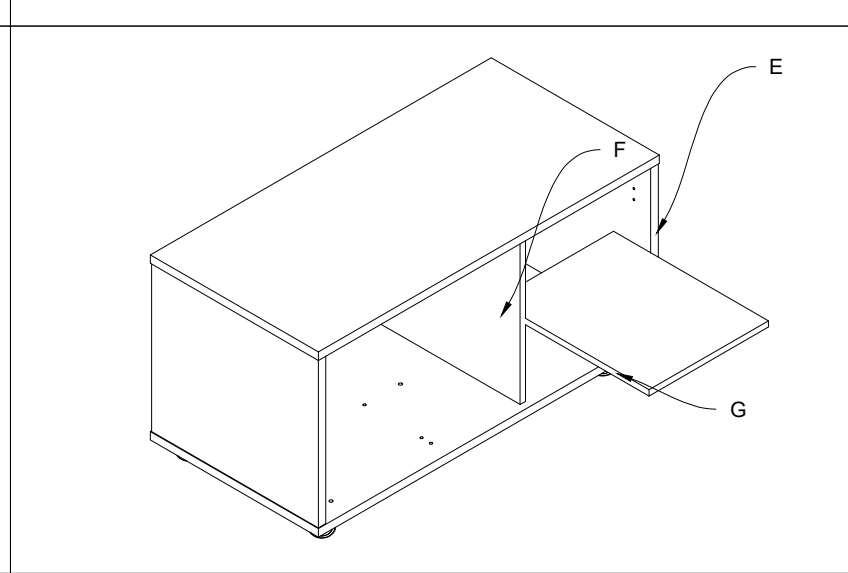
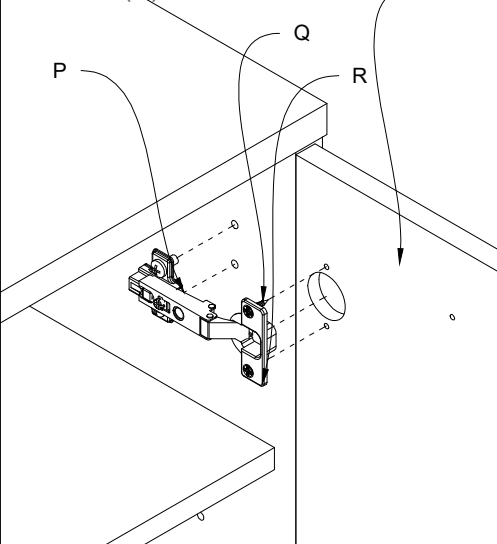


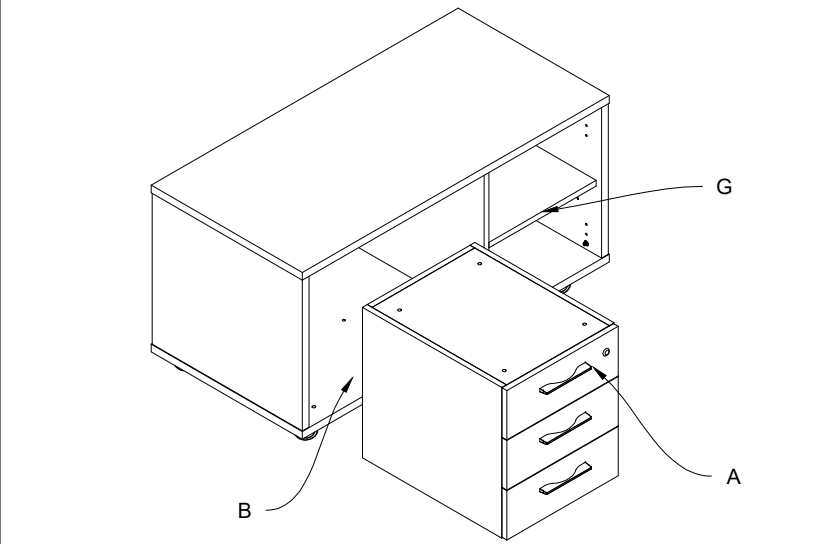
Fig.2 inserire le cerniere (R) e basette (P) tramite le viti (Q) nell'anta (H)

Fig.2 Insert the hinges (R) and base hinges (P) by means of the screws (Q) in the door (H)



7) Inserire la cassettera (A) nel vano opposto al ripiano (G) e serrarla con i bulloni alla base (B)

7) Insert the chest of drawers (A) in the compartment opposite to the shelf (G) and tighten it to the base (B) by means of the bolts



8) Inserire l'anta (H) tramite le cerniere (R) e le basette (P).

8) Insert the door (H) by means of the hinges (R) and base hinges (P)

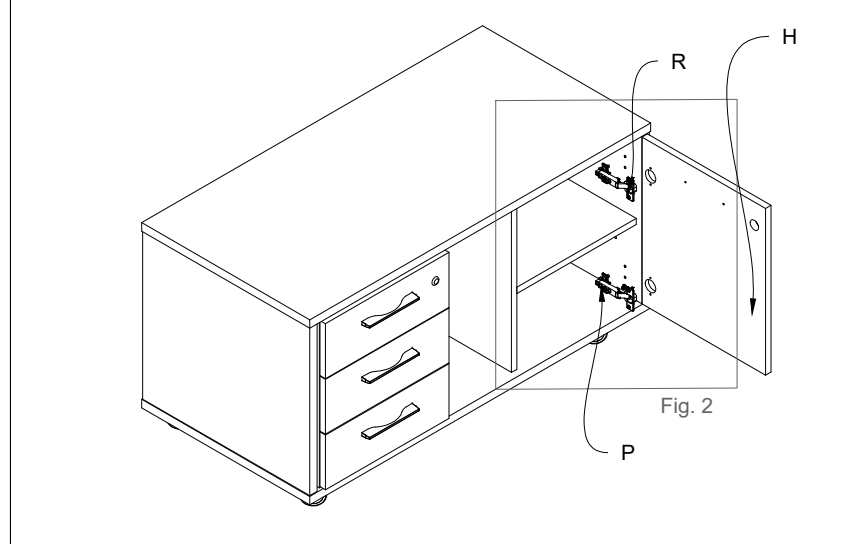
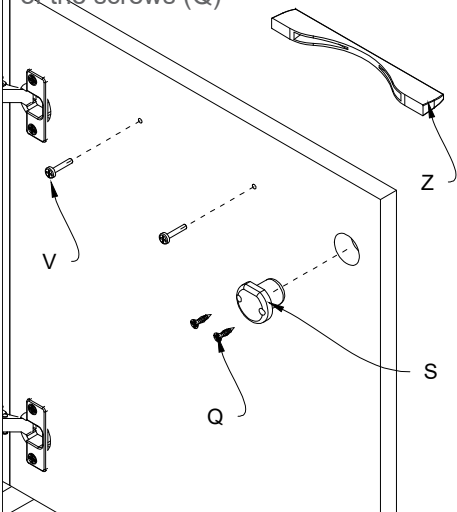


Fig.1 Agganciare la maniglia (Z) tramite i bulloni (V) e la serratura (S) tramite le viti (Q)

Fig.1 Fasten the handle (Z) by means of the bolts (V) and the lock (S) by means of the screws (Q)



9) Inserire la maniglia (Z) e la serratura (S) nell'anta (H)

9) Insert the handle (Z) and the lock (S) in the door (H)

