


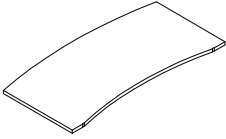
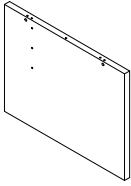
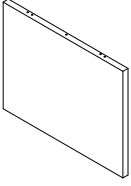
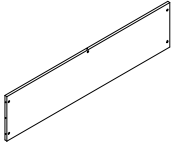






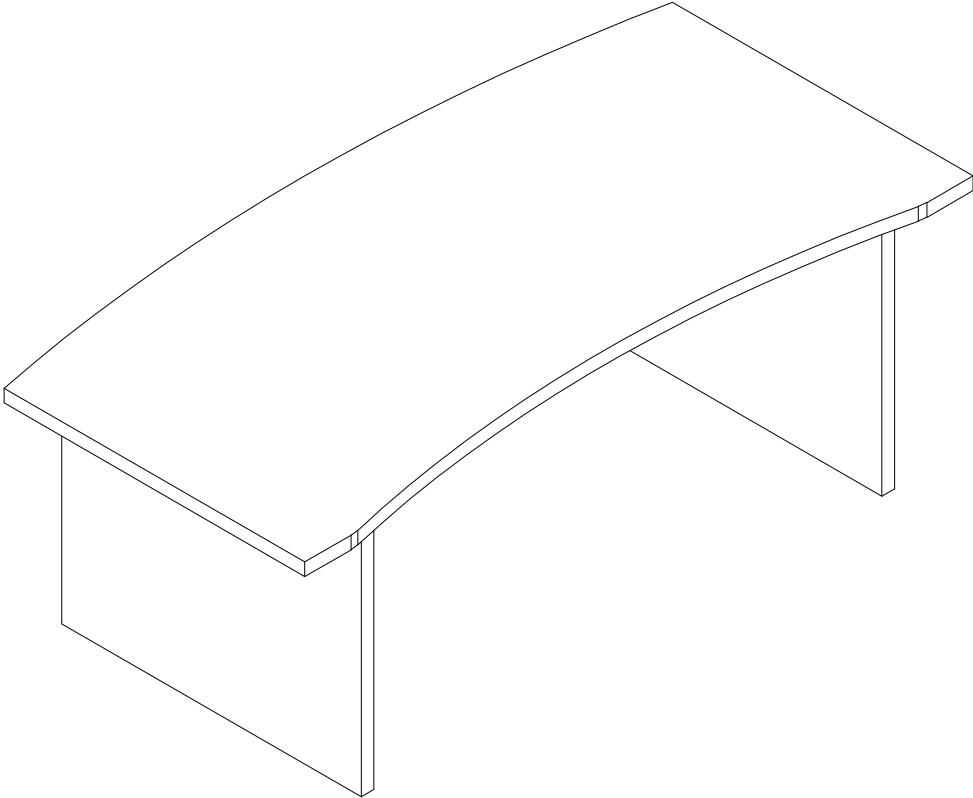


Rev. **00**  
 Data Date  
 09/07/2020

Emissione Issuance  
 Approvazione Approval

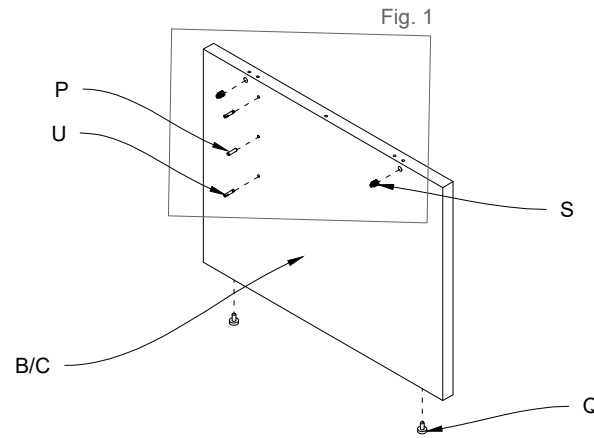
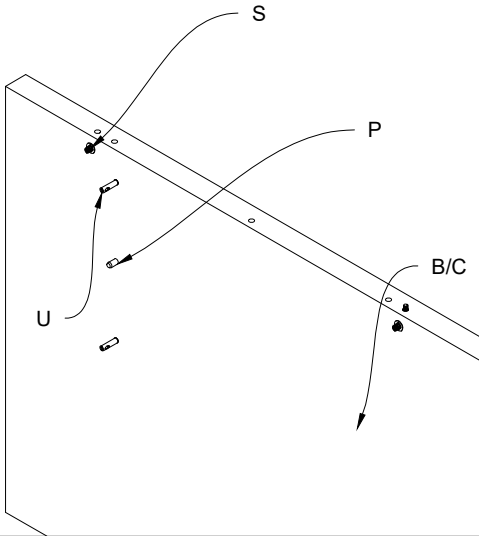
# Schema di montaggio Assembly diagram

RY.0018 180x100x73 RY.0019 200x100x73  
 RY.0020 220x100x73 RY.0021 240x100x73

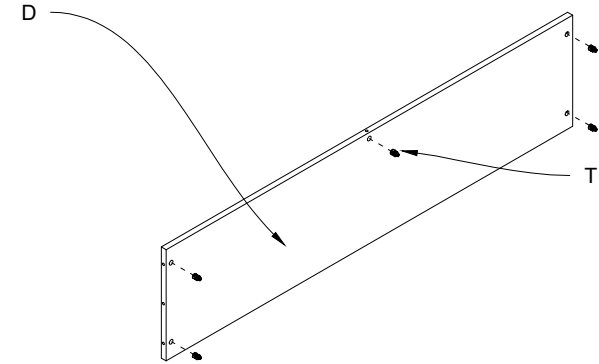
Ferramenta Hardware	Componenti Components		Piano (A) Top (A)	Fianco DX (B) R side (B)	Fianco SX (C) L side (C)	Traversa (D) Cross panel (D)
Spina in legno 8x30 (P) 	Wooden pin 8x30 (P) <b>n°8</b>					
Piedini regolabili diam.=35 (Q) 	Adjustable feet diam.=35 (Q) <b>n°4</b>					
Grano 8x12 (R) 	Threaded screw 8x12 (R) <b>n°4</b>					
Barilotto 14x17.5 (S) 	Barrel 14x17.5 (S) <b>n°4</b>					
Barilotto 14x14 (T) 	Barrel 14x14 (T) <b>n°5</b>					
Tirante 7x33.5 (U) 	Tie-rod 7x33.5 (U) <b>n°9</b>					
Grano 8x8 (V) 	Threaded screw 8x8 (V) <b>n°5</b>					
						

**Fig.1 Posizionare spine (P), barilotti(S),tiranti(U) nei fianchi(B e C)**  
 Fig.1 Position the pins (P), barrels (S) and tie-rods (U) in the sides (B and C)

**1) Posizionare le spine (P), i barilotti (S), i tiranti (U) e piedini (Q) nei fianchi (B e C).**  
 1) Position the pins (P), barrels (S), tie-rods (U) and feet (Q) in the sides (B and C)



**2) Posizionare i barilotti (T) nella traversa (D).**  
 2) Position the barrels (T) in the cross panel (D)



**Fig.2 Posizionare spine (P) e tiranti(U) nel piano (A)**  
 Fig.2 Position the pins (P) and tie-rods (U) in the top (A)

**3) Posizionare le spine (P), e i tiranti(U) nel piano (A).**  
 3) Position the pins (P) and tie-rods (U) in the top (A)

**4) Unire i fianchi ( B e C) alla traversa (D) tramite le spine (P) e i tiranti (U)**  
 4) Unite the sides (B and C) to the cross panel (D) by means of the pins (P) and tie-rods(U)

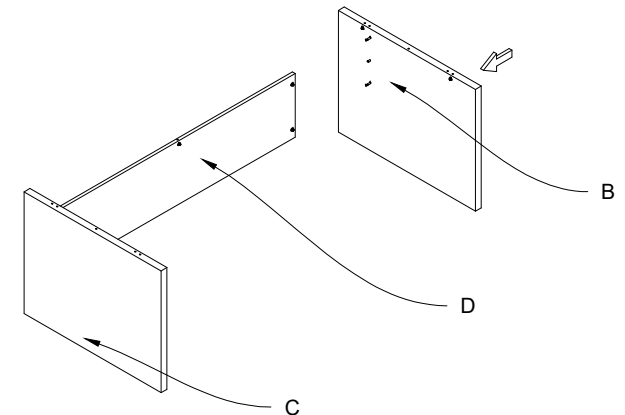
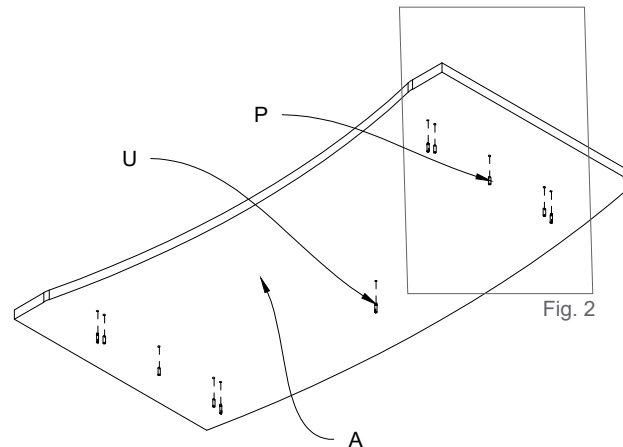
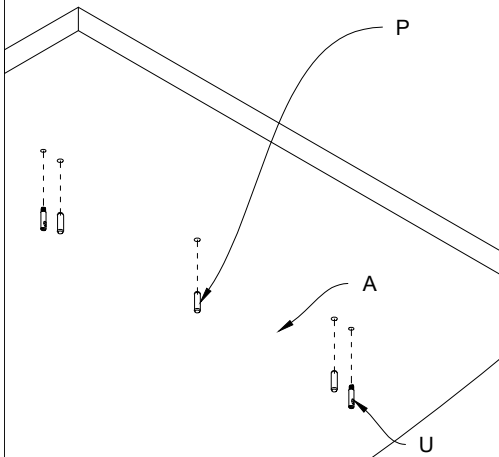
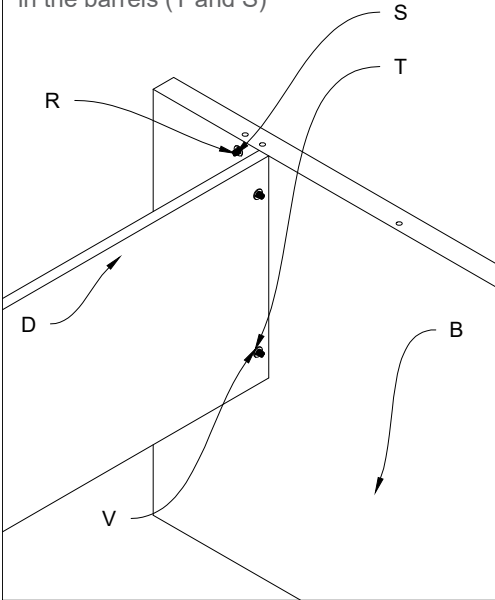
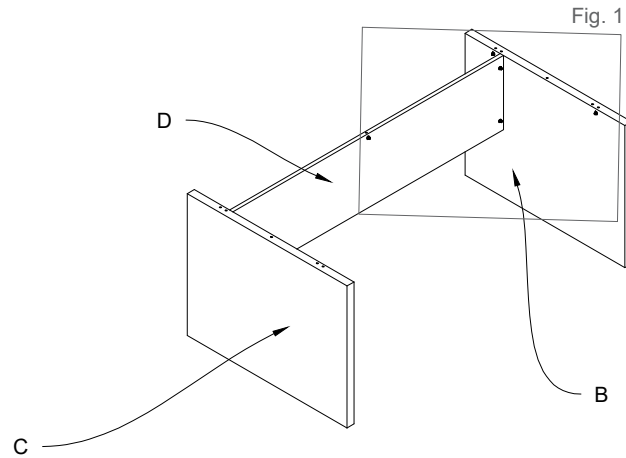


Fig.1 Serraggio grani (V e R) nei barilotti (T e S)  
Fig.1 Tighten the treaded screws (V and R) in the barrels (T and S)



5) Serraggio grani (V e R) nei barilotti(T e S)  
5) Tighten the treaded screws (V and R) in the barrels (T and S)



6) Posizionare il Piano (A), sopra la struttura e agganciarlo tramite le spine (P) e i tiranti (U)  
6) Position the top (A) on top of structure and fasten it by means of the pins (P) and tie-rods (U)

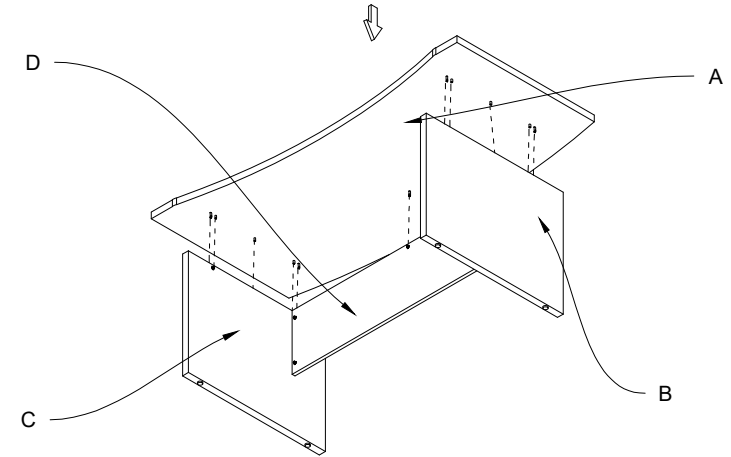
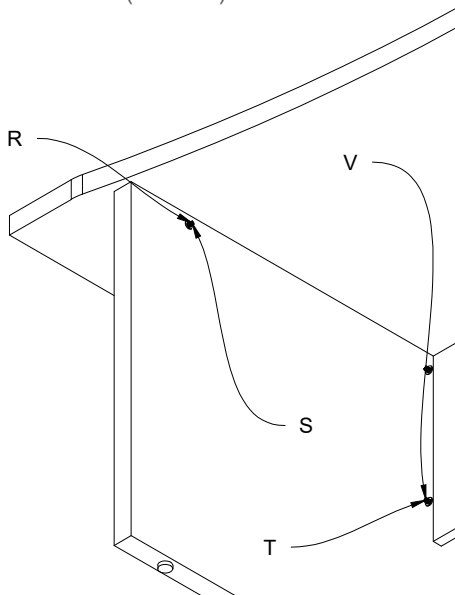


Fig.2 Serraggio grani (V e R) nei barilotti (T e S)  
Fig.2 Tighten the treaded screws (V and R) in the barrels (T and S)



7) Serraggio grani (V e R) nei barilotti(T e S)  
7) Tighten the treaded screws (V and R) in the barrels (T and S)

