

Ferramenta Hardware
 Componenti Components

Spina in legno 8x30 (P) Wooden pin 8x30 (P)



n°8

Piedini regolabili diam.=35 (Q) Adjustable feet diam.=35 (Q)



n°4

Grano 8x12 (R) Threaded screw 8x12 (R)



n°4

Barilotto 14x17.5 (S) Barrel 14x17.5 (S)



n°4

Barilotto 14x14 (T) Barrel 14x14 (T)



n°5

Tirante 7x33.5 (U) Tie-rod 7x33.5 (U)

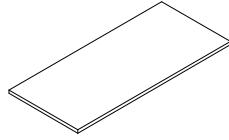


n°9

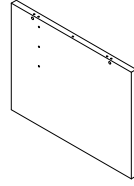
Grano 8x8 (V) Threaded screw 8x8 (V)



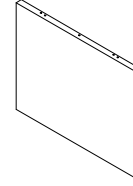
n°5



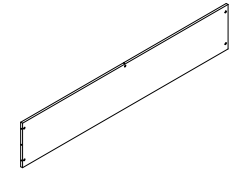
Piano (A)
 Top (A)



Fianco DX (B)
 R side (B)



Fianco SX (C)
 L side (C)



Traversa (D)
 Cross panel (D)

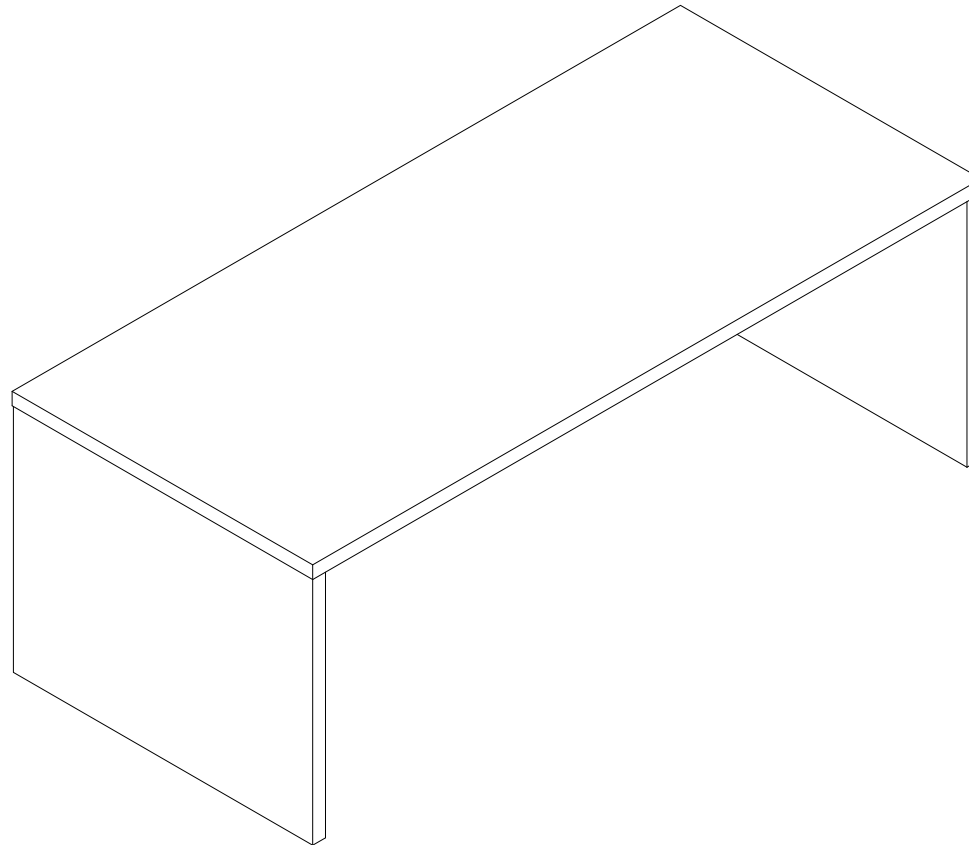


Fig.1 Posizionare spine (P), barilotti(S),tiranti(U) nei fianchi(B e C)
 Fig.1 Position the pins (P), barrels (S) and tie-rods (U) in the sides (B and C)

1) Posizionare le spine (P), i barilotti (S), i tiranti (U) e piedini (Q) nei fianchi (B e C).
 1) Position the pins (P), barrels (S), tie-rods (U) and feet (Q) in the sides (B and C)

2) Posizionare i barilotti (T) nella traversa (D).
 2) Position the barrels (T) in the cross panel (D)

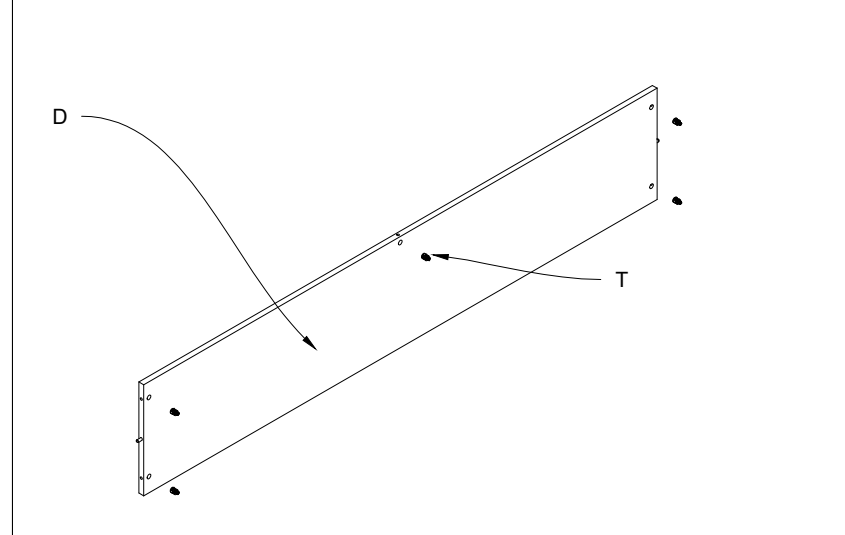
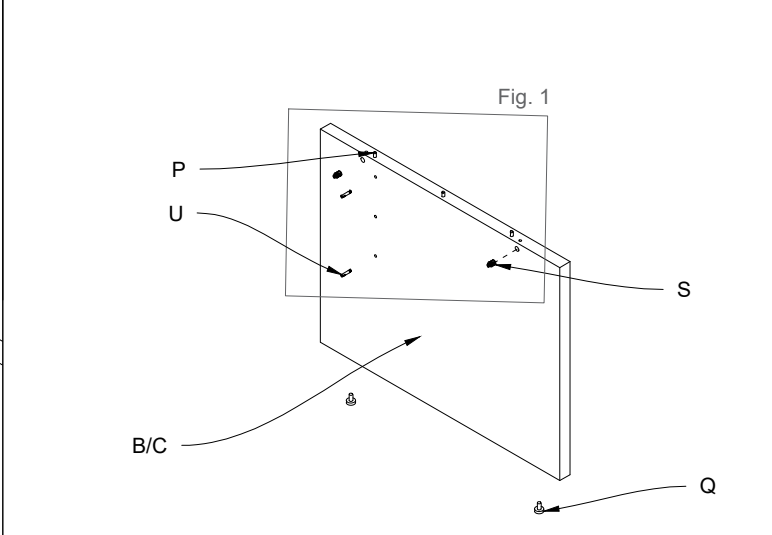
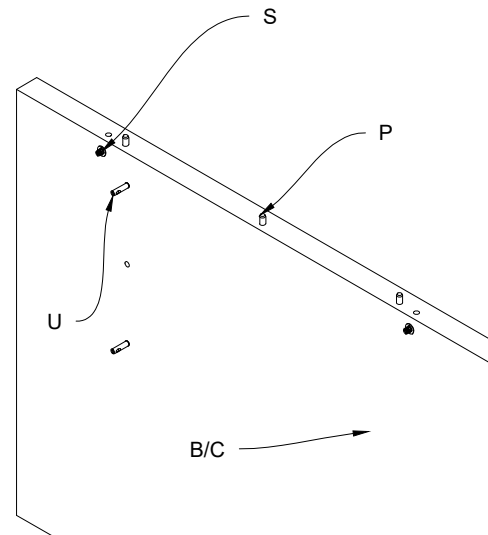


Fig.2 Posizionare tiranti(U) nel piano (A)
 Fig.2 Position the tie-rods (U) in the top (A)

3) Posizionare i tiranti (U) nel piano (A).
 3) Position the tie-rods (U) in the top (A)

4) Unire i fianchi (B e C) alla traversa (D) tramite le spine (P) e i tiranti (U)
 4) Unite the sides (B and C) to the cross panel (D) by means of the pins (P) and tie-rods (U)

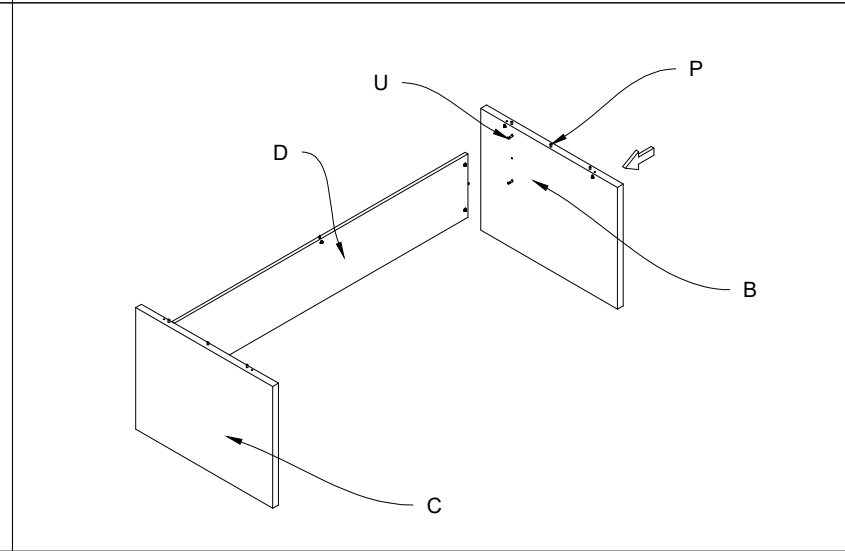
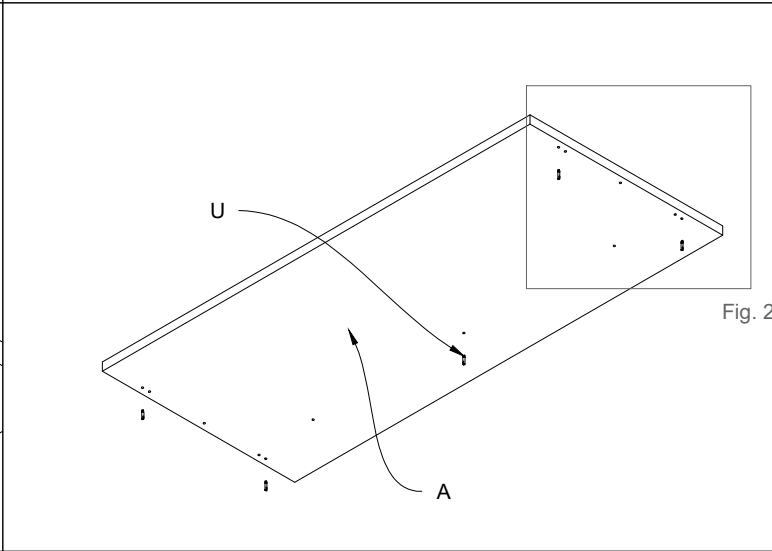
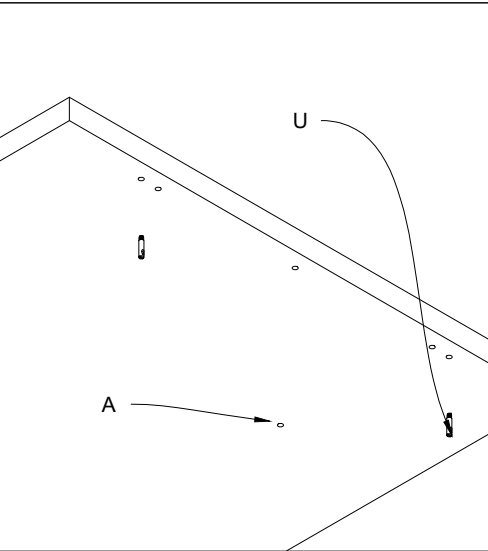
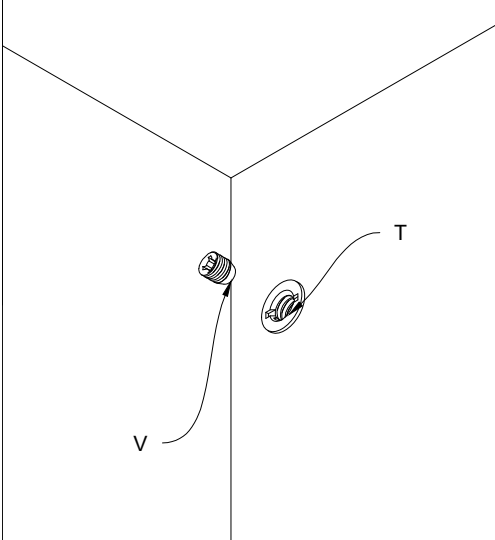


Fig.1 Serraggio grani (V) nei barilotti (T)
 Fig.1 Tighten the treaded screws (V) in the barrels (T)



5) Posizionare il piano (A), sopra la struttura e agganciarlo tramite le spine e i tiranti (U)
 5) Position the top (A) on top of structure and fasten it by means of the pins and tie-rods (U)

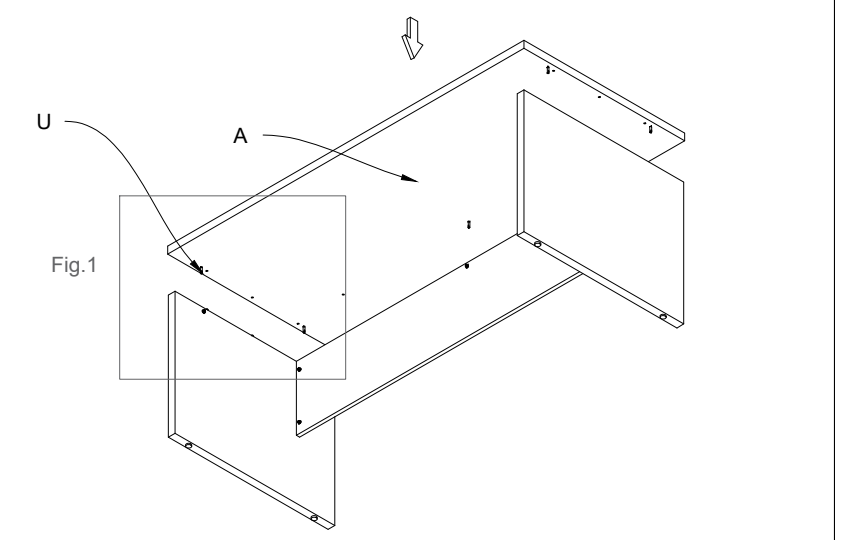


Fig.1 Serraggio grani (R) nei barilotti (S)
 Fig.1 Tighten the treaded screws (R) in the barrels (S)

