



Rev. **00**
 Data Date
 07/12/2020

Emissione Issuance
 Approvazione Approval

Schema di montaggio Assembly diagram

PR.0130 DX-SX 60x2.5x107 PR.0131 DX-SX 70x2.5x107 PR.0132 DX-SX 80x2.5x107
 PR.0133 DX-SX 90x2.5x107 PR.0134 DX-SX 100x2.5x107
 PR.0135 60x2.5x107 PR.0136 70x2.5x107 PR.0137 80x2.5x107 PR.0138 90x2.5x107
 PR.0139 100x2.5x107 PR.0141 2.5x2.5x140 PR.0143 2.5x2.5x140 PR.0145 2.5x2.5x140

Ferramenta Hardware	Componenti Components		Paretina intermedia (A) Intermediate partition (A)		Paretina DX/SX (B) R/L partition (B)		Montante (C) Junction column (C)		Staffe (D) "L" shaped brackets (D)
Bulloni 6x20 (Q) 	Bolt 6x20 (Q) n°40								
Bariotto 14x17.5 (R) 	Barrel 14x17.5 (R) n°24								
Grano 8x12 (S) 	Threaded screw 8x12 (S) n°24								
Tiranti 7x33.5 (T) 	Tie-rods 7x33.5 (T) n°8								
Tirante doppio 7x52 (U) 	Double tie-rod 7x52 (U) n°16								
Spine 8x30 (V) 	Wooden pins 8x30 (V) n°35								
Piedini (Z) 	Feet (Z) n°12								

Fig.1 Serraggio dei grani (S) nei barilotti (R)

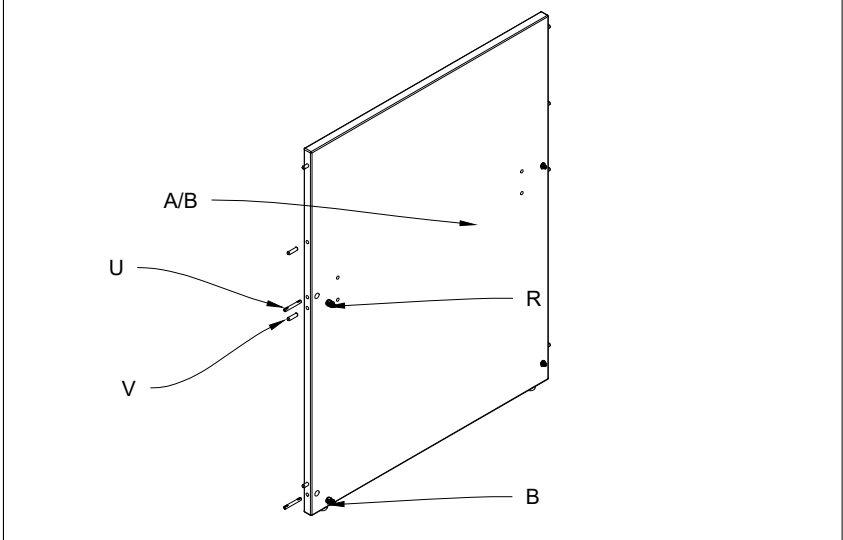
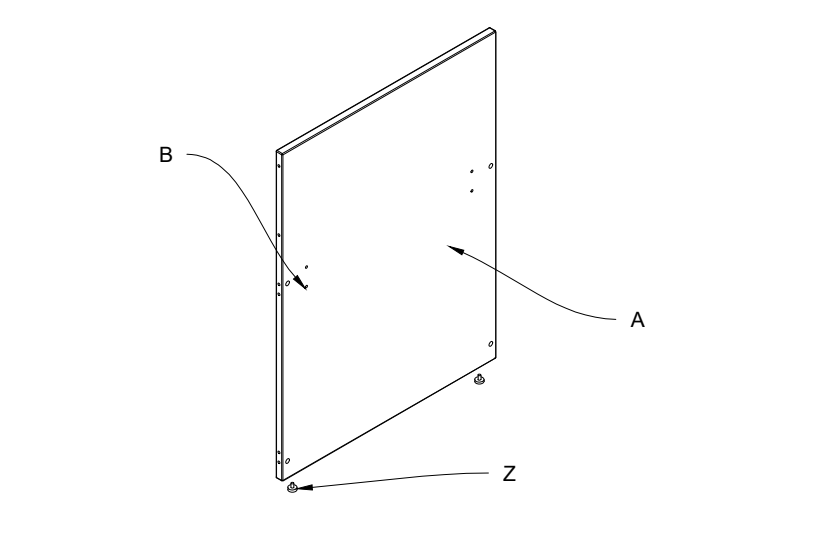
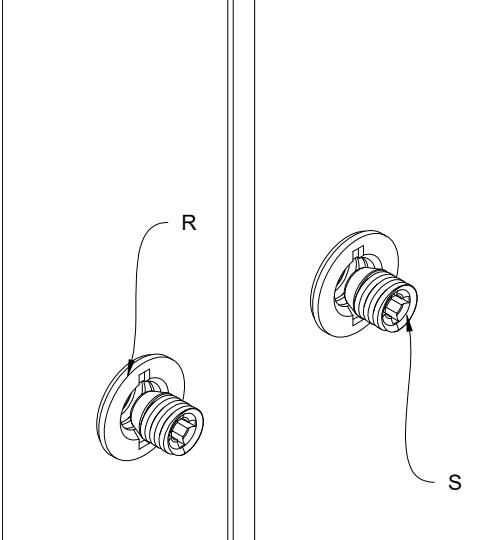
Fig.1 Tighten the threaded screws (S) in the barrels (R)

1) Inserire i piedini (Z) nelle pareti intermedie (A) e nelle pareti DX/SX (B).

1) Insert the feet (Z) in the intermediate (A) and R/L (B) partitions

2) Inserire le spine (V) i tiranti doppi (U) e i barilotti (R) nelle pareti (A e B)

2) Insert the wooden pins (V), double tie-rods (U) and barrels (R) in the partitions (A and B).



3) Unire le pareti intermedie (A) tramite le spine (V) e i tiranti doppi (U).

3) Unite the intermediate partitions (A) by means of the wooden pins (V) and double tie-rods (U)

4) Unire la parete intermedia (A) con la parete DX/SX (B) tramite il montante (C) le spine e i tiranti (T).

4) Unite the intermediate (A) and R/L (B) partition by means of the junction column (C), wooden pins and tie-rods (T)

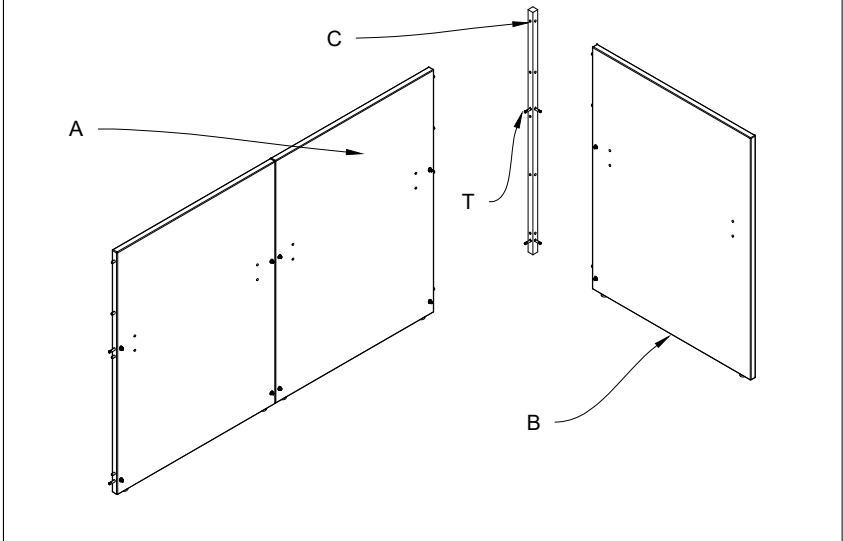
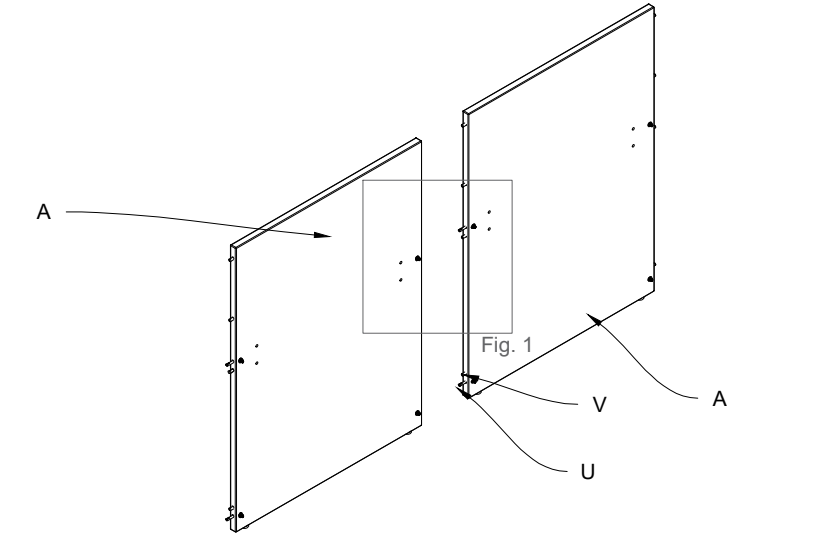
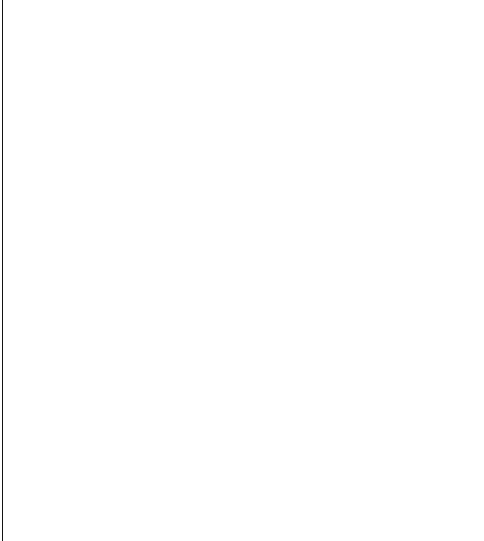


Fig.1 Unione delle staffe (D) al piano delle scrivanie tramite i bulloni (Q)
 Fig.1 Unite the "L" shaped brackets (D) to the desk tops by means of the bolts (Q)

5) Inserire le scrivanie nelle paretine (A/B) tramite le staffe (D)
 5) Insert the desks in the partitions (A/B) by means of the "L" shaped brackets (D)

