

Rev. **00**

Emissione Issuance

Data Date  
07/12/2020

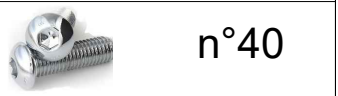
Approvazione Approval

# Schema di montaggio Assembly diagram

PR.0110 DX-SX 60x2.5x107 PR.0111 DX-SX 70x2.5x107 PR.0112 DX-SX 80x2.5x107  
PR.0113 DX-SX 90x2.5x107 PR.0114 DX-SX 100x2.5x107  
PR.0115 60x2.5x107 PR.0116 70x2.5x107 PR.0117 80x2.5x107 PR.0118 90x2.5x107  
PR.0119 100x2.5x107 PR.0140 2.5x2.5x107  
PR.0142 2.5x2.5x107 PR.0144 2.5x2.5x107

Ferramenta	Componenti
Hardware	Components

Bulloni 6x20 (Q)	Bolt 6x20 (Q)
------------------	---------------



Bariotto 14x17.5 (R)	Barrel 14x17.5 (R)
----------------------	--------------------



Grano 8x12 (S)	Threaded screw 8x12 (S)
----------------	-------------------------



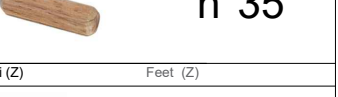
Tiranti 7x33.5 (T)	Tie-rods 7x33.5 (T)
--------------------	---------------------



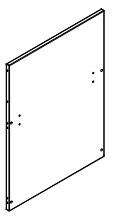
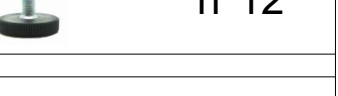
Tirante doppio 7x52 (U)	Double tie-rod 7x52 (U)
-------------------------	-------------------------



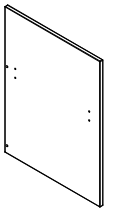
Spine 8x30 (V)	Wooden pins 8x30 (V)
----------------	----------------------



Piedini (Z)	Feet (Z)
-------------	----------



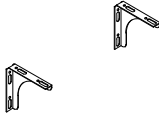
Paretina intermedia (A)  
Intermediate partition (A)



Paretina DX/SX (B)  
R/L partition (B)



Montante (C)  
Junction column (C)



Staffe (D)  
"L" shaped brackets (D)

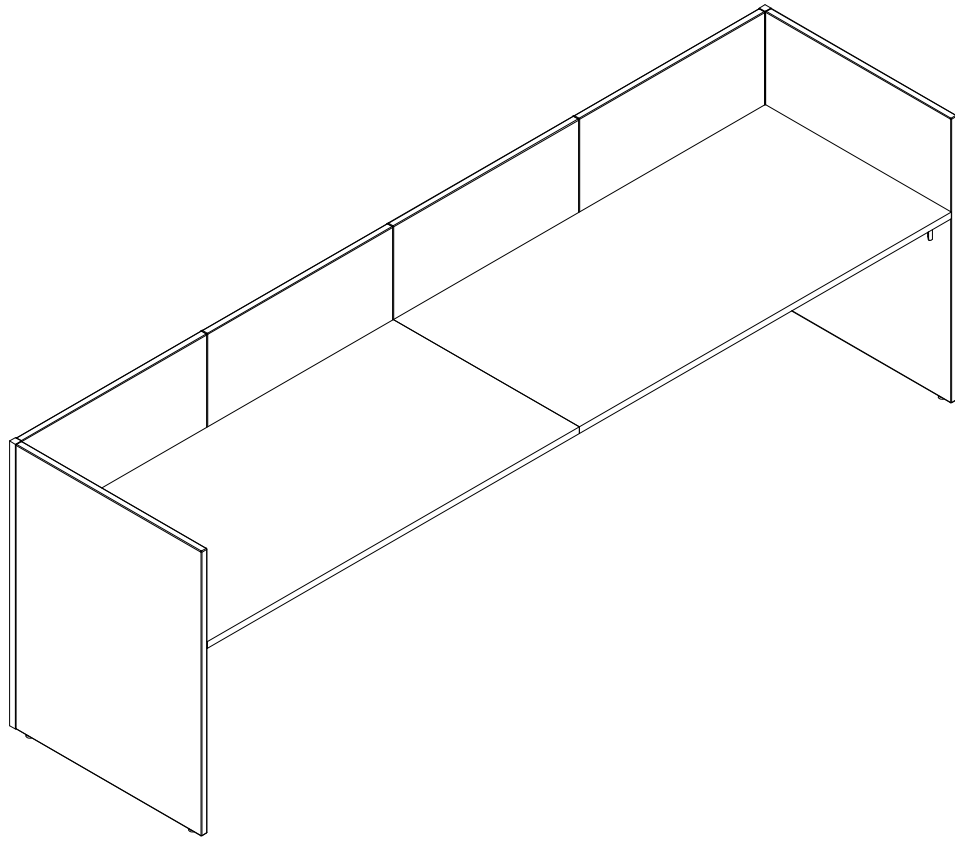
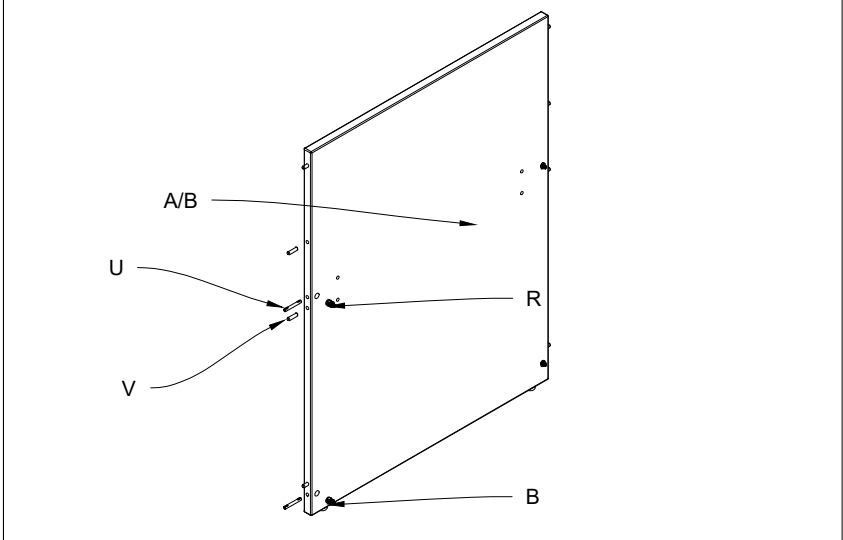
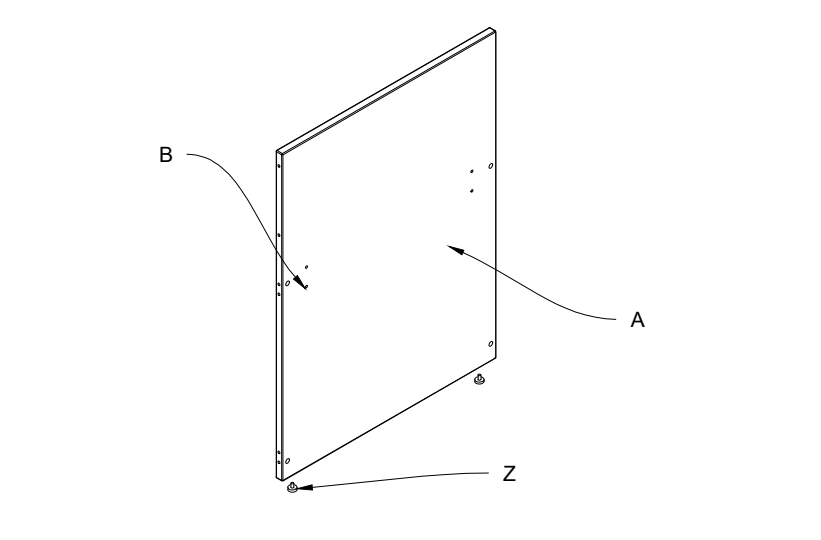
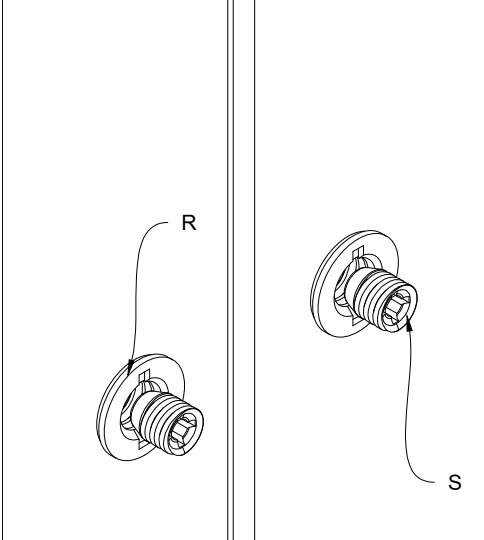


Fig.1 Serraggio dei grani (S) nei barilotti (R)  
 Fig.1 Tighten the threaded screws (S) in the barrels (R)

1) Inserire i piedini (Z) nelle pareti intermedie (A) e nelle pareti DX/SX (B).  
 1) Insert the feet (Z) in the intermediate (A) and R/L (B) partitions

2) Inserire le spine (V) i tiranti doppi (U) e i barilotti (R) nelle pareti (A e B)  
 2) Insert the wooden pins (V), double tie-rods (U) and barrels (R) in the partitions (A and B).



3) Unire le pareti intermedie (A) tramite le spine (V) e i tiranti doppi (U).  
 3) Unite the intermediate partitions (A) by means of the wooden pins (V) and double tie-rods (U)

4) Unire la parete intermedia (A) con la parete DX/SX (B) tramite il montante (C) le spine e i tiranti (T).  
 4) Unite the intermediate (A) and R/L (B) partition by means of the junction column (C), wooden pins and tie-rods (T)

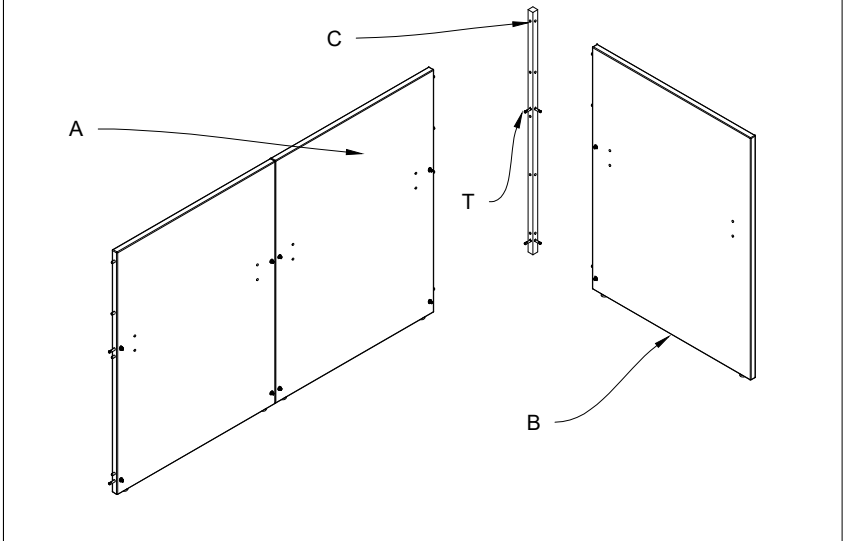
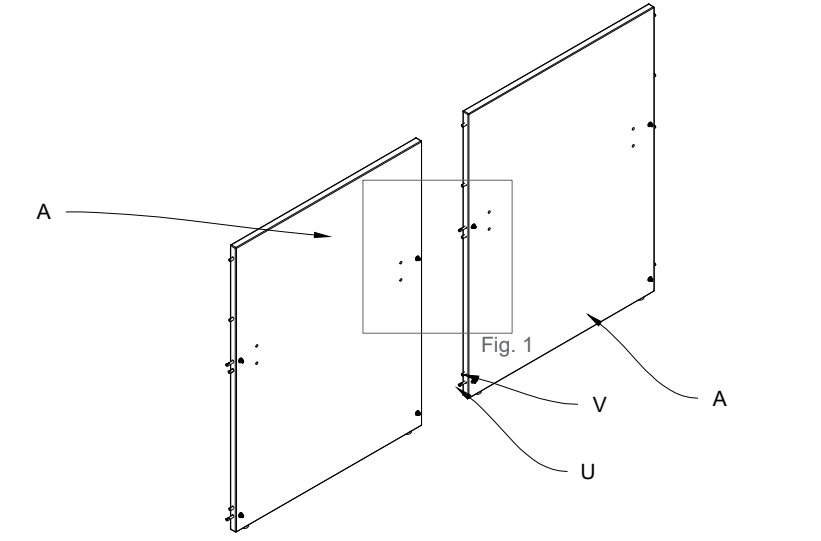
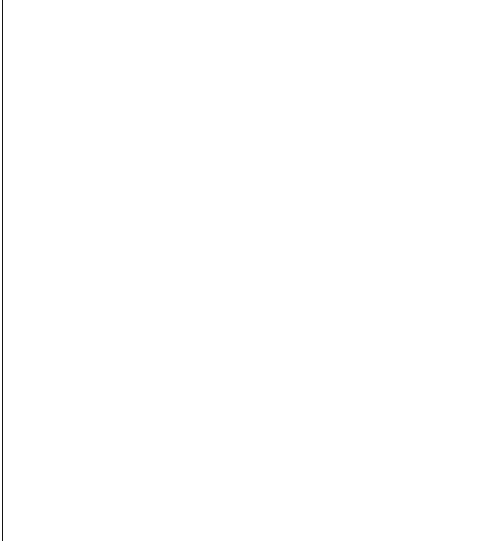


Fig.1 Unione delle staffe (D) al piano delle scrivanie tramite i bulloni (Q)  
 Fig.1 Unite the "L" shaped brackets (D) to the desk tops by means of the bolts (Q)

5) Inserire le scrivanie nelle paretine (A/B) tramite le staffe (D)  
 5) Insert the desks in the partitions (A/B) by means of the "L" shaped brackets (D)

