

Fig.1 Serraggio dei grani (S) nei barilotti (R)

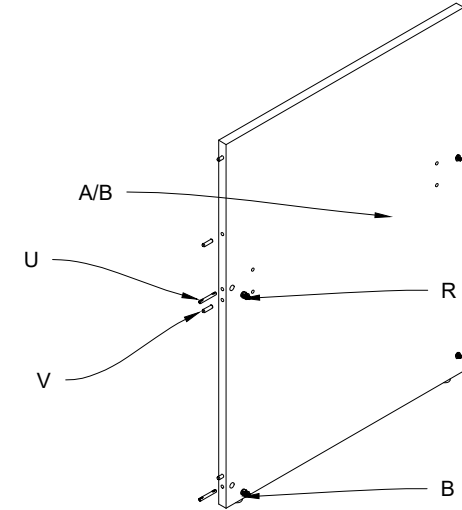
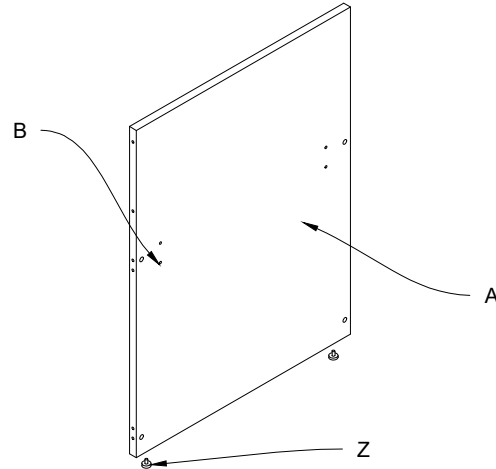
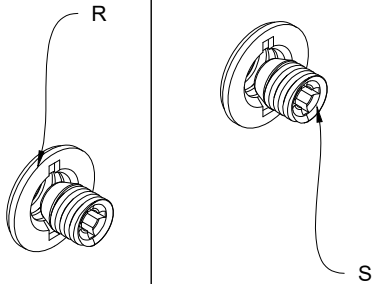
Fig.1 Tighten the threaded screws (S) in the barrels (R)

1) Inserire i piedini (Z) nelle pareti intermedie (A) e nelle pareti DX/SX (B).

1) Insert the feet (Z) in the intermediate (A) and R/L (B) partitions

2) Inserire le spine (V) i tiranti doppi (U) e i barilotti (R) nelle pareti (A e B)

2) Insert the wooden pins (V), double tie-rods (U) and barrels (R) in the partitions (A and B).



3) Unire le pareti intermedie (A) tramite le spine (V) e i tiranti doppi (U).

3) Unite the intermediate partitions (A) by means of the wooden pins (V) and double tie-rods (U)

4) Unire la parete intermedia (A) con la parete DX/SX (B) tramite il montante (C) le spine e i tiranti (T).

4) Unite the intermediate (A) and R/L (B) partition by means of the junction column (C), wooden pins and tie-rods (T)

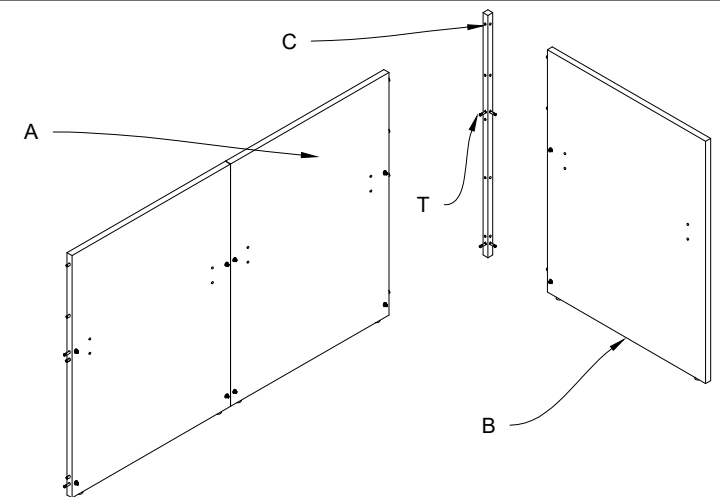
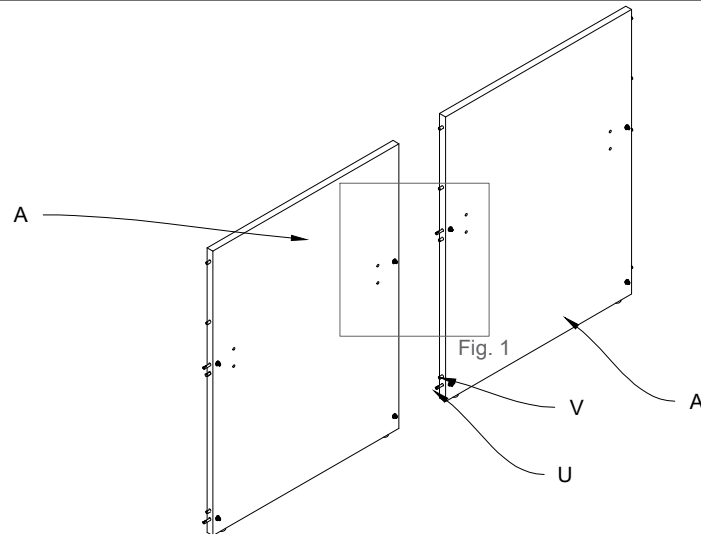


Fig.1 Unione delle staffe (D) al piano delle scrivanie tramite i bulloni (Q)
 Fig.1 Unite the "L" shaped brackets (D) to the desk tops by means of the bolts (Q)

5) Inserire le scrivanie nelle paretine (A/B) tramite le staffe (D)
 5) Insert the desks in the partitions (A/B) by means of the "L" shaped brackets (D)

