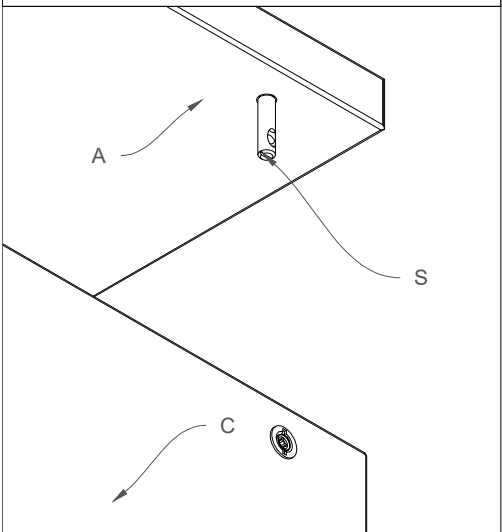




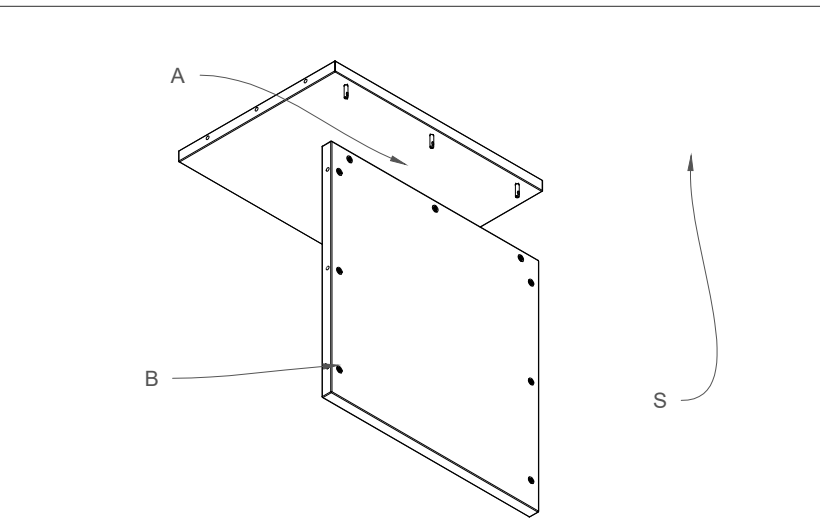
Fig.1 Unione del pannello superiore (A) ai fianchi (C) tramite i tiranti (S).

Fig.1 Unite the upper panel (A) to the sides (C) by means of the tie-rods (S)



1) Inserire il pannello superiore (A) e il pannello frontale (B) tramite i tiranti (S)

1) Insert the upper panel (A) and frontal panel (B) by means of the tie-rods (S)



2) Unire i fianchi (C) al pannello superiore (A) e frontale (B) tramite i tiranti (S)

2) Unite the sides to the upper panel (A) and frontal panel (B) by means of the tie-rods (S)

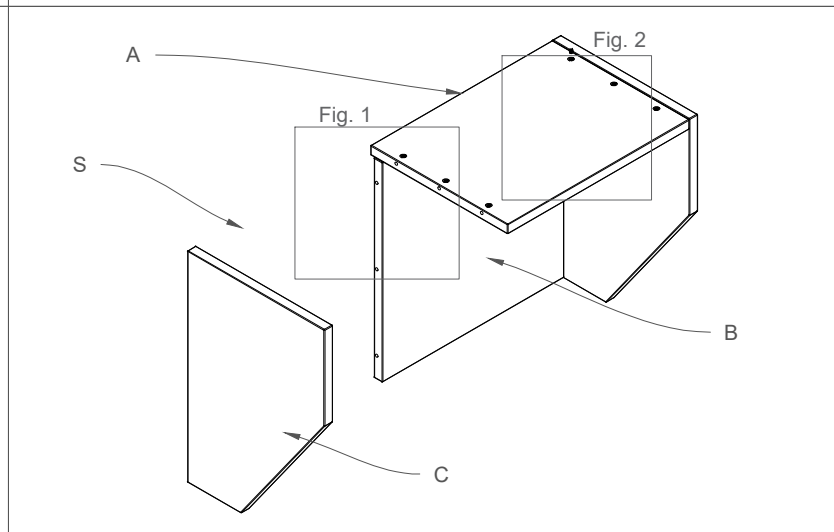
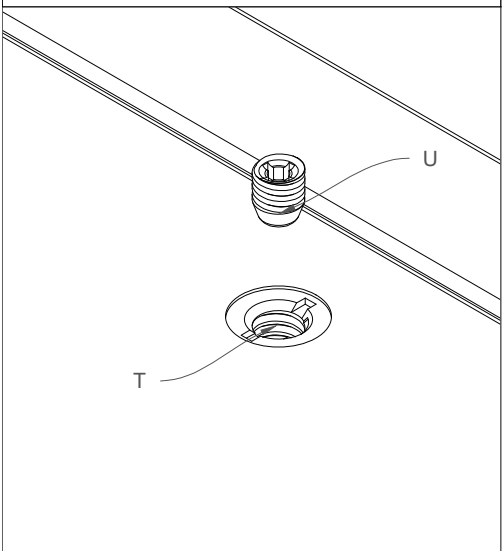


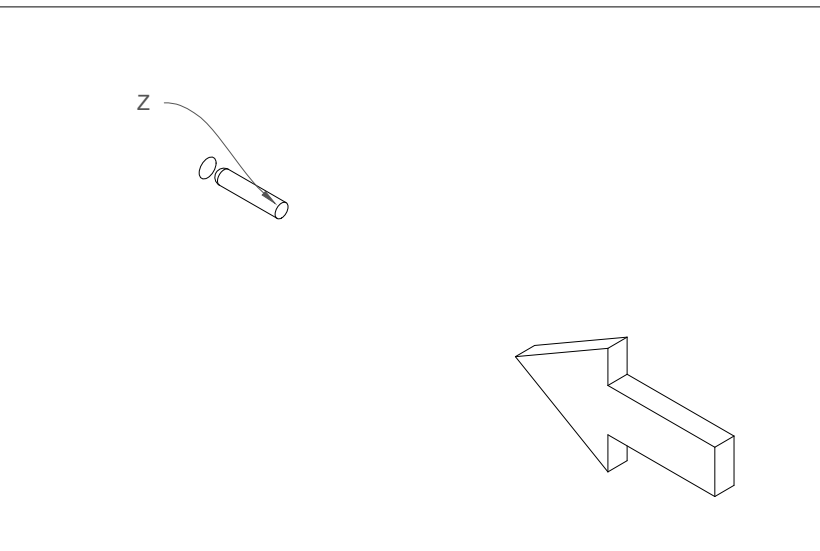
Fig.2 Serraggio del grano (U) nei barilotti (T).

Fig.2 Tighten the threaded screws (U) in the barrels (T).



3) Inserire i tasselli (Z) nei fori del muro.

3) Insert the dowels (Z) in the wall holes.



4) Fissare una parte della staffa per pensile (P) a muro tramite e le viti (V)

4) Fasten a part of the wall unit bracket (P) to the wall by means of the screws (V)

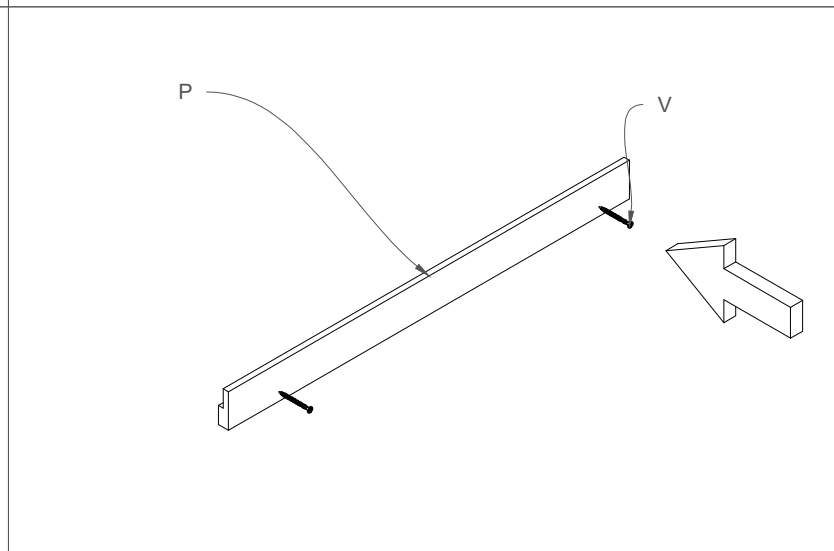
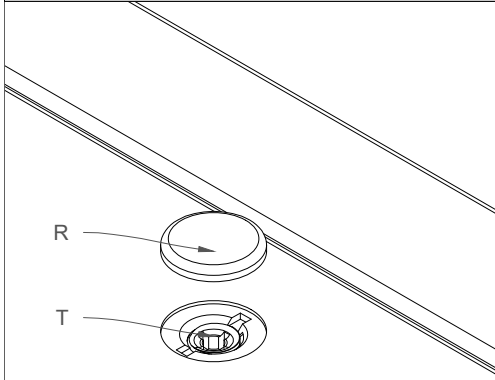


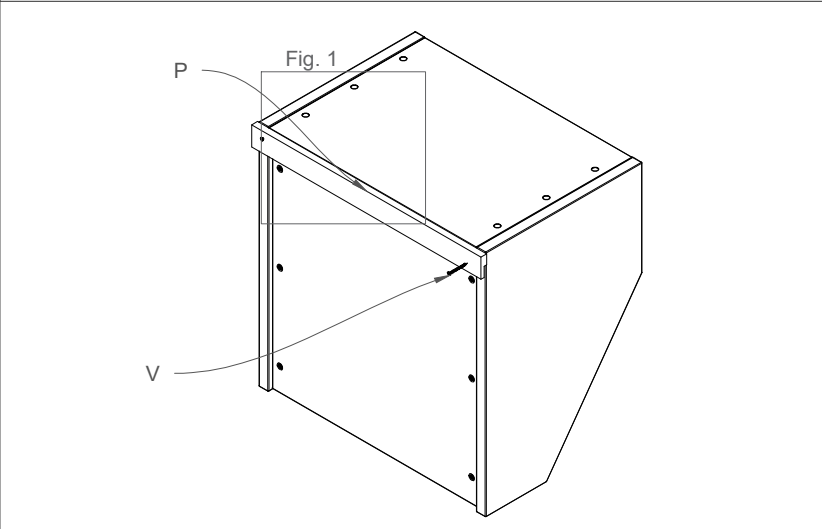
Fig.1 Inserire i tappi copri barilotti (R) nei barilotti (T)

Fig.1 Insert the barrel caps (R) in the barrels (T)



5) Fissare la seconda parte della staffa (P) tramite le viti (V) al phone booth

5) Fasten the second part of the wall unit bracket (P) to the phone booth by means of the screws (V)



6) Fissare il phone booth a muro tramite la staffa (P)

6) Fasten the phone booth to the wall by means of the wall unit bracket (P)

