

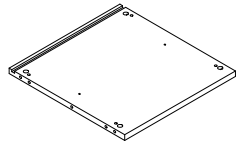
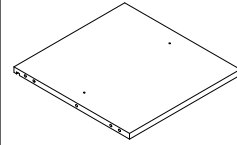
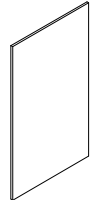

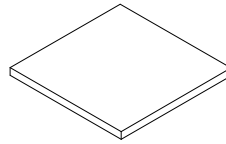
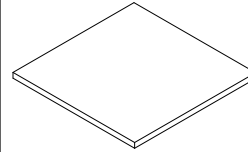







# Schema di montaggio Assembly diagram

35-45 UN.1041 - UN.2041 30x117.9  
 35-45 UN.1042 - UN.2042 40x117.9  
 35-45 UN.1043 - UN.2043 45x117.9  
 35-45 UN.1044 - UN.2044 50x117.9  
 35-45 UN.1045 - UN.2045 60x117.9

Ferramenta Hardware	Componenti Components		Coppia fianchi (A) Pair of sides (A)		Base (B) Base (B)		Cappello (C) Top (C)		Retro (D) Back panel (D)
Viti 4x30 (I) 	Screws 4x30 (I) <b>n°4</b>								
Reggipiani (L) 	Shelf supports (L) <b>n°8</b>				Ripiani regolabili (F) Adjustable shelves (F)		Top (G) Finished top (G)		
Spina 8x30 (M) 	Wooden pin 8x30 (M) <b>n°12</b>								
Tirante 7x33.5 (N) 	Tie-rod 7x33.5 (N) <b>n°8</b>								
Bariotto 14x14 (O) 	Barrel 14x14 (O) <b>n°8</b>								
Grano 8x8 (P) 	Threaded screw 8x8 (P) <b>n°8</b>								
Piedino (U) 	Foot (U) <b>n°4</b>								

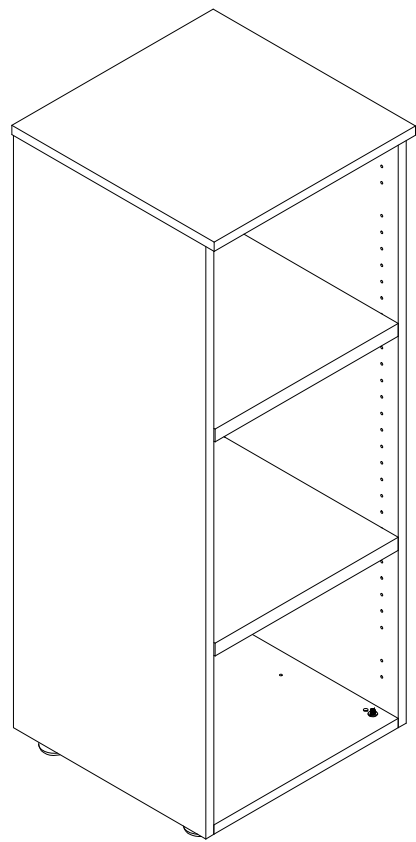


Fig.1 Unire il cappello (C) con il fianco (A) tramite barilotti(O) tiranti (N) e spine (M).  
Fig.1 Unite the top (C) to the side (A) by means of the barrels (O), tie-rods (N) and wooden pins (M).

1) Posizionare un fianco (A) sul pavimento, inserendo tramite le spine (M), barilotti (O) e i tiranti (N) la base (B) e il cappello (C).  
1) Position one side (A) on the floor, insert the base (B) and top (C) by means of the wooden pins (M), barrels (O) and tie-rods (N).

2) Inserire il retro (D) nella fresata, effettuata su un fianco (A) e sulla base (B) e cappello (C).  
2) Insert the back panel (D) in the side (A), base (B) and top (C) slots.

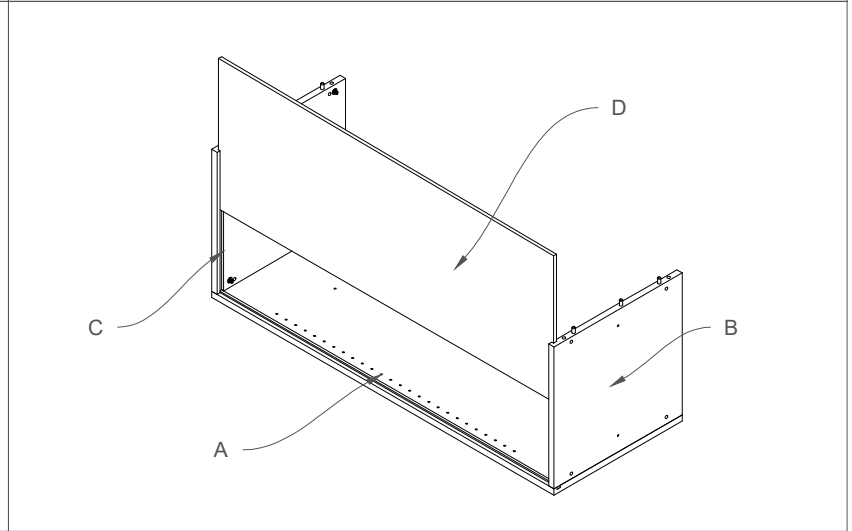
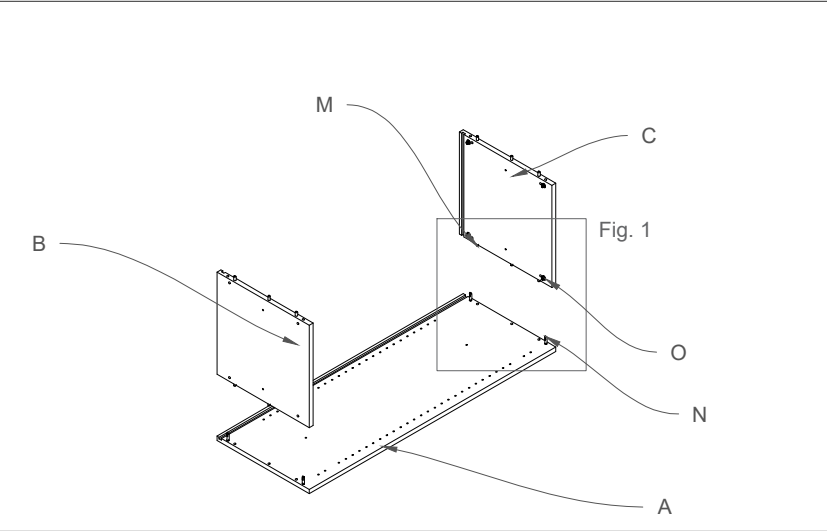
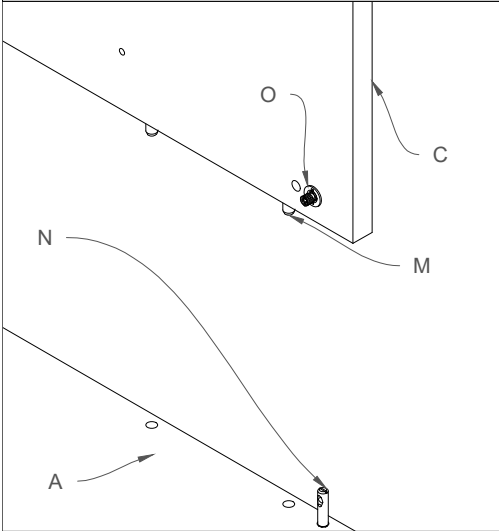


Fig.2 Inserire il fianco (A) e serrare i grani (P).  
Fig.2 Insert the side (A) and tighten the threaded screws (P).

3) Inserire Il secondo fianco (A) tramite spine (M) e tiranti (N) e inserire i piedini (U) nella base (B).  
3) Insert the second side (A) by means of the wooden pins (M) and tie-rods (N), insert the feet (U) in the base (B).

4) Ruotare il cabinet ed inserire i ripiani mobili (F) negli appositi reggipiani (L).  
4) Rotate the cabinet and insert the adjustable shelves (F) in the appropriate shelf supports (L).

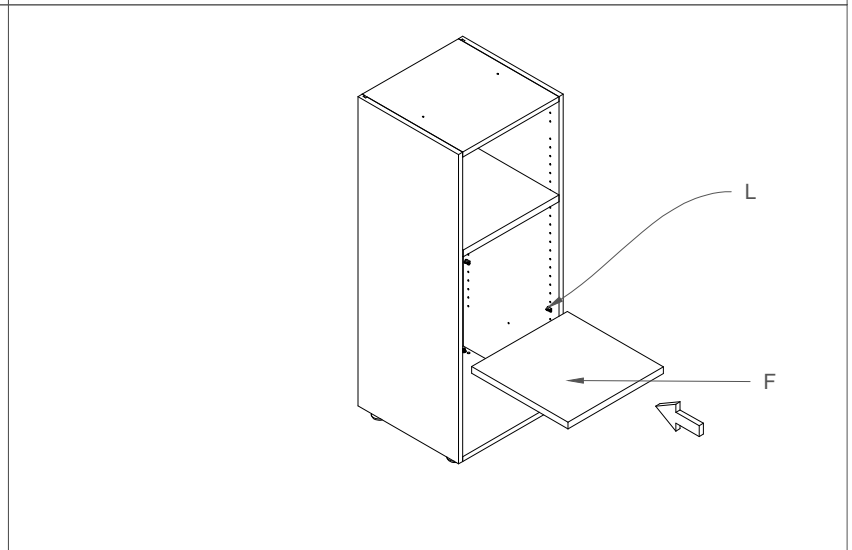
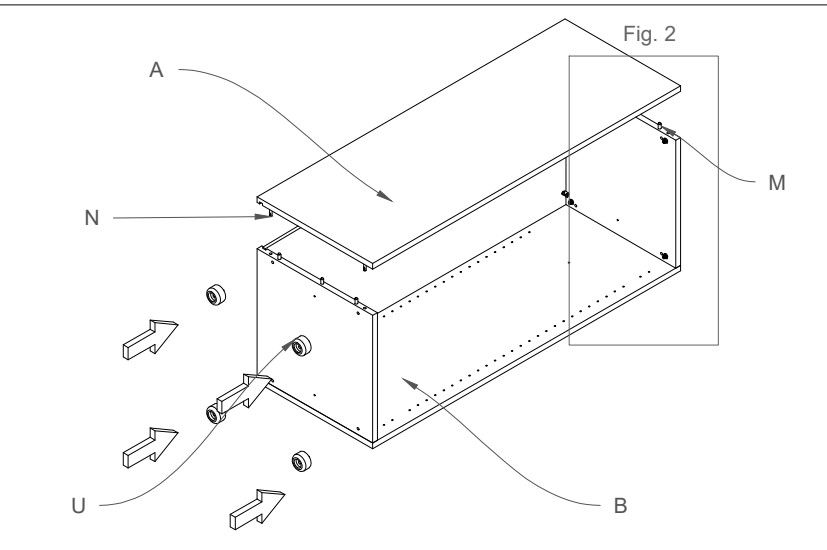
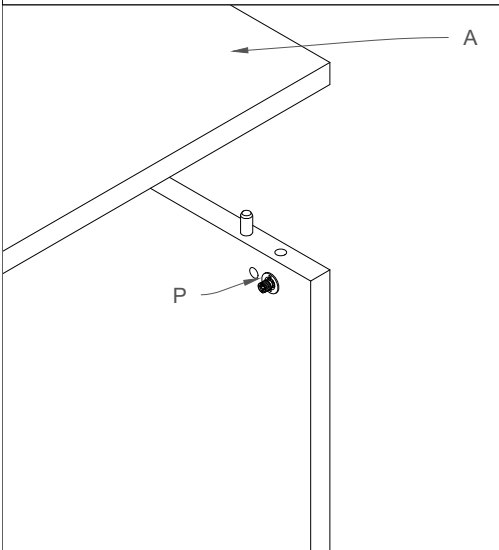
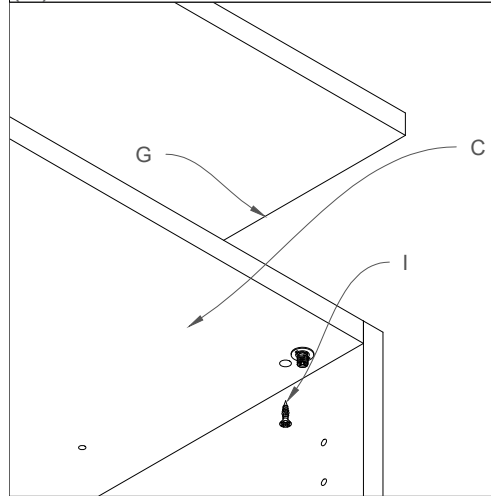


Fig.1 Inserire le viti (I) attraverso le preforature del cappello (C) e forare finché non si aggancia il top (G).  
 Fig.1 Insert the screws (I) in function to the pre-drilled holes in the top (C) and perforate until the finished top is fastened (G).



7) Posizionare il top (G) sul cappello (C) .  
 7) Position the finished top (G) above the top (C) .

