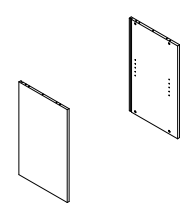
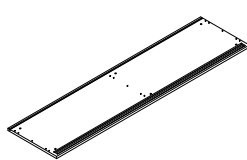
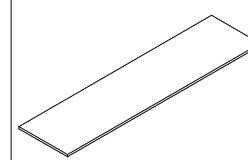
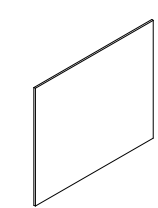

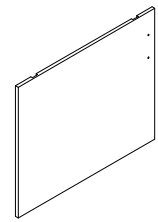
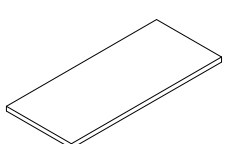
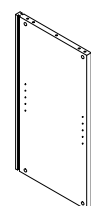




Ferramenta Hardware	Componenti Components		Coppia fianchi (A) Pair of sides (A)		Base (B) Base (B)		Cappello (C) Top (C)		Retro (D) Back panel (D)
Reggipiani (L) Shelf supports (L)	n°8 		Ante (E) Doors (E)		Ripiani regolabili (F) Adjustable shelves (F)		Fianco intermedio (G) Intermediate side (G)		
Spina 8x30 (M) Wooden pin 8x30 (M)	n°18 								
Tirante 7x33.5 (N) Tie-rod 7x33.5 (N)	n°12 								

Bariotto 14x14 (O) Barrel 14x14 (O)	n°8 	Bullone 4x25 (Y) Bolt 4x25 (Y)	n°4 
Grano 8x8 (P) Threaded screw 8x8 (P)	n°8 	Maniglie (Z) Handles (Z)	n°2 
Ferramenta scorrevole (Q) Sliding hardware (Q)	n°4 	Chiave esagonale Hexagonal key	n°1 
Viti 3.5x18 (R) Screws 3.5x18 (R)	n°16 		
Blocco ante (S) Door blocker (S)	n°2 		
Piedino (T) Foot (T)	n°6 		
Bariotto 14x17.5 (U) Barrel 14x17.5 (U)	n°4 		
Grano 8x12 (V) Threaded screw 8x12 (V)	n°4 		

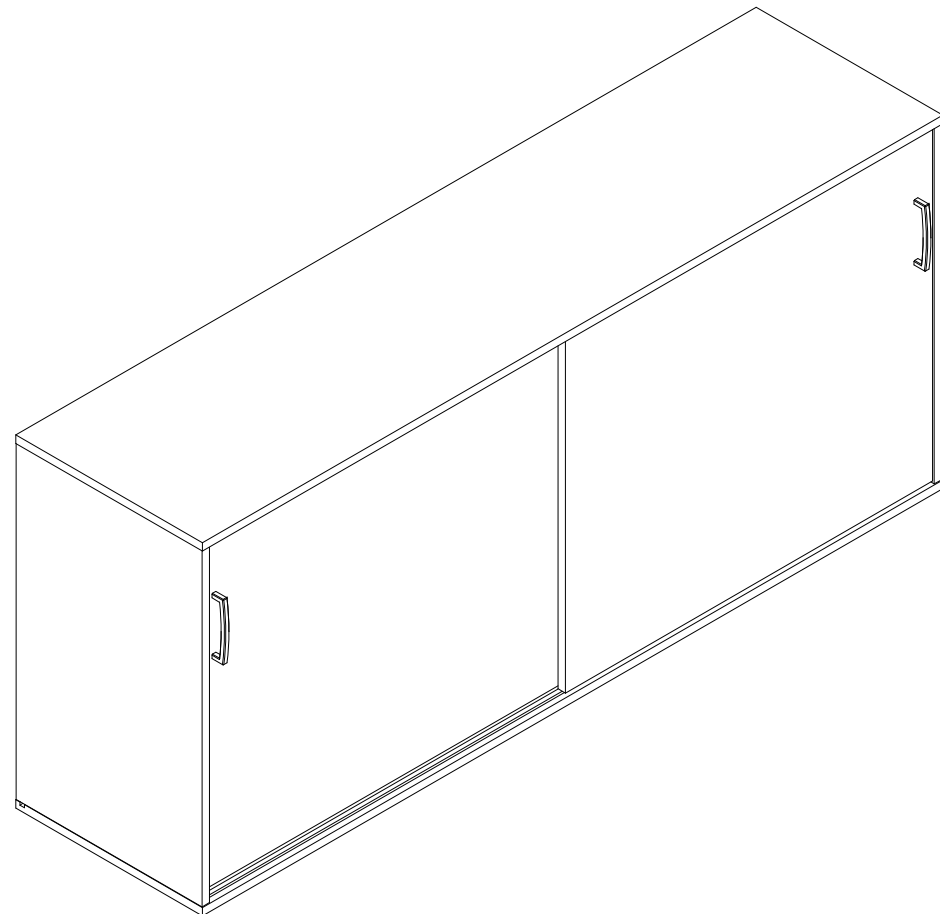
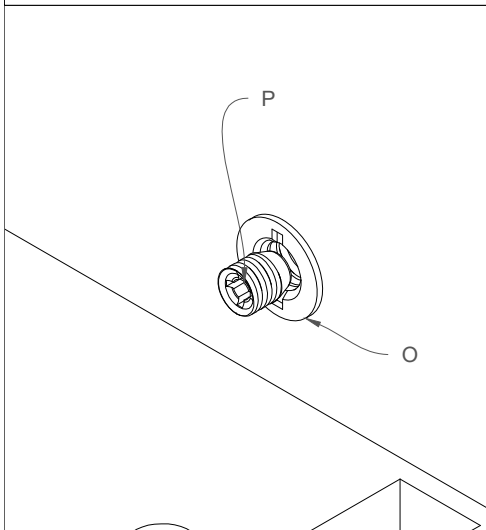
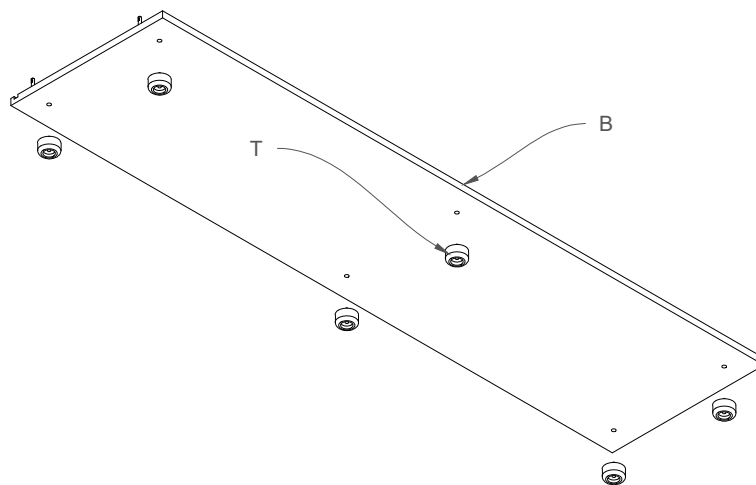


Fig.1 Serraggio dei grani (P) nei barilotti (O)
 Fig.1 Tighten the threaded screws (P) in the barrels (O)



1) Inserire i piedini (T) nella base (B).

1) Insert the feet (T) in the base (B)



2) Inserire i fianchi (A) e il fianco intermedio (G) nella base (B) tramite i tiranti (N) e le spine (M).
 2) Insert the sides (A) and the intermediate side (G) in the base (B) by means of the tie-rods (N) and the wooden pins (M)

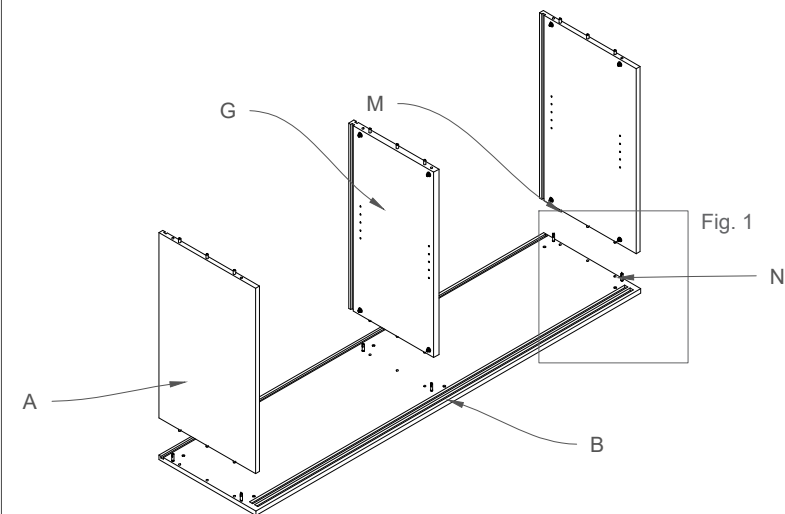
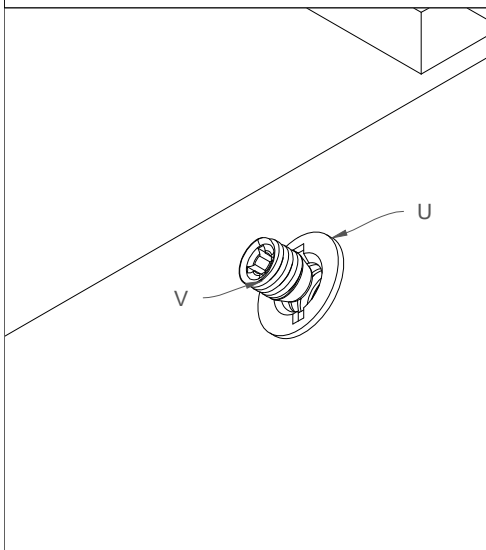
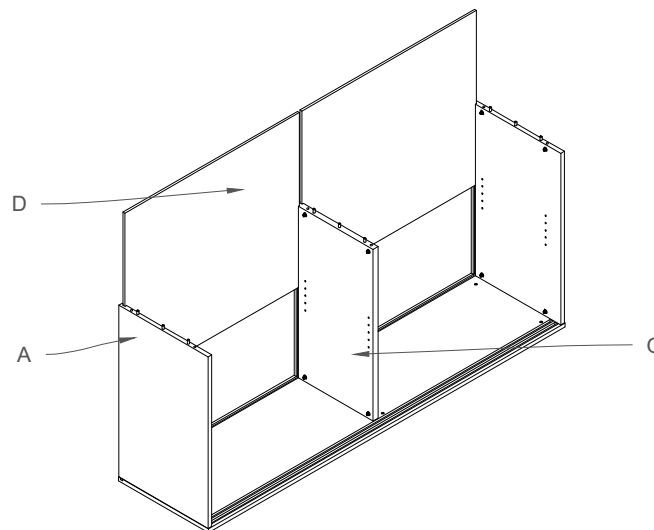


Fig.2 Serraggio dei grani (V) nei barilotti (U)
 Fig.2 Tighten the threaded screws (V) in the barrels (U)



3) Inserire i retri (D) tra i fianchi (A e G).

3) Insert the back panels (D) in between the sides (A and G)



4) Inserire il cappello (C) tramite le spine (M) e i tiranti (N).

4) Insert the top (C) by means of the wooden pins (M) and tie-rods (N)

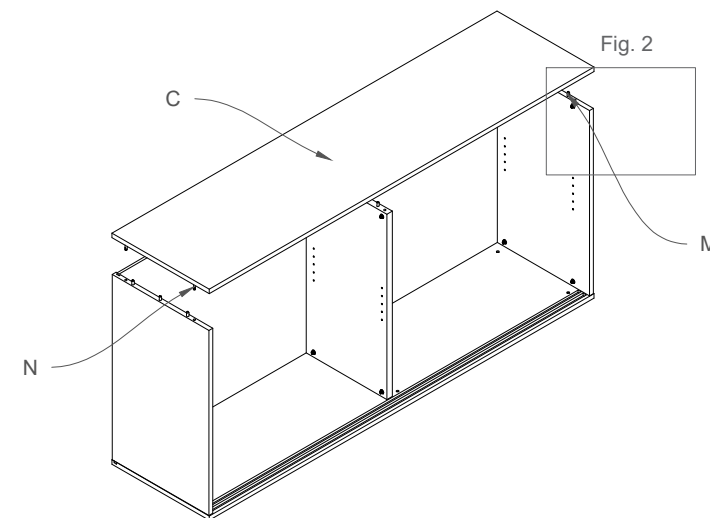
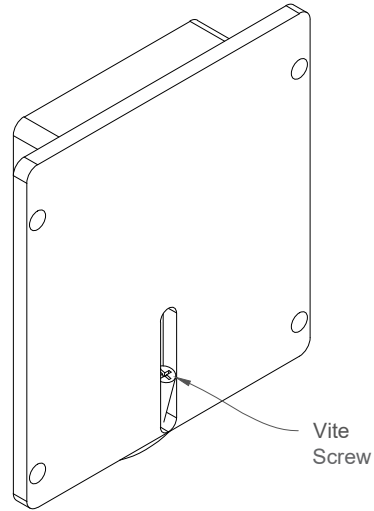
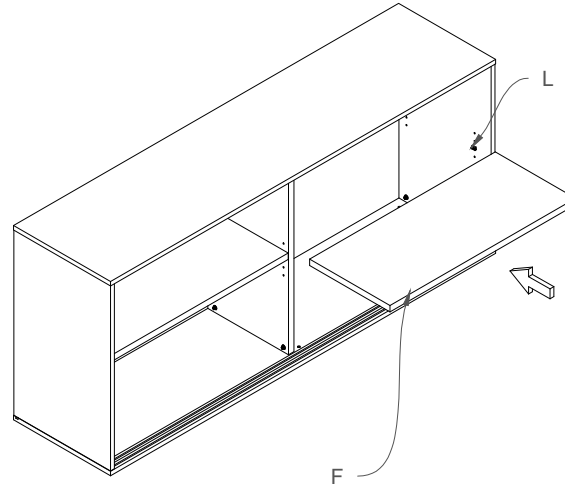


Fig.1 Regolare l'altezza delle ruote tramite la vite.
Fig.1 Adjust the height of the wheels by means of the screw



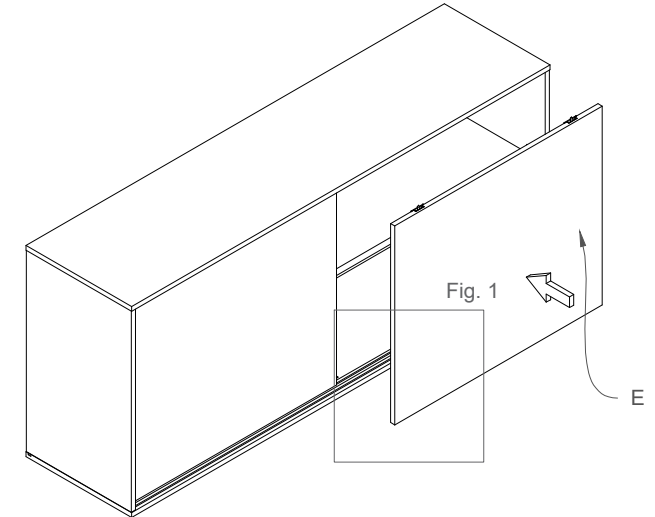
5) Inserire i ripiani regolabili (F) nel cabinet tramite i reggipiani (L).

5) Insert the height adjustable shelves (F) in the cabinet by means of the shelf supports (L)



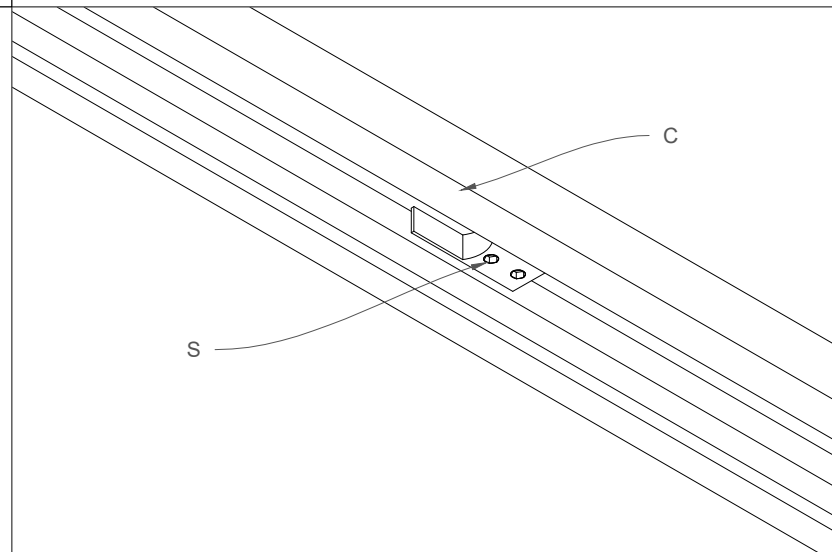
6) Inserire le ante (E) nel cabinet e regolarle.

6) Insert and adjust the doors (E) in the cabinet



7) Regolare il blocco ante (S) posizionate nel cappello (C) per indicare il fine corsa delle ante scorrevoli.

7) Adjust the door blocker (S) positioned in the top (C) to indicate the final motion of the sliding doors



8) Usare le preforature per inserire le maniglie (Z) nelle ante (E) tramite i bulloni (Y).

8) Use the pre-drilled holes to insert the handles (Z) in the doors (E) by means of the bolts (Y)

