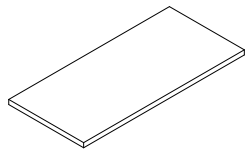
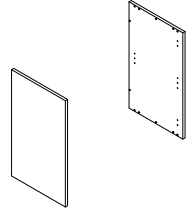
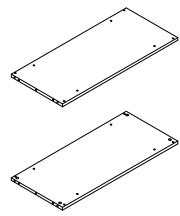
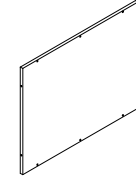
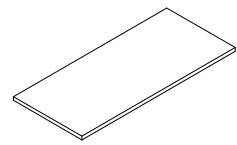
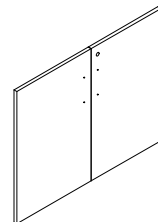


Ferramenta Hardware	Componenti Components		Top (A) Top (A)		Fianchi (B) Sides (B)		Base e Cappello (C) Base and Top (C)		Retro (D) Back panel (D)
Maniglia (I) Handle (I)	n°2								
Bullone 4x25 (L) Bolt 4x25 (L)	n°4		Ripiano (E) Shelf (E)		Ante (F) Doors (F)				
Cerniera (M) Hinge (M)	n°4								

Basetta (N) Hinge base (N)	n°4	Bullone da 6x30 (V) Bolt 6x30 (V)	n°4
Viti (O) Screws (O)	n°10	Piedini regolabili diam.=35 (Z) Adjustable feet diam.=35 (Z)	n°4
Serratura (P) Lock (P)	n°1	Chiave esagonale Hexagonal key	n°1
Barilotto 14x14 (Q) Barrel 14x14 (Q)	n°8		
Grano 8x8 (R) Threaded screw 8x8 (U)	n°8		
Tirante 7x33.5 (S) Tie-rod 7x33.5 (U)	n°8		
Spina in legno 8x30 (T) Wooden pin 8x30 (U)	n°22		
Reggipiano (U) Shelf support (U)	n°4		

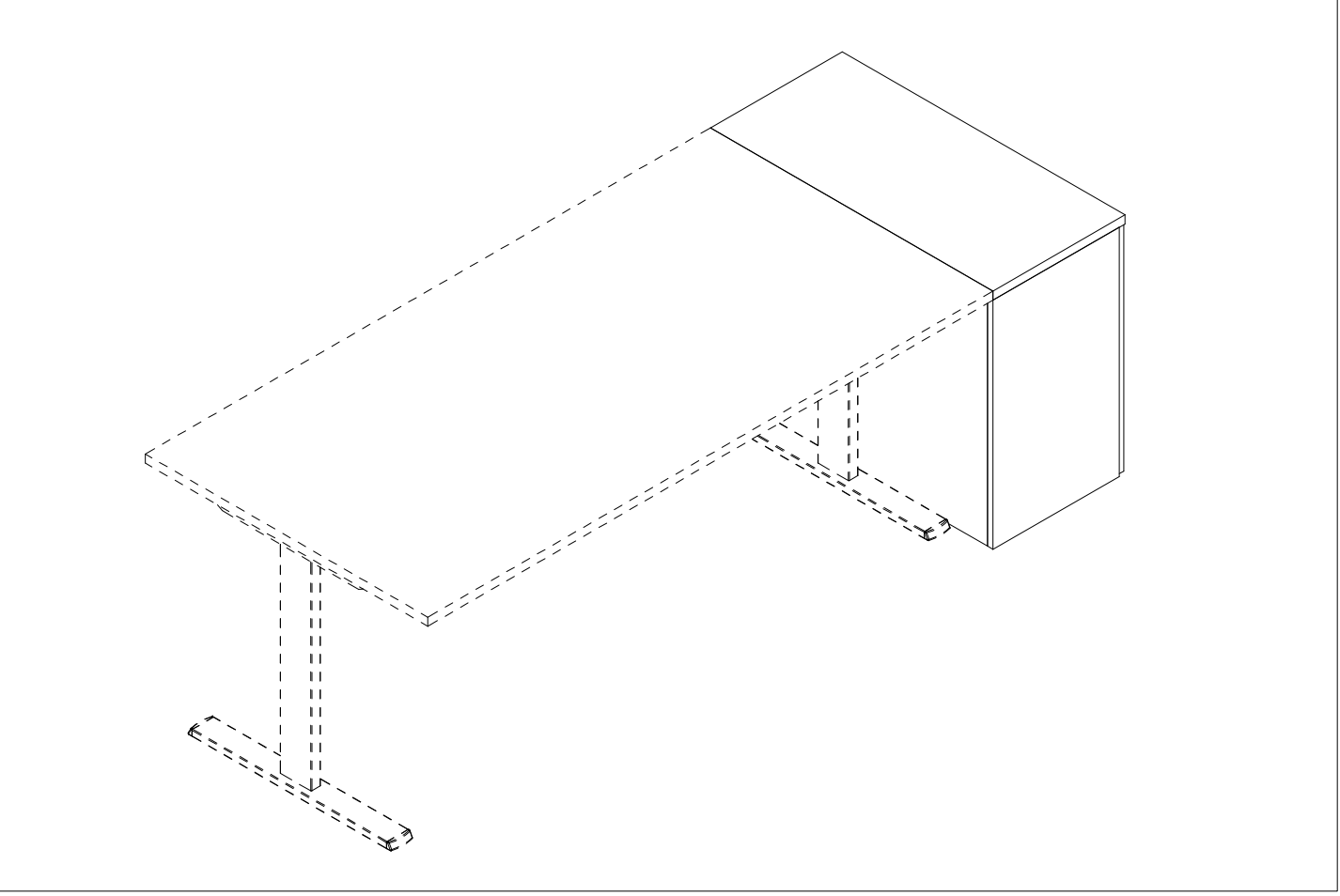
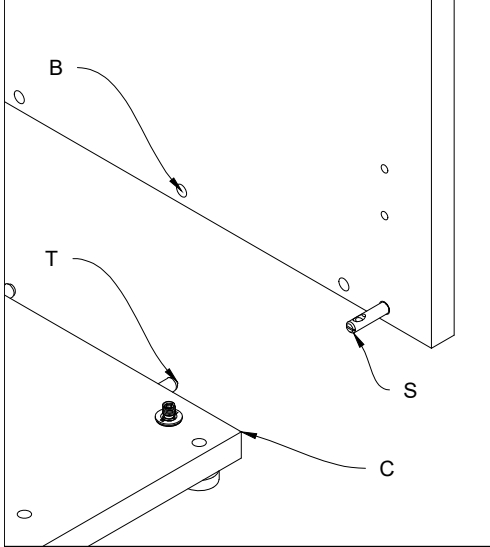
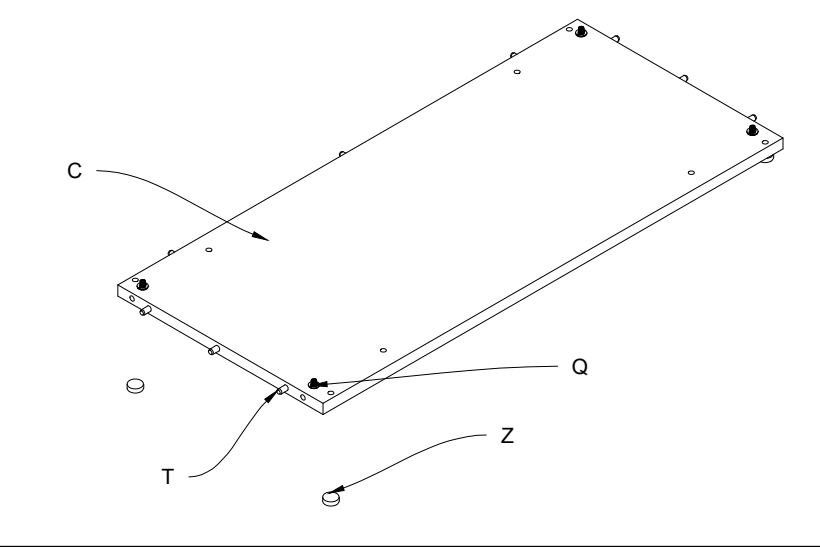


Fig.1 Unione del fianco (B) e della base (C) tramite spine (T) e tiranti (S).
 Fig.1 Unite the side (B) and base (C) by means of the wooden pins (T) and tie-rods (S)



1) Inserire le spine (T), i barilotti (Q) e i piedini (Z) nella base (C).
 1) Insert the wooden pins (T), barrels (Q) and feet (Z) in the base (C)



2) Unire un fianco (B) con la base, cappello (C) e retro (D) tramite i tiranti (S) e le spine (T).
 2) Unite one side to the base, top (C) and back panel (D) by means of the tie-rods (S) and wooden pins (T)

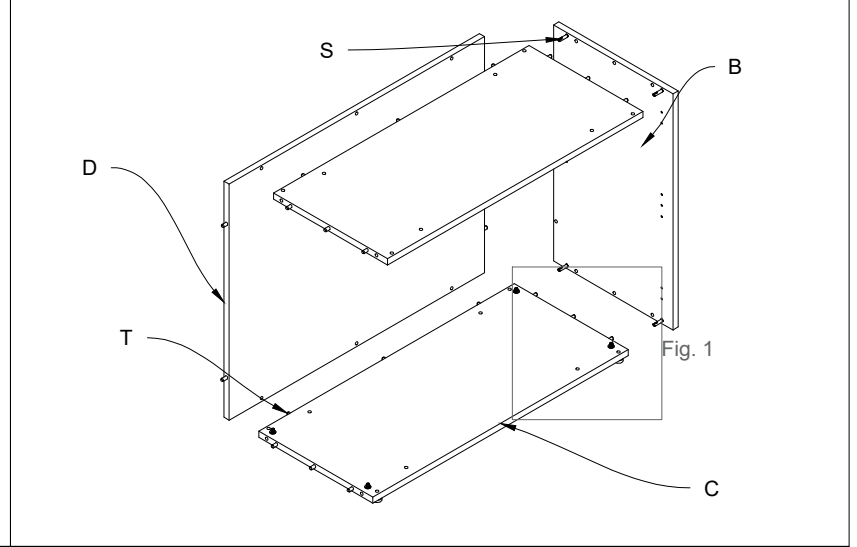
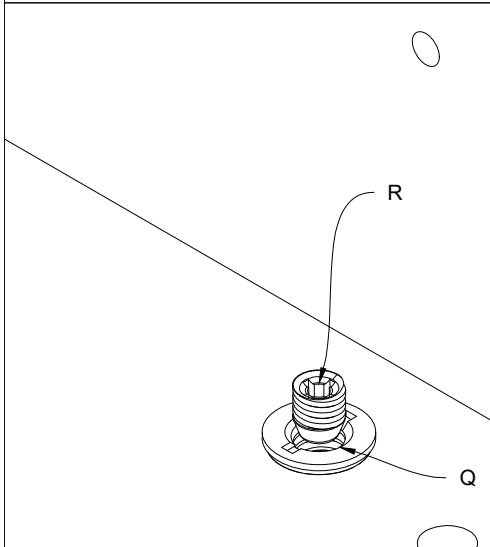
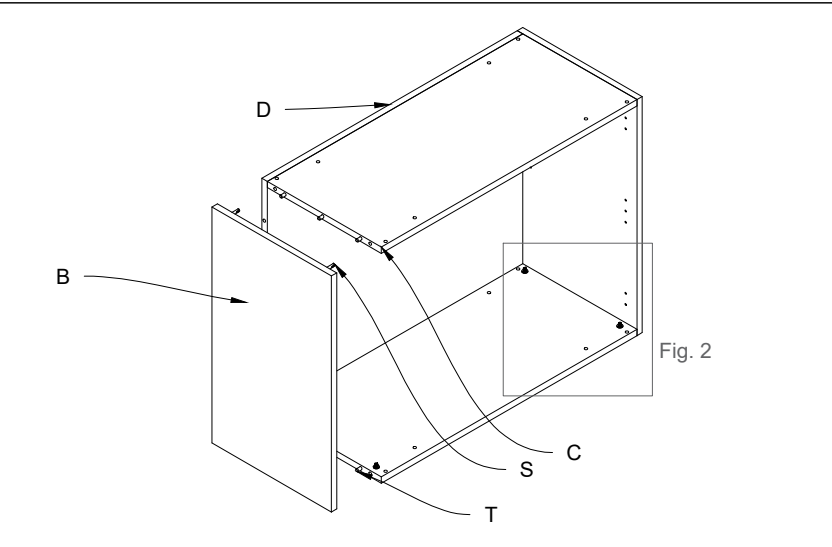


Fig.2 Serraggio dei grani (R) nei barilotti (Q)
 Fig.2 Tighten the threaded screws (R) in the barrels (Q)



3) Inserire il secondo fianco (B) nella base, cappello (C) e nel retro (D) tramite spine (T) e tiranti (S).
 3) Insert the second side (B) in the base, top (C) and back panel (D) by means of the wooden pins (T) and tie-rods (S)



4) Inserire il ripiano (E) nella cassa tramite i reggipiani (U)
 4) Insert the shelf (E) in the container by means of the shelf supports (U)

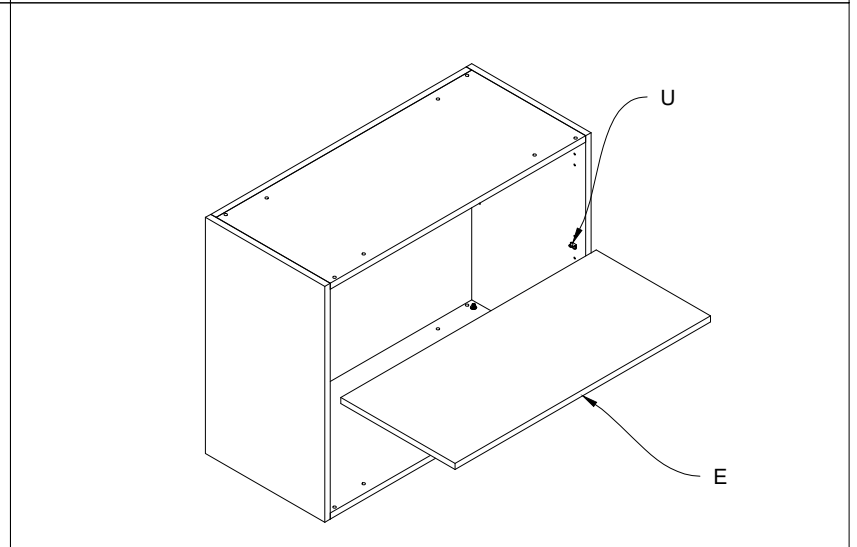
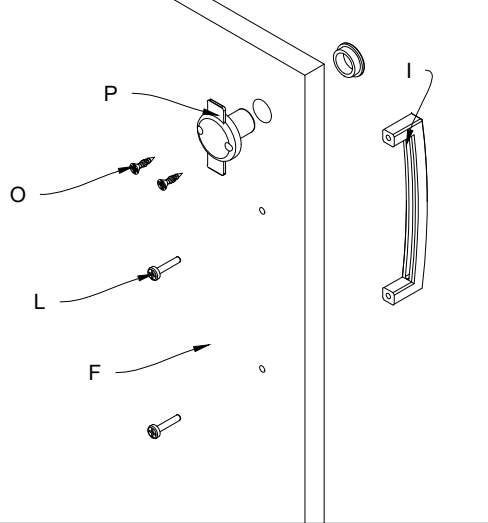
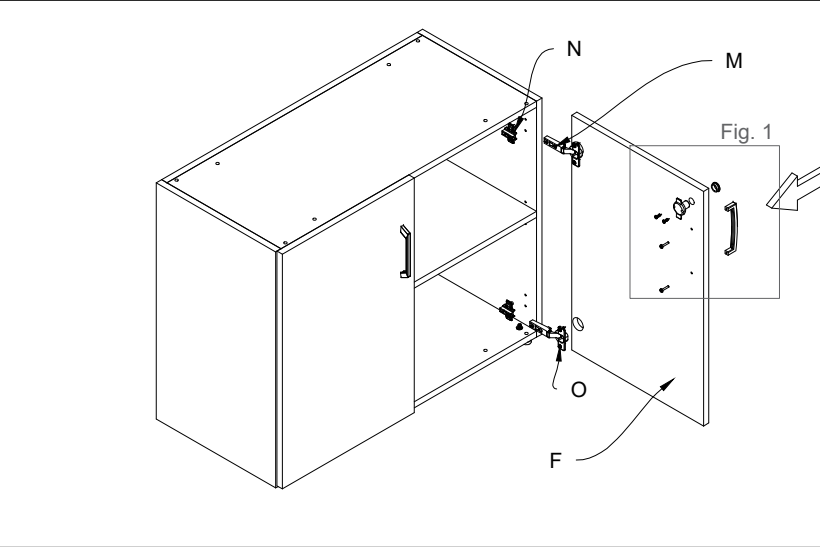


Fig.1 Inserimento della maniglia (I) e della serratura (P) nell'anta (F) tramite le viti (O) e i bulloni (L).
Fig.1 Insert the handle (I) and lock (P) in the door (F) by means of the screws (O) and bolts (L)



4) Inserire l'anta (F) nella casse tramite le basette (N), le cerniere (M) e le viti (O).
4) Insert the door (F) in the container by means of the hinge bases (N), hinges (M) and screws (O)



5) Inserire il top (A) tramite i bulloni nel mobile
5) Insert the top (A) in the container by means of the bolts

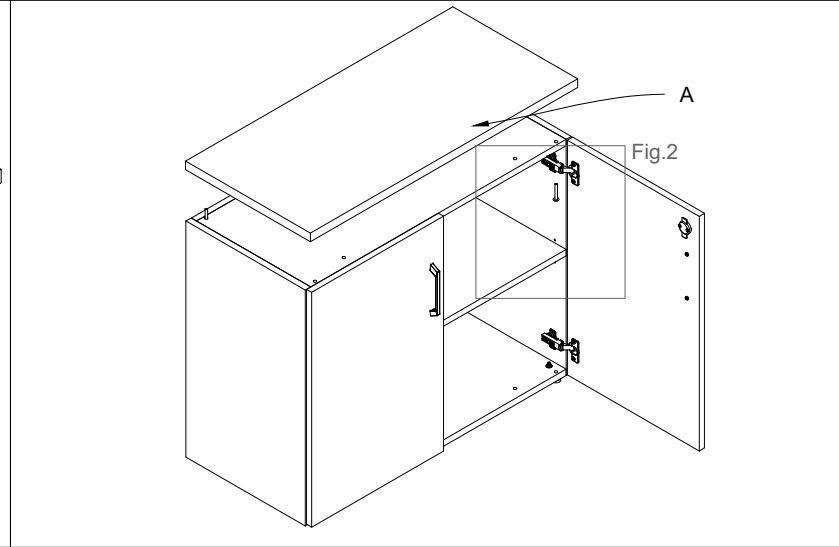
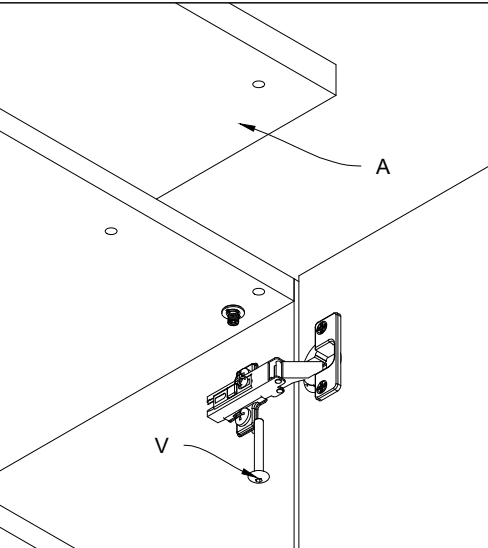


Fig.2 Inserimento del top (A) nel mobile tramite i bulloni (V).
Fig.2 Insert the top (A) in the container by means of the bolts (V)



6) Accostare il mobile al piano desiderato.
6) Put the container next to the top

