


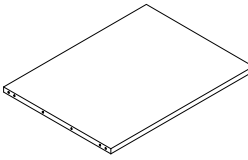

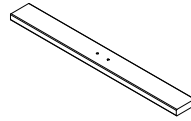
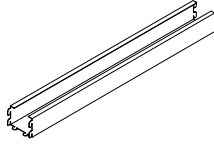

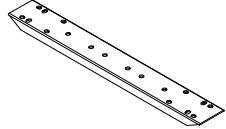
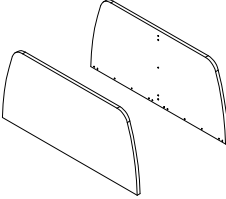
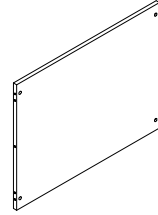


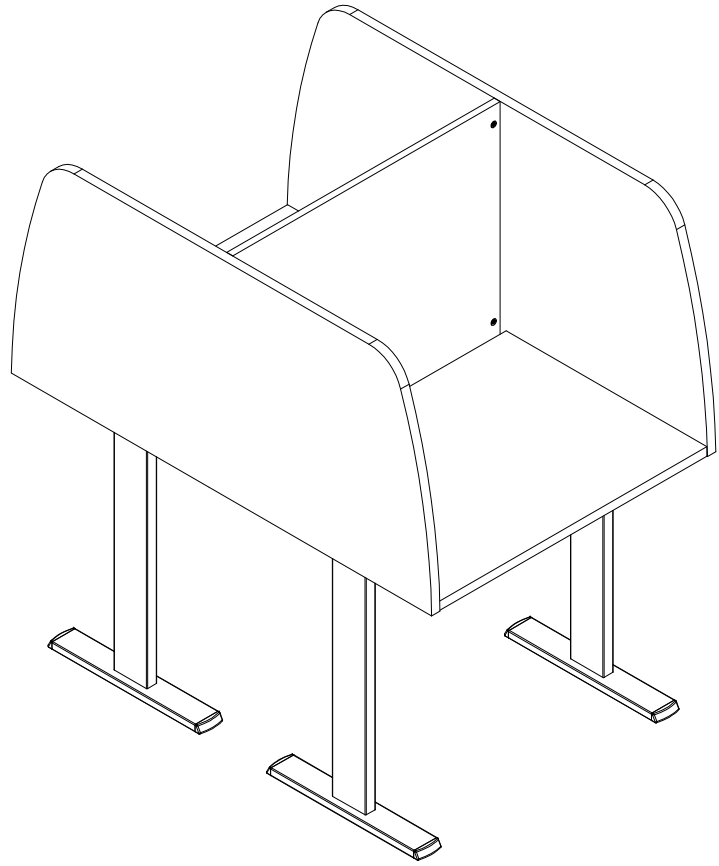




Ferramenta Hardware	Componenti Components									
Chiave esagonale Hexagonal key	n°1			Piano (A) Top (A)		Gamba (B) Leg (B)		Elemento 1 (C) Element 1 (C)		Trave (D) Crossbar (D)
Tirante 7x33.5 (Q) Tie-rod 7x33.5 (Q)	n°12			Elemento di giunzione (E) Junction element (E)		Fianchi (F) Sides (F)		Frontale (G) Frontal panel (G)		
Bariotto 14x14 (R) Barrel 14x14 (R)	n°12									
Grano 8x8 (S) Threaded screw 8x8 (S)	n°12									
Spine 8x30 (T) Wooden pin 8x30 (T)	n°22									
Bullone 6x20 (U) Bolt 6x20 (U)	n°32									
Bullone 8x25 (V) Bolt 8x25 (V)	n°16									
Piedini diam. 35 (Z) Feet diam. 35 (Z)	n°8									

Fig.1 Fissaggio della gamba (B) nell'elemento 1 (C) tramite i bulloni (U).  
 Fig.1 Fasten the leg (B) in element 1 (C) by means of the bolts (U).

1) Inserire i piedini (Z) nell'elemento 1 (C).  
 1) Insert the feet (Z) in element 1 (C).

2) Inserire la gamba (B) nell'elemento 1 (C).  
 2) Insert the leg (B) in element 1 (C).

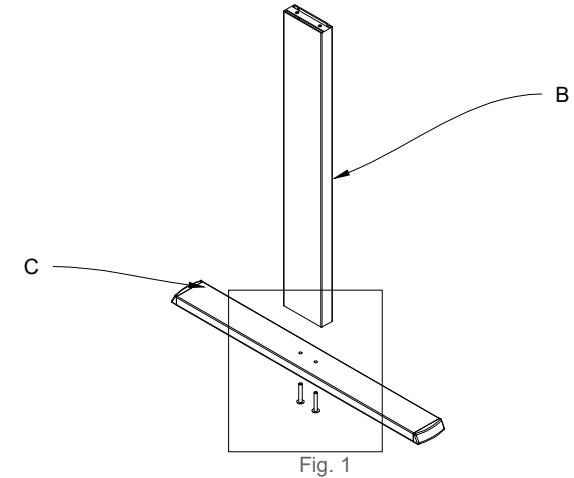
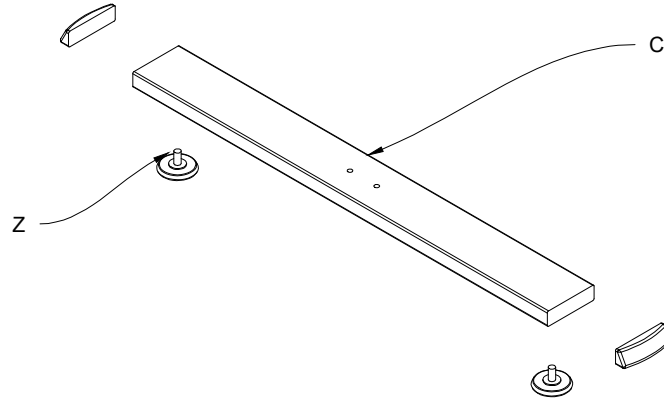
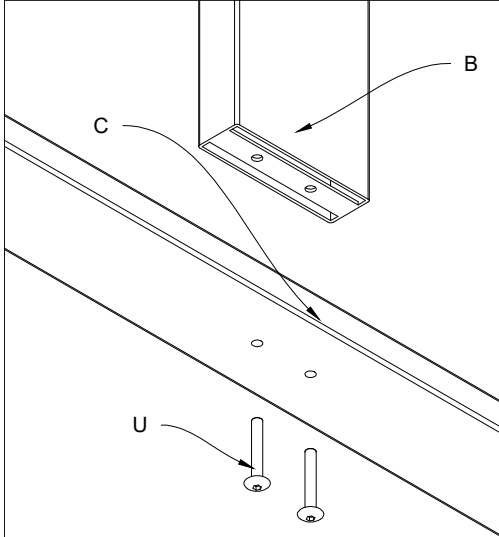


Fig.2 Fissaggio della struttura metallica al piano (A) tramite i bulloni (U).  
 Fig.2 Fasten the metallic structure to the top (A) by means of the bolts (U)

3) Unire la gamba (B) con la trave (D) ad incastro e l'elemento di giunzione (E) tramite i bulloni (U).  
 3) Wedge in the leg (B) and crossbar (D), unite the junction element (E) by means of the bolts (U).

4) Unire la struttura metallica al piano (A) tramite i bulloni (U)  
 4) Unite the metallic structure to the top (A) by means of the bolts (U)

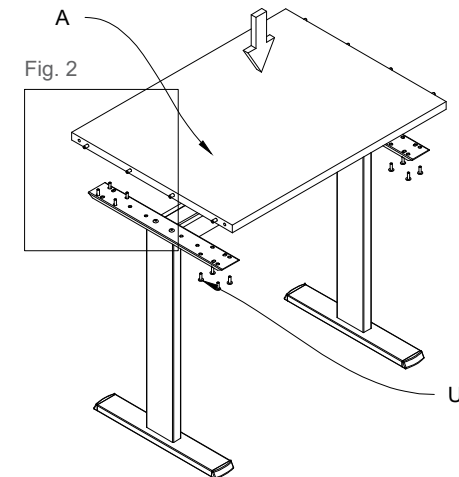
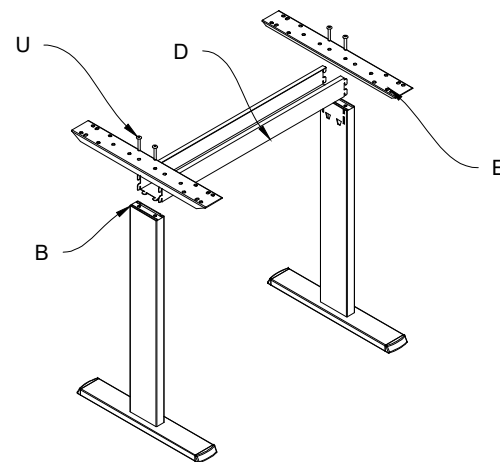
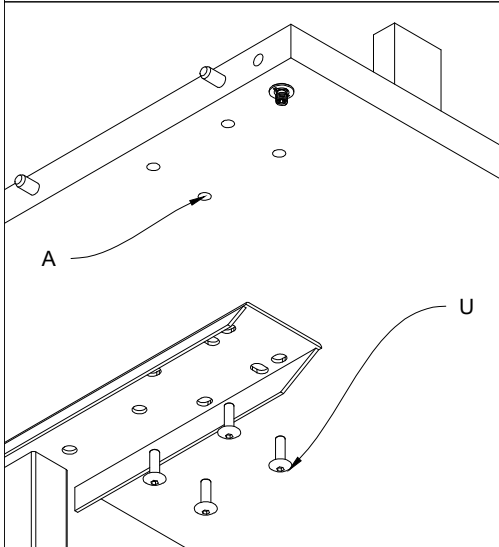
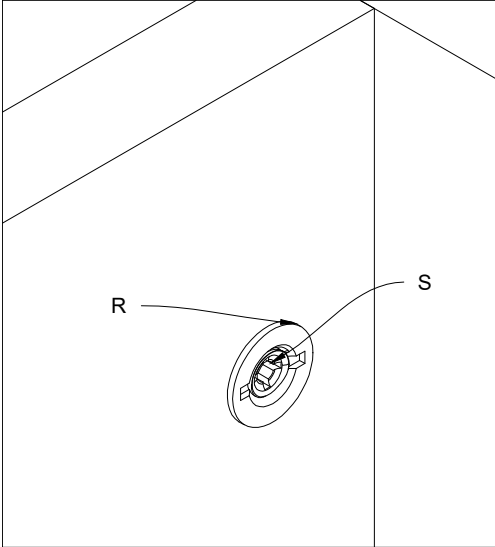


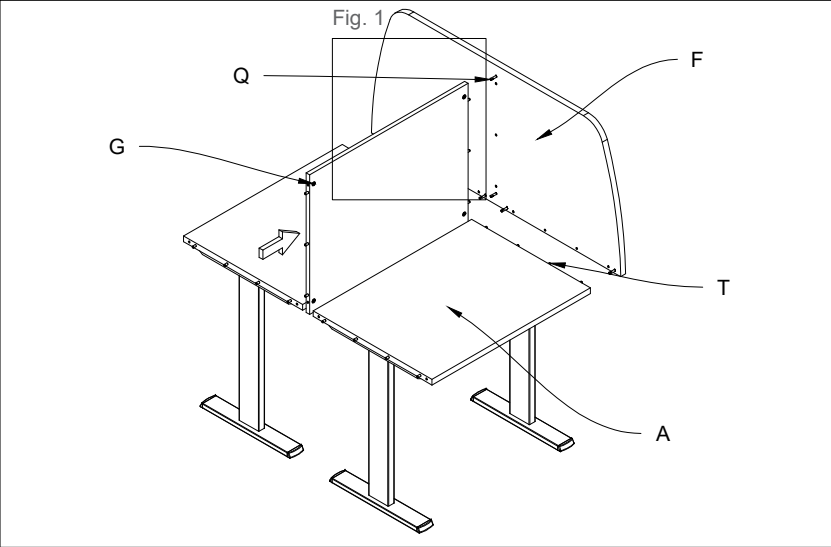
Fig.1 Serraggio dei grani (S) nei barilotti (R).

Fig.1 Tighten the threaded screws (S) in the barrels (R)



5) Inserire un fianco (F) e il frontale (G) tramite i tiranti (Q) e le spine (T) nei piani (A).

5) Insert one side (F) and the frontal panel (G) by means of the tie-rods (Q) and wooden pins (T) in the tops (A)



6) Inserire l'ultimo fianco (F) nei piani (A) e nel frontale (G) tramite le spine (T) e i tiranti.

6) Insert the side (F) in the tops (A) and frontal panel (G) by means of the wooden pins (T) and tie-rods.

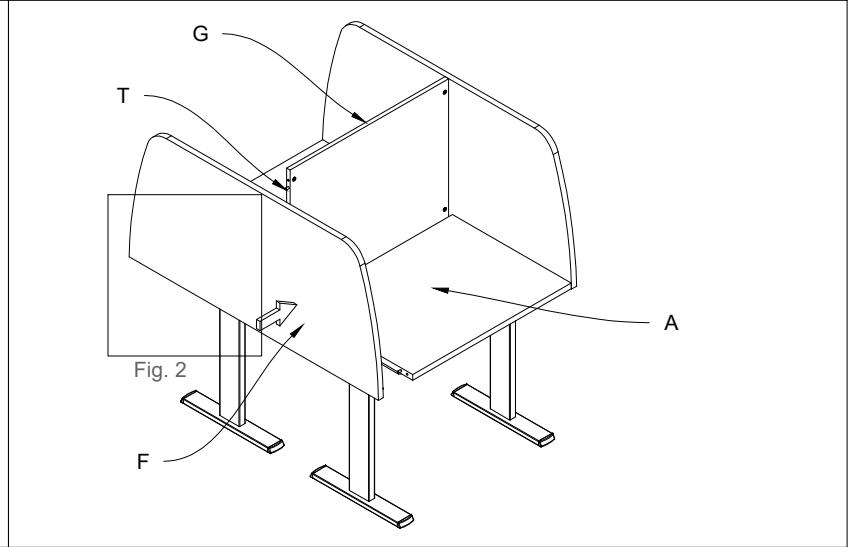


Fig.2 Serraggio dei grani (S) nei barilotti (R).

Fig.2 Tighten the threaded screws (S) in the barrels (R)

