
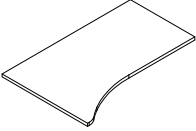
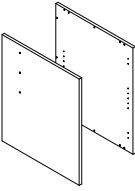
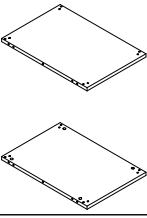
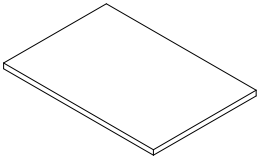


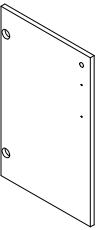



Schema di montaggio Assembly diagram

Ferramenta Hardware	Componenti Components								
Reggipiani (G) 	Shelf support (G) n°4		Piano (A) Top (A)		Fianchi (B) Sides (B)		Base e Cappello (C) Base and Top (C)		Ripiano (D) Shelf (D)
Spina 8x30 (H) 	Wooden pin 8x30 (H) n°12		Retro (E) Back panel (E)		Anta (F) Door (F)				
Tirante 7x33.5 (I) 	Tie-rod 7x33.5 (I) n°8								

Bariotto 14x14 (L) 	Barrel 14x14 (L) n°8	Bullone da 6x28 (T) 	Bolt 6x28 (T) n°4
Grano 8x8 (M) 	Threaded screw 8x8 (M) n°8	Piedini regolabili diam.=35 (U) 	Adjustable feet diam.=35 (U) n°4
Viti (N) 	Screws (N) n°6	Staffa retta (V) 	Straight bracket (V) n°2
Cerniera (O) 	Hinge (O) n°2	Serratura (Z) 	Lock (Z) n°1
Basetta (P) 	Hinge base (P) n°2	Chiave esagonale 	Hexagonal key n°1
Maniglia (Q) 	Handle (Q) n°1		
Bullone da 4x25 (R) 	Bolt 4x25 (R) n°2		
Bullone da 6x16 (S) 	Bolt 6x16 (S) n°8		

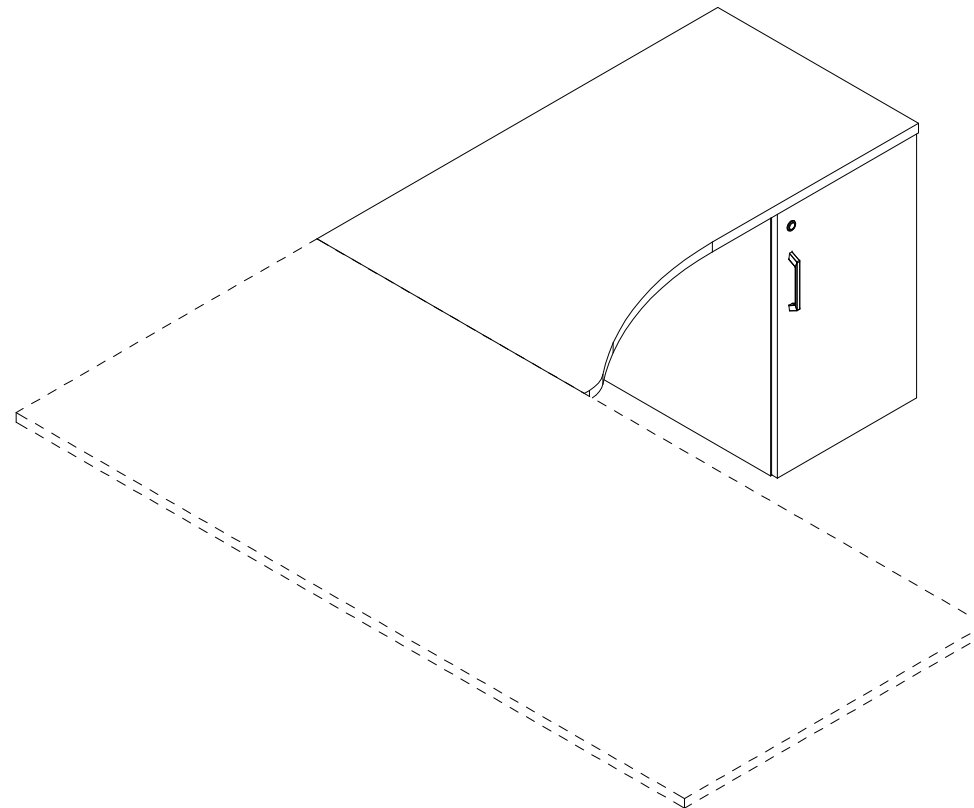
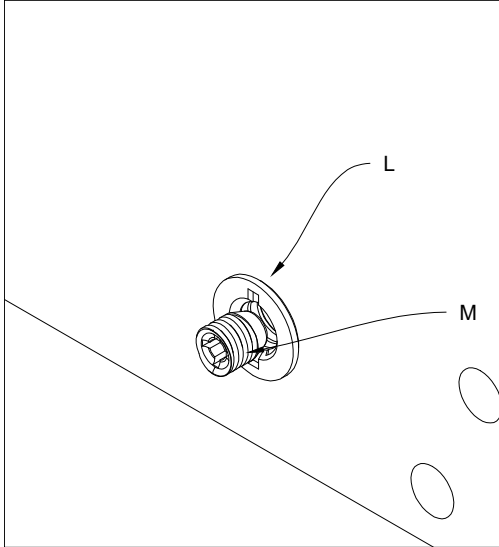
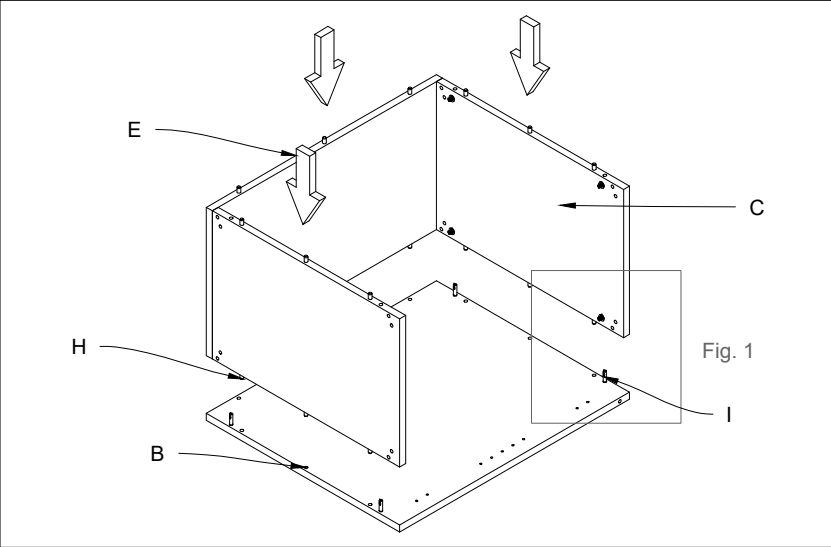


Fig.1 Serraggio dei grani (M) nei barilotti (L).
 Fig.1 Tighten the threaded screws (M) in the barrels (L)



1) Unire un fianco (B) con la base, cappello (C) e retro (E) tramite i tiranti (I) e le spine (H).
 1) Unite one side to the base, top (C) and back panel (E) by means of the tie-rods (I) and wooden pins (H)



2) Inserire i piedini (U) e il secondo fianco (B) tramite i tiranti (I) e le spine (H) nella base, cappello (C) e nel retro (E)
 2) Insert the feet (U) and second side (B) by means of the tie-rods (I) and wooden pins (H) in the base, top (C) and back panel (E)

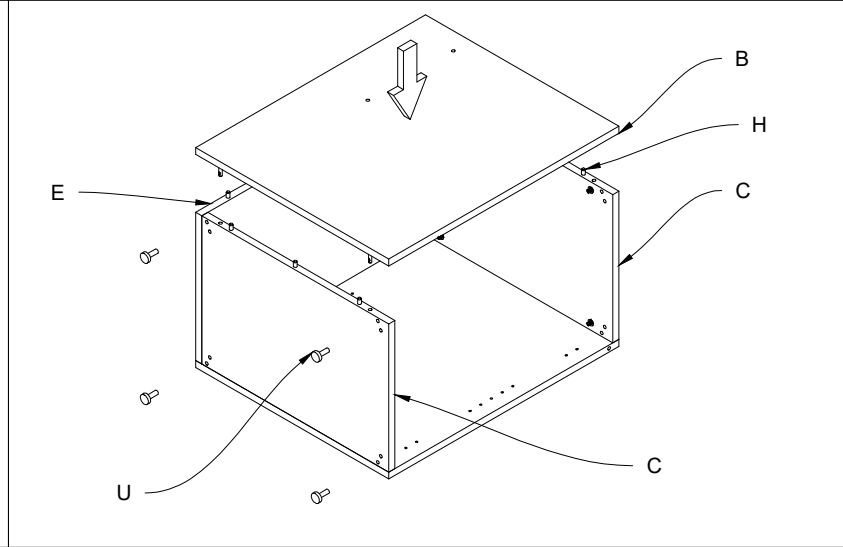
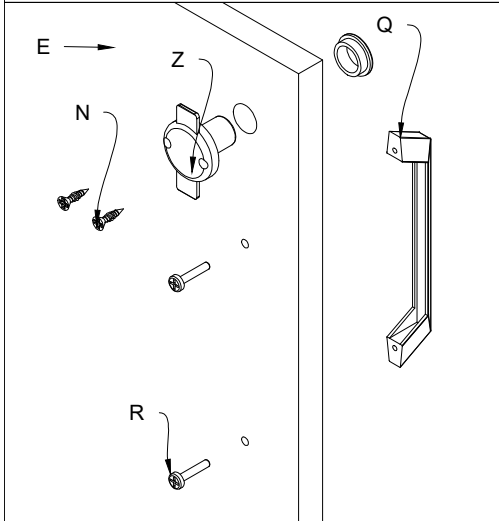
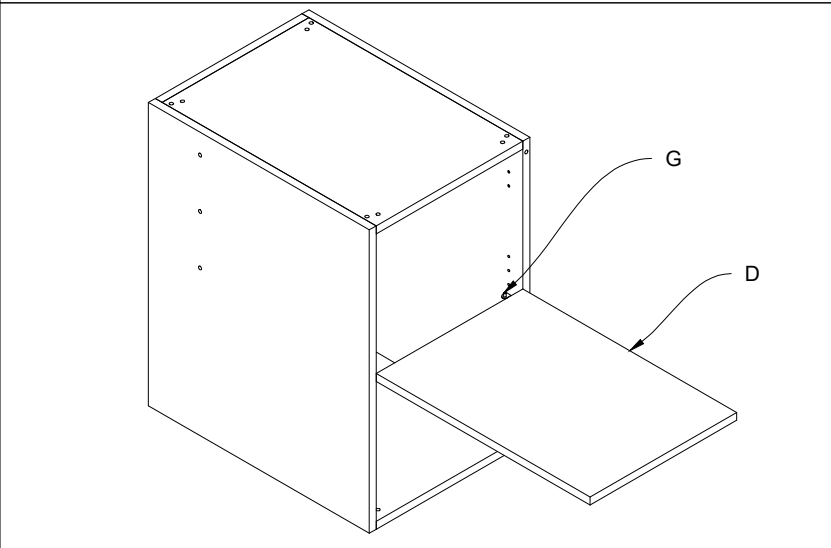


Fig.2 Inserimento della maniglia (Q) e della serratura (Z) nell'anta (F) tramite le viti (N) e bulloni (R).
 Fig.2 Insert the handle (Q) and lock (Z) in the door (F) by means of the screws (N) and bolts (R)



3) Inserire il ripiano (D) nella cassa tramite i reggipiani (G)
 3) Insert the shelf (D) in the container by means of the shelf supports (G)



4) Inserire l'anta (F) nella cassa tramite le basette (P), le cerniere (O) e le viti (N).
 4) Insert the door (F) in the container by means of the hinge bases (P), hinges (O) and screws (N)

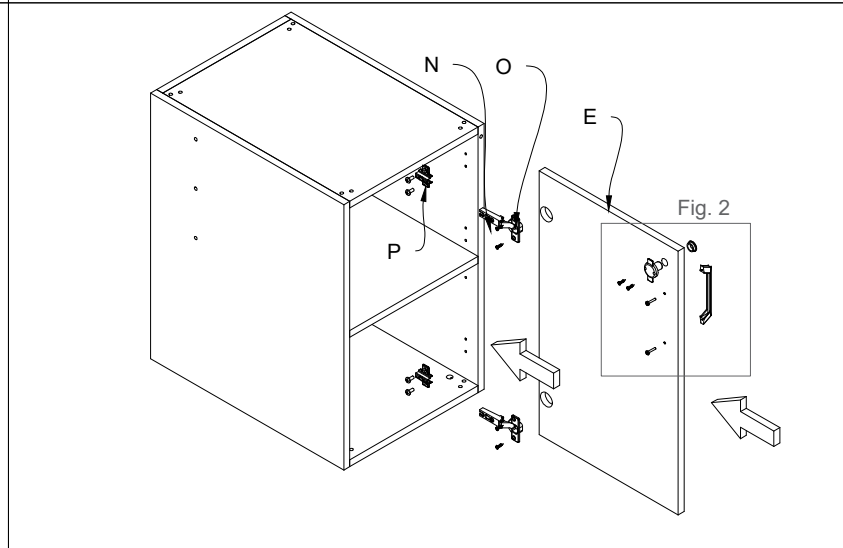
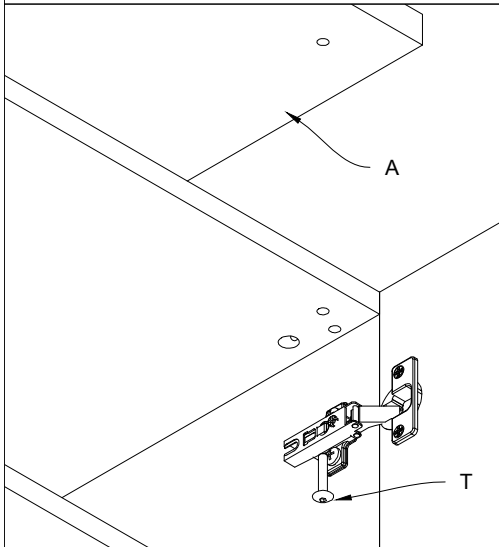
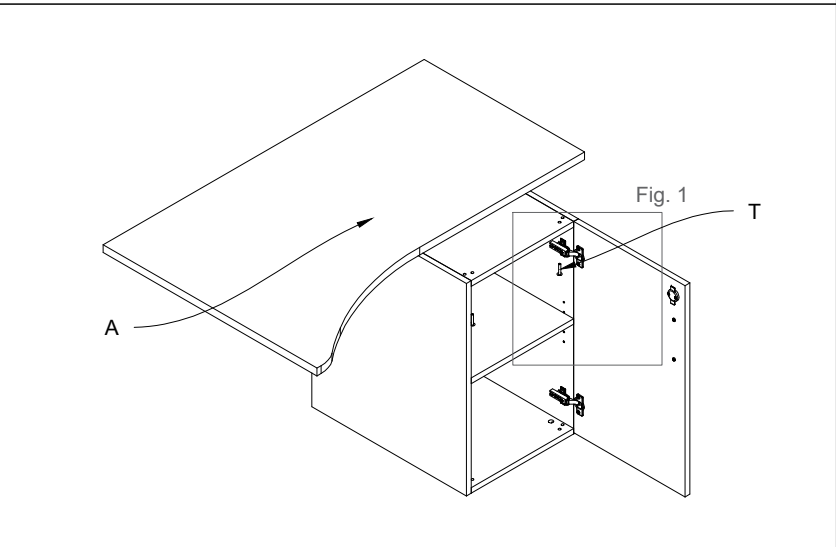


Fig.1 Fissaggio del mobile con anta nel piano (A) tramite i bulloni (T).
 Fig.1 Fasten the cabinet and door to the top (A) by means of the bolts (T)



5) Fissare il mobile con anta al piano (A) tramite i bulloni (T).
 5) Fasten the cabinet and door to the top (A) by means of the bolts (T)



6) Inserire le staffe rette (V) nel piano (A) tramite i bulloni (S).
 6) Insert the straight brackets (V) in the top (A) by means of the bolts (S)

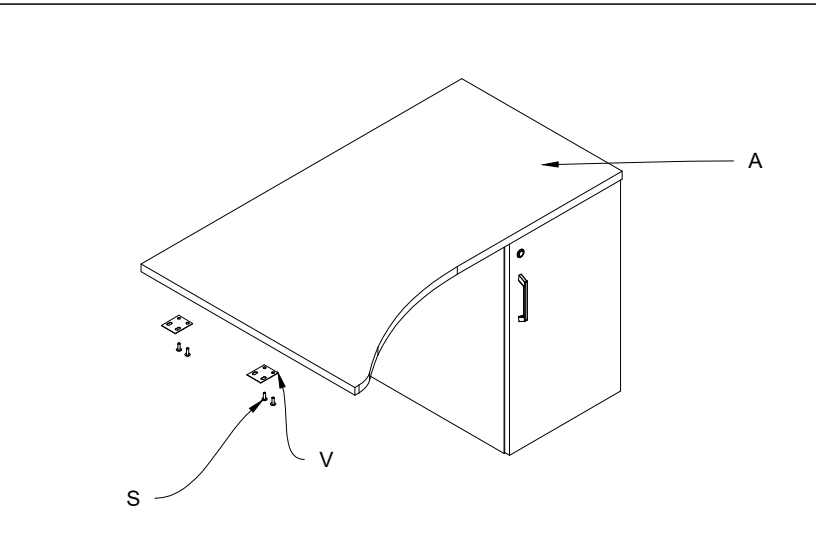
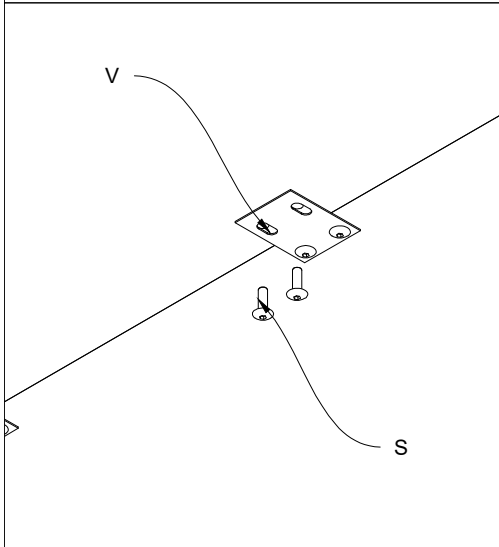


Fig.2 Inserire i bulloni (S) con la staffa (V) in corrispondenza dei fori
 Fig.2 Insert the bolts (S) with the bracket (V) in function to the holes



7) Inserire le staffe (V) nel piano della scrivania tramite i bulloni (S).
 7) Insert the straight brackets (V) in the desk top by means of the bolts (S)

