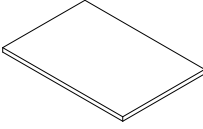
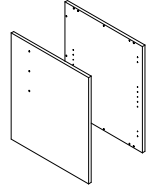
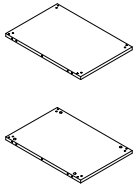
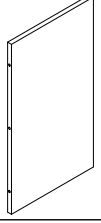
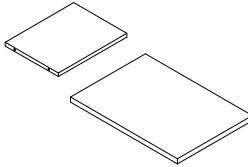
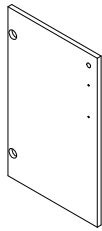


Ferramenta Hardware	Componenti Components		Top (A) Top (A)		Fianchi (B) Sides (B)		Base e Cappello (C) Base and Top (C)		Retro (D) Back panel (D)
Maniglia (I) Handle (I)	n°1								
Bullone 4x25 (L) Bolt 4x25 (L)	n°2		Ripiano (E) Shelf (E)		Anta (F) Door (F)				
Cerniera (M) Hinge (M)	n°2								

Basetta (N) Hinge base (N)	n°2	Bullone da 6x30 (V) Bolt 6x30 (V)	n°4
Viti (O) Screws (O)	n°6	Piedini regolabili diam.=35 (Z) Adjustable feet diam.=35 (Z)	n°4
Serratura (P) Lock (P)	n°1	Chiave esagonale Hexagonal key	n°1
Barilotto 14x14 (Q) Barrel 14x14 (Q)	n°8		
Grano 8x8 (R) Threaded screw 8x8 (U)	n°8		
Tirante 7x33.5 (S) Tie-rod 7x33.5 (U)	n°8		
Spina in legno 8x30 (T) Wooden pin 8x30 (U)	n°22		
Reggipiano (U) Shelf support (U)	n°4		

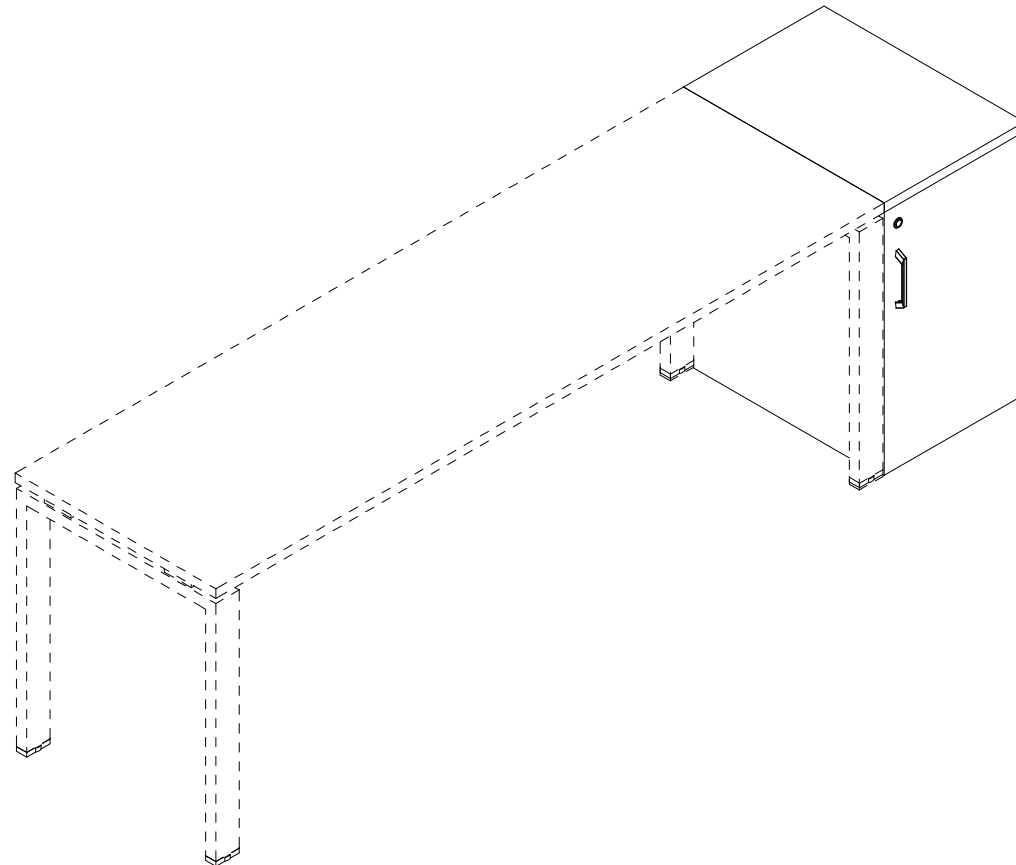
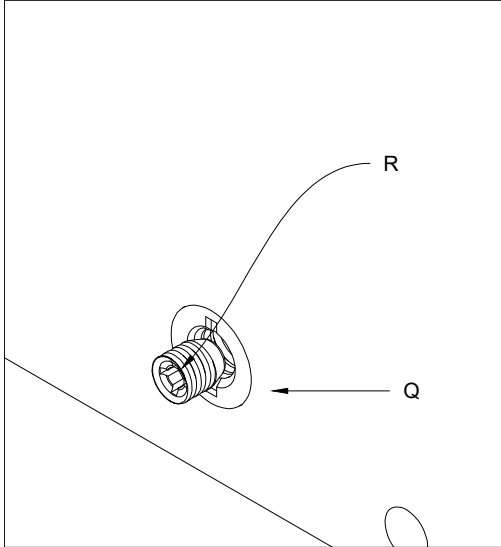
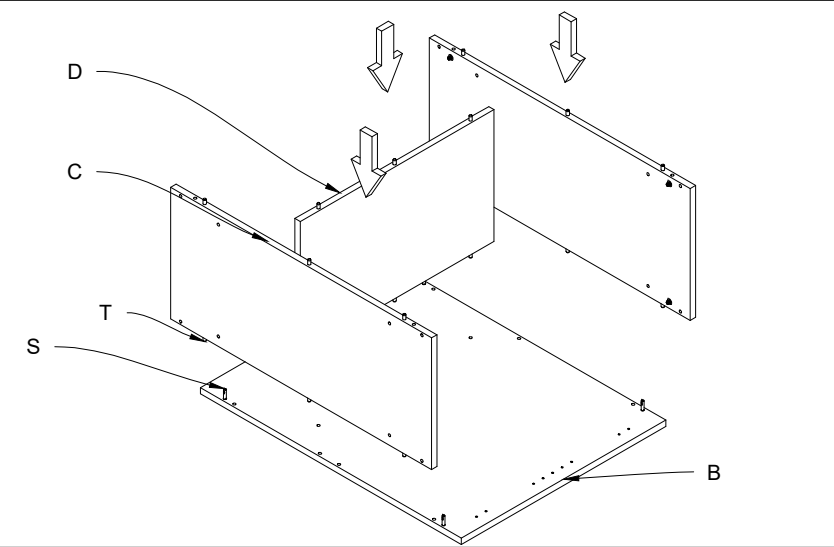


Fig.1 Serraggio dei grani (R) nei barilotti (Q).  
 Fig.1 Tighten the threaded screws (R) in the barrels (Q)



1) Unire un fianco (B) con la base, cappello (C) e retro (D) tramite i tiranti (S) e le spine (T).  
 1) Unite one side to the base, top (C) and back panel (D) by means of the tie-rods (S) and wooden pins (T)



2) Inserire i piedini (Z) e il secondo fianco (B) tramite i tiranti (S) e le spine (T) nella base, cappello (C) e nel retro (D)  
 2) Insert the feet (Z) and second side (B) by means of the tie-rods (S) and wooden pins (T) in the base, top (C) and back panel (D)

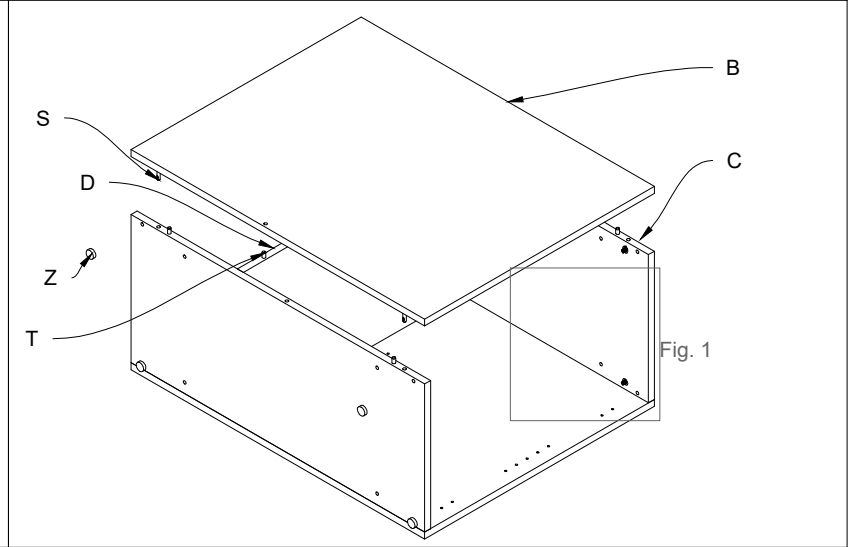
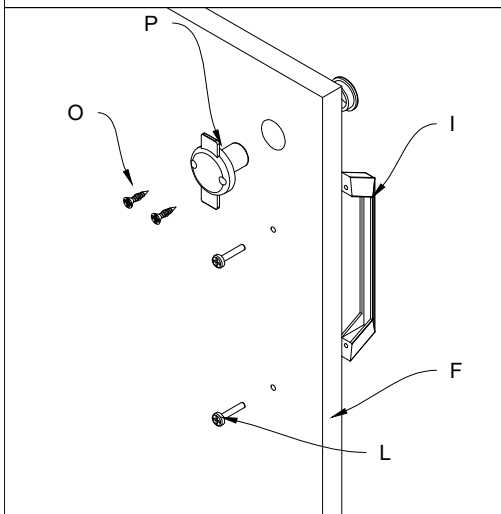
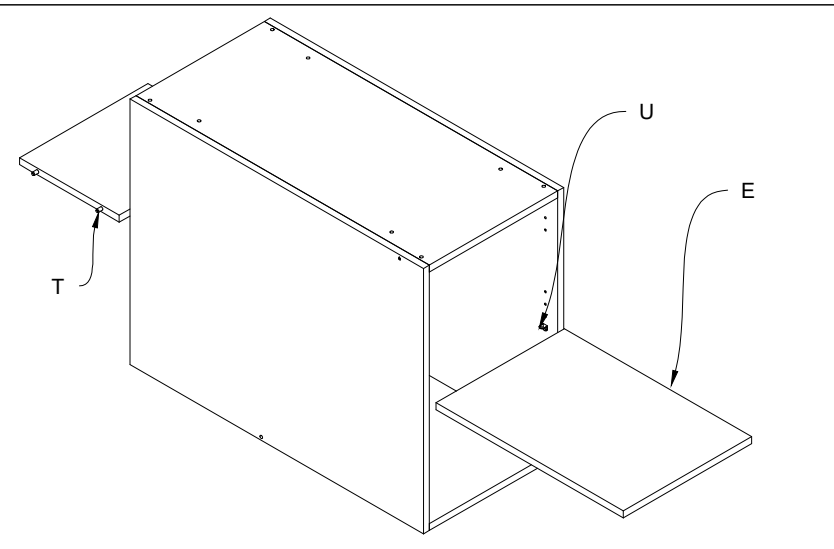


Fig.2 Inserimento della maniglia (I) e della serratura (P) nell'anta (F) tramite le viti (O) e i bulloni (L).  
 Fig.2 Insert the handle (I) and lock (P) in the door (F) by means of the screws (O) and bolts (L)



3) Inserire il ripano posteriore (E) con le spine (T) e quello anteriore (E) con i reggipiani (U).  
 3) Insert the back shelf (E) by means of the wooden pins (T) and the front shelf (E) by means of the shelf supports (U)



4) Inserire l'anta (F) nella casse tramite le basette (N), le cerniere (M) e le viti (O).  
 4) Insert the door (F) in the container by means of the hinge bases (N), hinges (M) and screws (O)

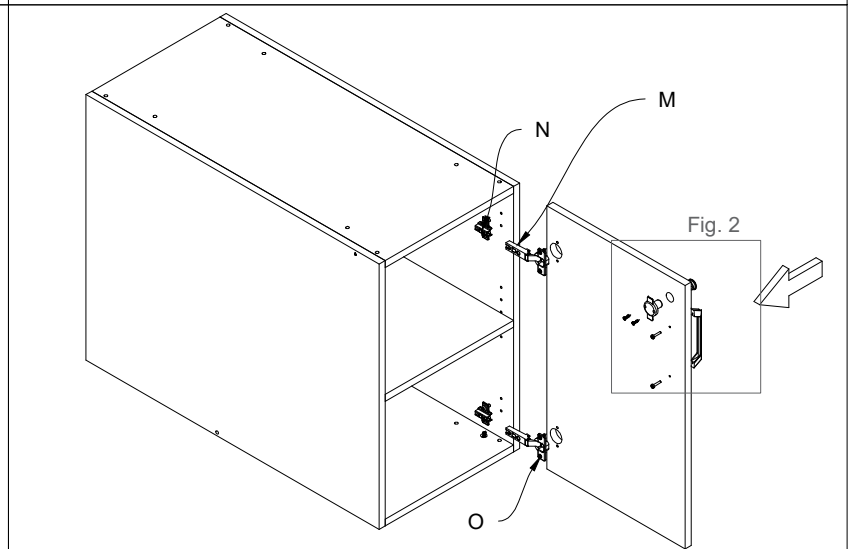
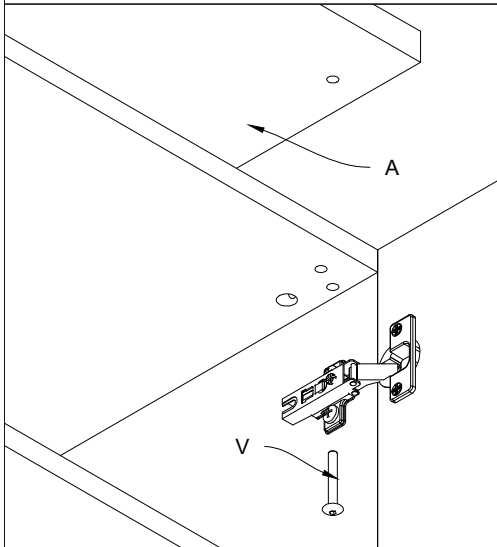
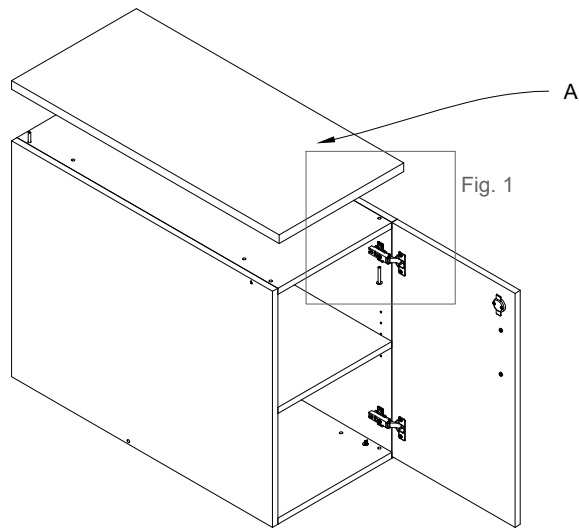


Fig.1 Inserimento del top (A) nel mobile tramite i bulloni (V).  
Fig.1 Insert the top (A) in the container by means of the bolts (V)



5) Inserire il top (A) tramite i bulloni nel mobile  
5) Insert the top (A) in the container by means of the bolts



6) Accostare il mobile al piano desiderato.  
6) Put the container next to the top

