

# Schema di montaggio Assembly diagram


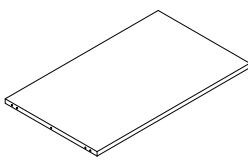
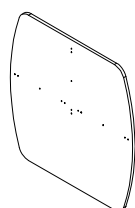
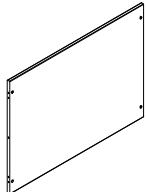





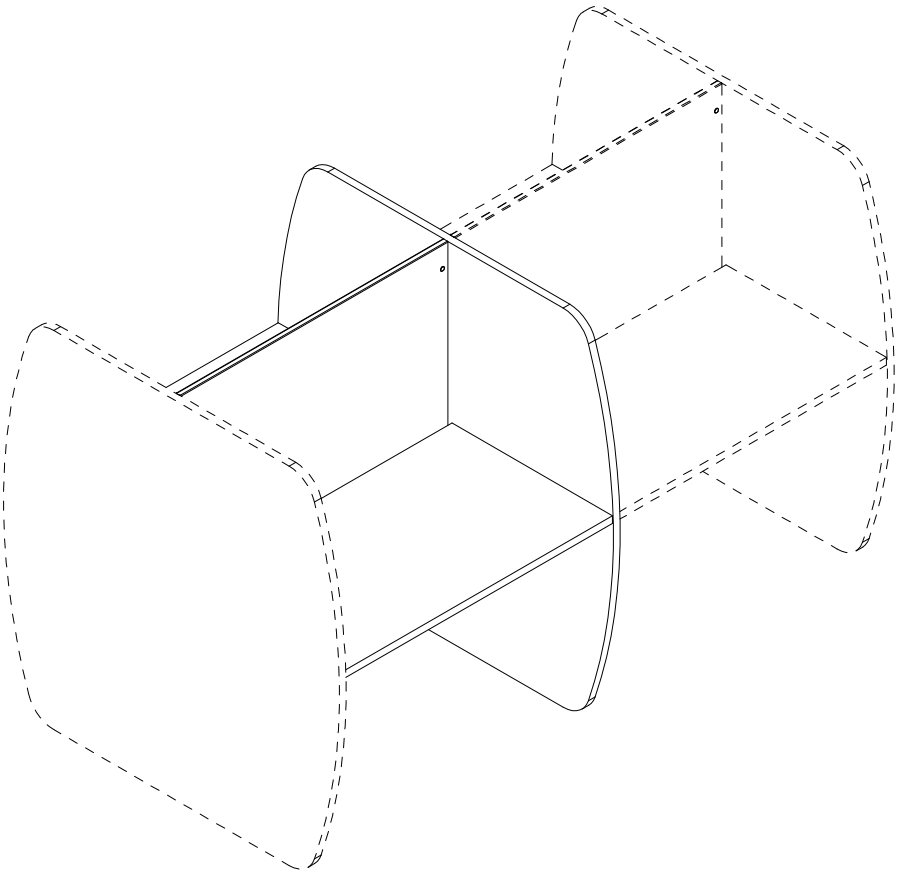
Ferramenta Hardware	Componenti Components		Piano (A) Top (A)		Fianco intermedio (B)  Intermediate side (B)		Frontale fonoassorbente (C) Sound absorbing frontal panel (C)		
Tappi (R) 	Caps (R) <b>n°4</b>								
Piedini diam. 35 (S) 	Feet diam. 35 (S) <b>n°2</b>								
Bariotto 14x14 (T) 	Barrel 14x14 (T) <b>n°8</b>								
Grano 8x8 (U) 	Threaded screw 8x8 (U) <b>n°8</b>								
Spina 8x30 (V) 	Wooden pin 8x30 (V) <b>n°12</b>								
Tirante 7x33.5 (Z) 	Tie-rod 7x33.5 (Z) <b>n°8</b>								
									

Fig.1 Inserimento dei tiranti (Z) nel fianco (B)

Fig.1 Insert the tie-rods (Z) in the side (B)

1) Posizionare i tiranti (Z) e i piedini (S) in un fianco (B)

1) Position the tie-rods (Z) and feet (S) in the side (B)

2) Inserire il piano (A) nel fianco (B) tramite i tiranti (Z) e spine (V)

2) Insert the top (A) in the side (B) by means of the tie-rods (Z) and wooden pins (V)

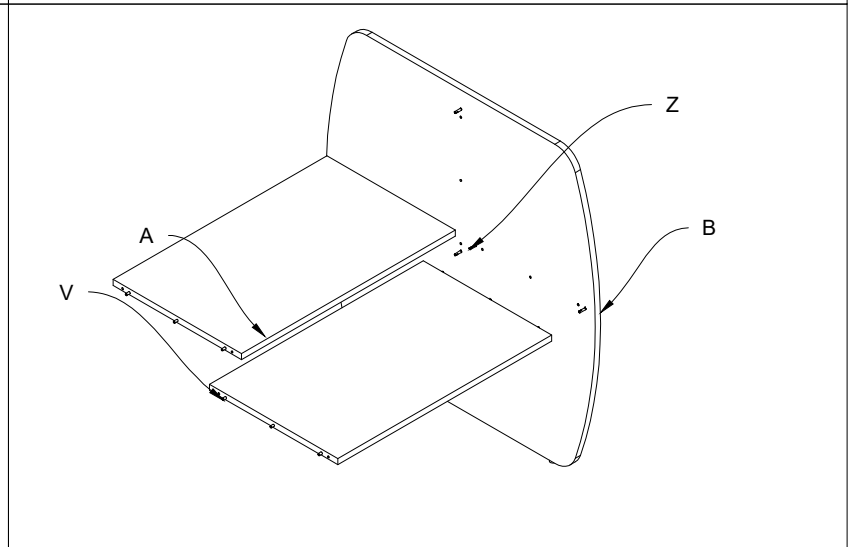
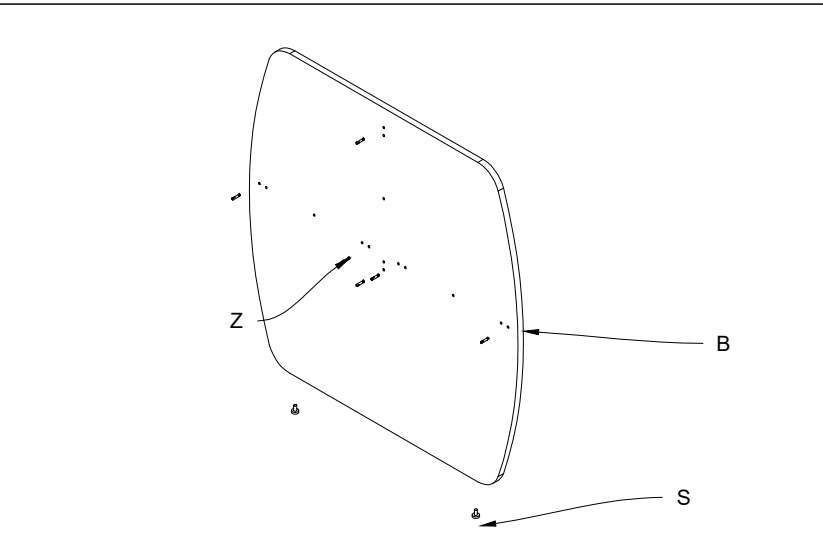
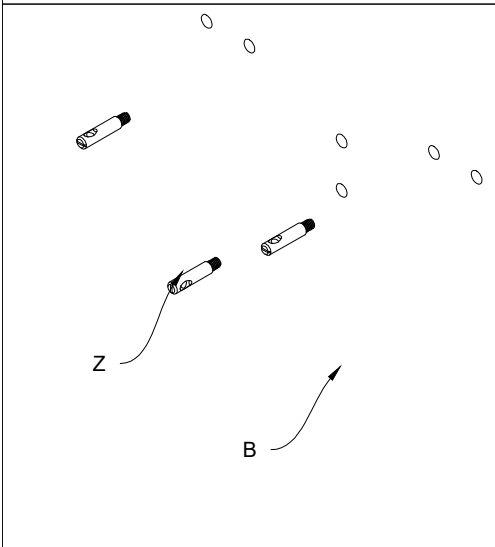


Fig.2 Serrare i grani (U) nei barilotti (T) e coprirli con i tappi (R)  
 Fig.2 Tighten the threaded screws (U) in the barrels (T) and cover them with the caps (R)

3) Inserire il frontale (C) nel fianco (B) tramite i tiranti (Z) e spine (V).  
 3) Insert the frontal panel (C) in the side (B) by means of the tie-rods (Z) and wooden pins (V)

4) Separare il fianco esterno dal call autonomo.

4) Separate the side from the independent Call

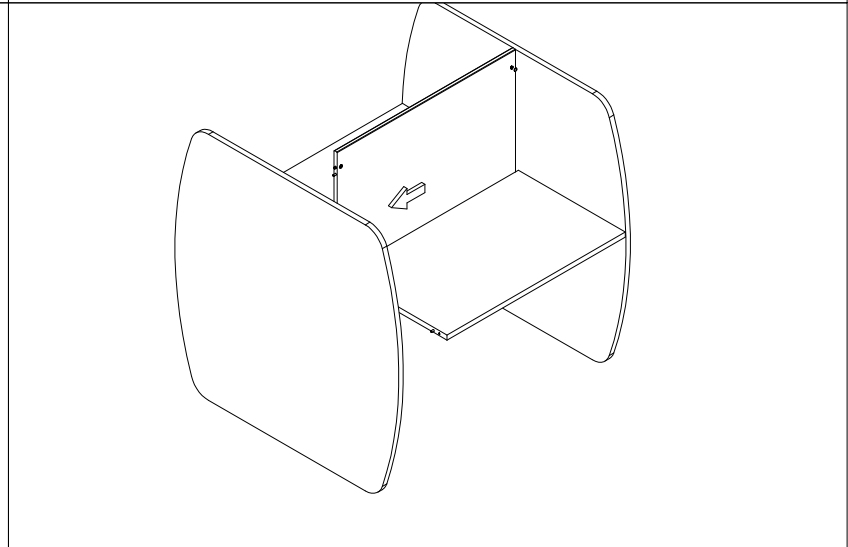
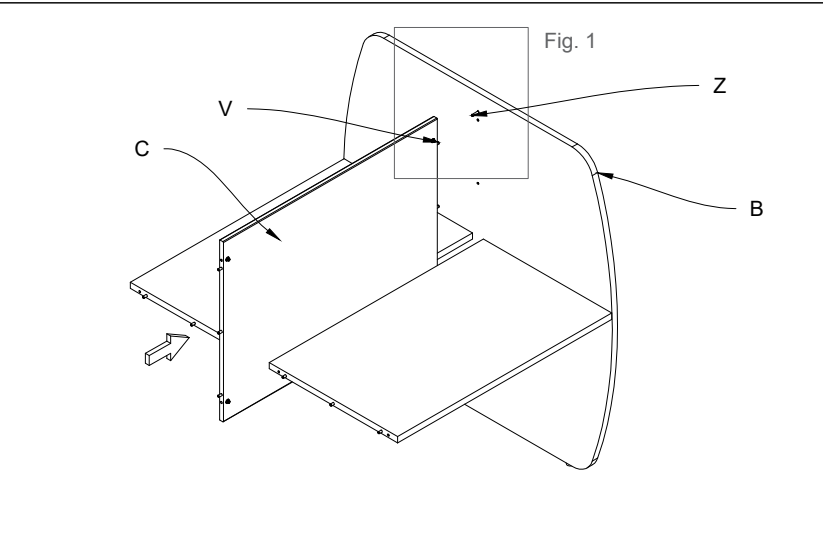
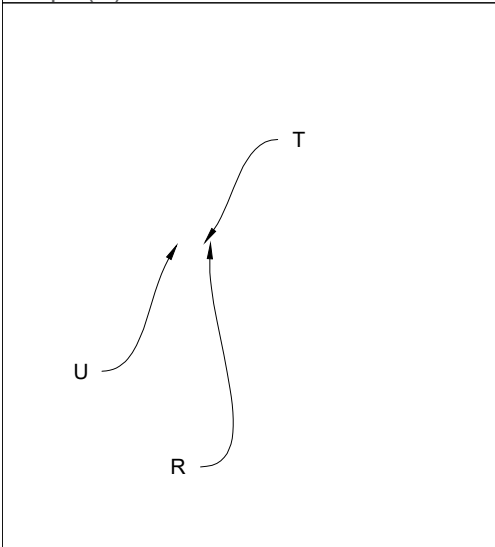


Fig.1 Unire l'allungo call con il call autonomo tramite i tiranti (Z) e le spine (V)  
 Fig.1 Unite the extension Call to the independent Call by means of the tie-rods (Z) and wooden pins (V)

1) Unire l'allungo call con il call autonomo tramite i tiranti e le spine (V).  
 1) Unite the extension Call to the independent Call by means of the tie-rods and wooden pins (V)

2) Inserire il fianco finale del call autonomo tramite tiranti e spine (V).  
 2) Insert the last side of the independent Call by means of the tie-rods and wooden pins (V)

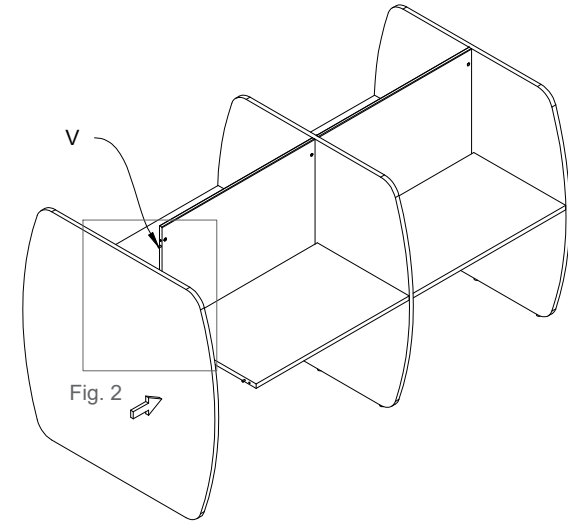
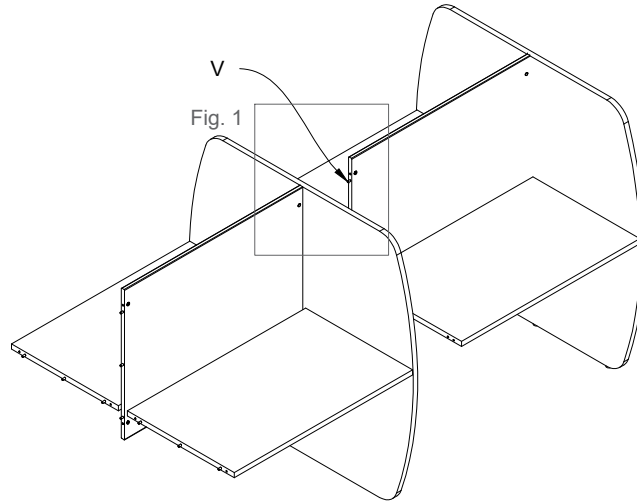
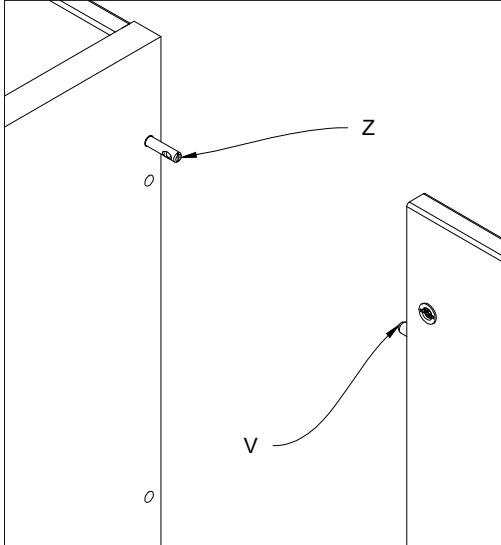


Fig.2 Serrare i grani (U) nei barilotti (T) e coprirli con i tappi (R)  
 Fig.2 Tighten the threaded screws (U) in the barrels (T) and cover them with the caps (R)

