
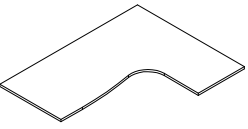
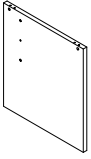
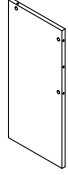
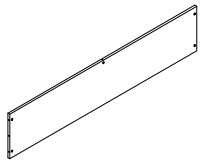









Ferramenta Hardware	Componenti Components		Piano (A) Top (A)	Fianco (B) Side (B)	Fianco trasversale (C) Transversal side (C)	Traversa (D) Cross panel (D)
Spina in legno 8x50 (P) 	Wooden pin 8x50 (P) n°6					
Tirante 7x53.5 (Q) 	Tie-rod 7x53.5 (Q) n°8					
Distanziali (R) 	Spacer (R) n°8					
Spina in legno 8x30 (S) 	Wooden pin 8x30 (S) n°3					
Piedini regolabili diam.=35 (T) 	Adjustable feet diam.=35 (T) n°6					
Barilotto 14x14 (U) 	Barrel 14x14 (U) n°14					
Tirante 7x33.5 (V) 	Tie-rod 7x33.5 (V) n°6					
Grano 8x8 (Z) 	Threaded screw 8x8 (Z) n°14					

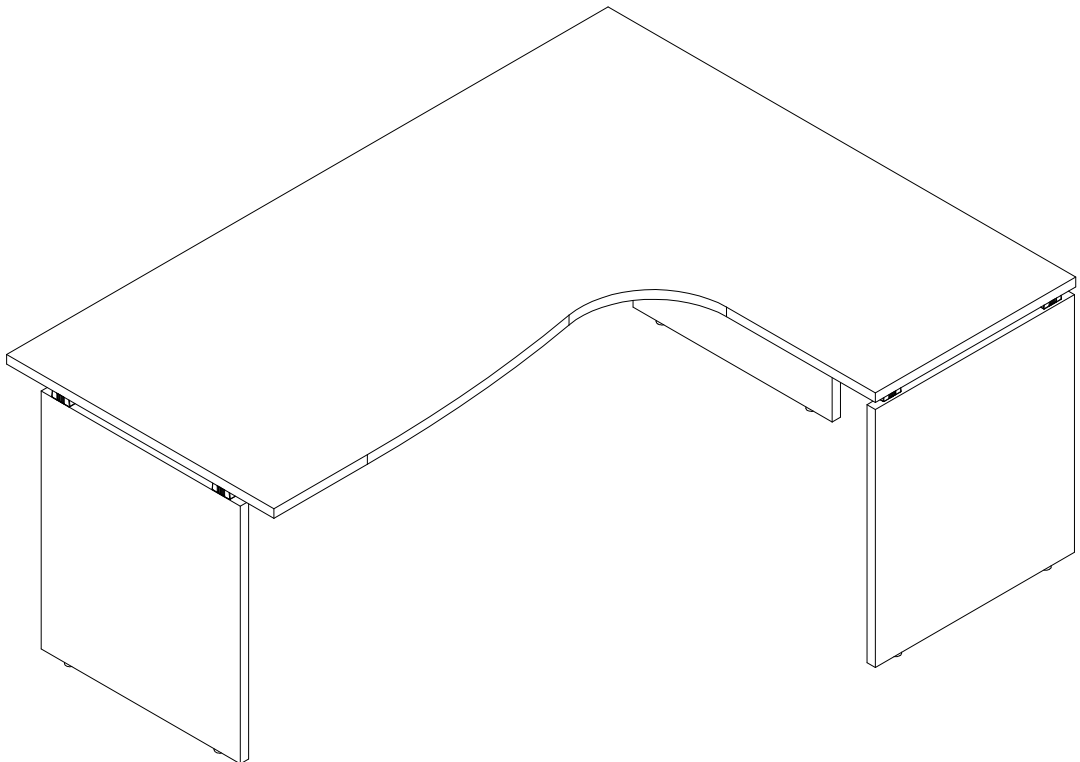


Fig.1 Posizionare spine (P), barilotti(U),tiranti(V) e i distanziali (R) nei fianchi(B)
 Fig.1 Position the wooden pins (P), barrels (U), tie-rods (V) and spacers (R) in the sides (B)

1) Posizionare le spine (P), i barilotti (U), tiranti (V), distanziali (R) e piedini (T) nei fianchi (B).
 1) Position the wooden pins (P), barrels (U), tie-rods (V), spacers (R) and feet (T) in the sides (B)

2) Posizionare i barilotti (U) distanziali (R) e le spine (S) nella traversa (D).
 2) Position the barrels (U), spacers (R) and wooden pins (S) in the cross panel (D)

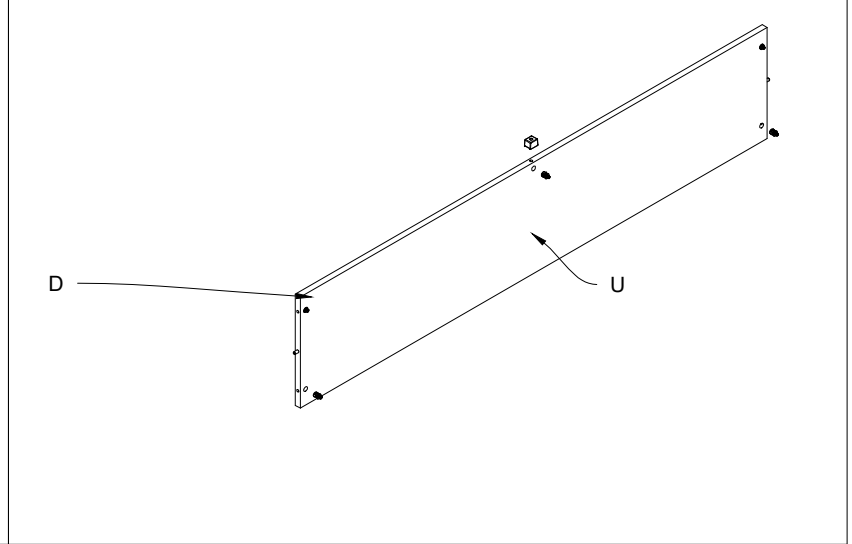
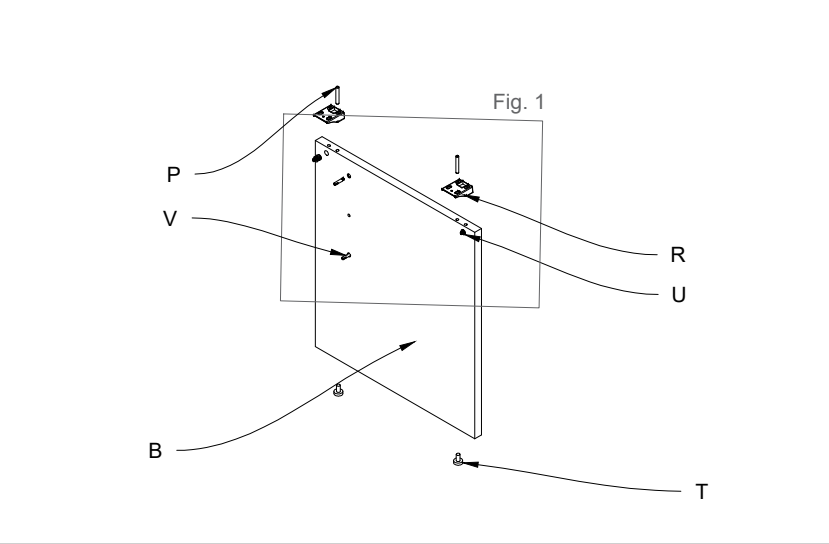
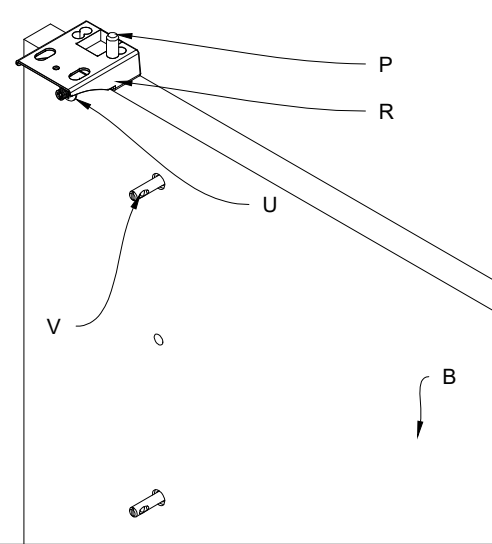


Fig.2 Posizionare i tiranti (Q) nel piano (A).
 Fig.2 Position the tie-rods (Q) in the top (A)

3) Unire i fianchi (B) alla traversa (D) tramite le spine (S) e i tiranti (V)
 3) Unite the sides (B) to the cross panel (D) by means of the wooden pins (S) and tie-rods (V)

4) Posizionare i tiranti (Q) nel piano (A).
 4) Position the tie-rods (Q) in the top (A)

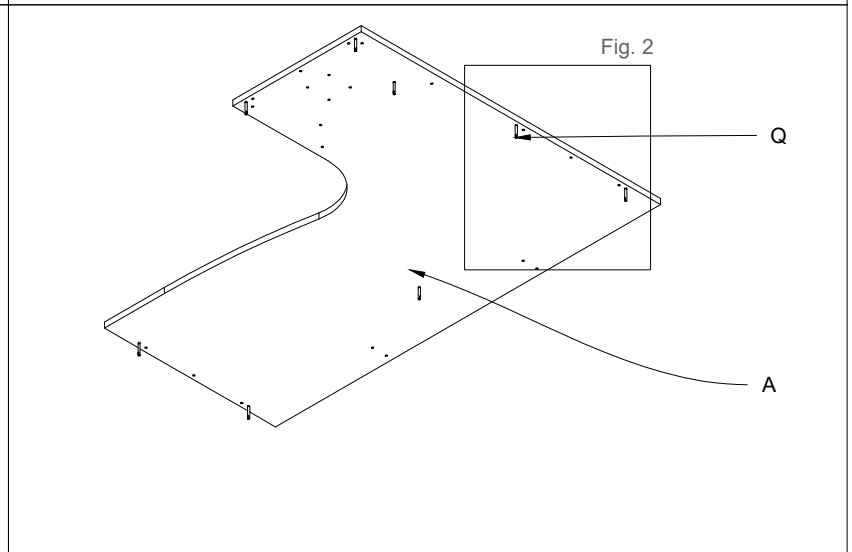
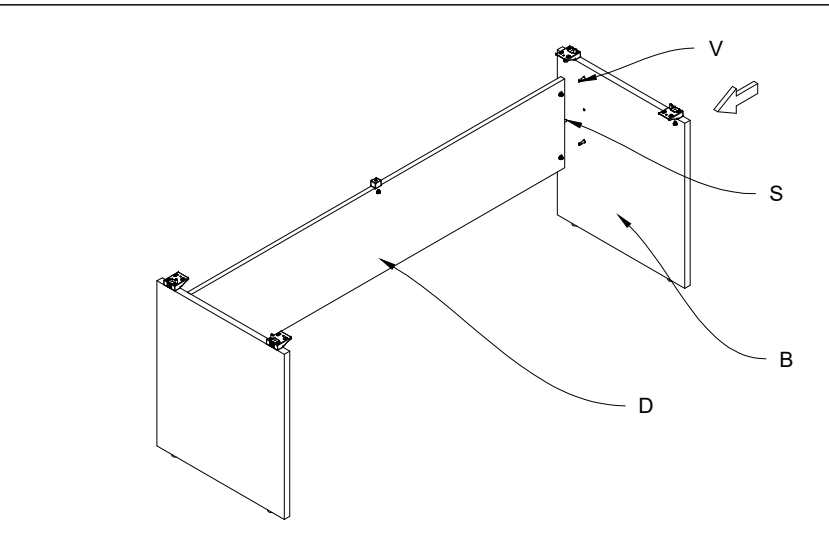
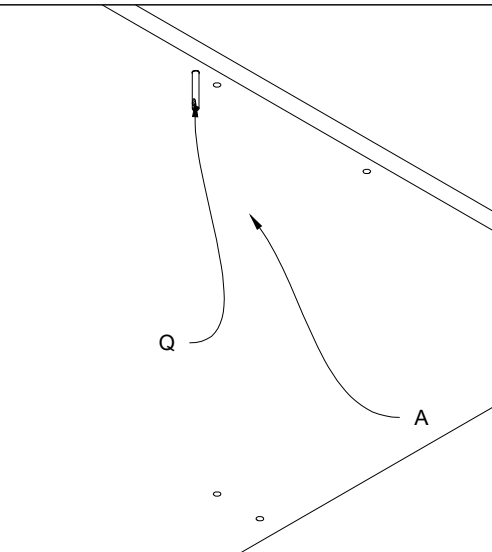


Fig.1 Serraggio grani (Z) nei barilotti (U)
Fig.1 Tighten the threaded screws (Z) in the barrels (U)

5) Inserire il fianco trasversale (C) in un fianco (B) tramite i tiranti (V), barilotti (U) e la spine (S).
5) Insert the transversal side (C) in one side (B) by means of the tie-rods (V), barrels (U) and wooden pins (S)

6) Serraggio grani (Z) nei barilotti (U)
6) Tighten the threaded screws (Z) in the barrels (U)

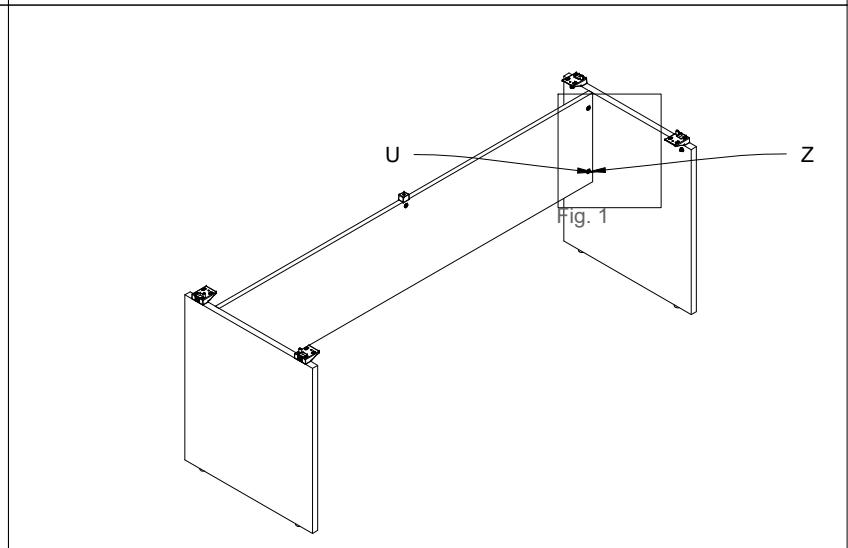
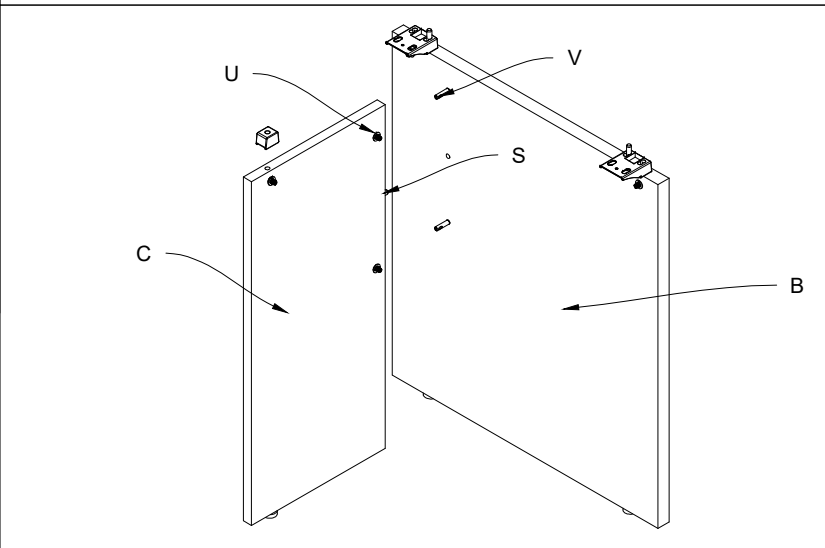
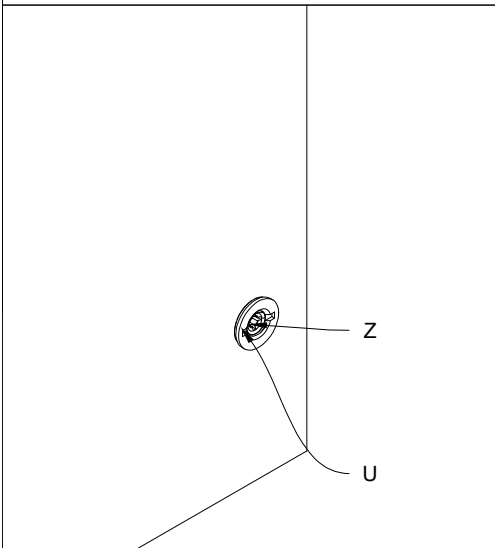


Fig.2 Serraggio grani (Z) nei barilotti (U)
Fig.2 Tighten the threaded screws (Z) in the barrels (U)

7) Posizionare il Piano (A), sopra la struttura e agganciarlo tramite le spine (P) e i tiranti (Q)
7) Position the top (A) above the structure and clasp it by means of the wooden pins (P) and tie-rods (Q)

8) Serraggio grani (Z) nei barilotti (U)
8) Tighten the threaded screws (Z) in the barrels (U)

