
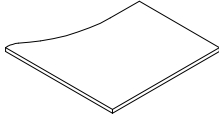
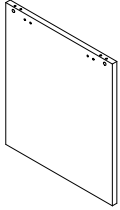
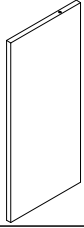












Ferramenta Hardware	Componenti Components		Piano (A) Top (A)		Fianco (B) Side (B)		Fianco trasversale (C) Transversal side (C)		
Bullone da 6x16 (O) 	Bolt 6x16 (O) n°8								
Spina in legno 8x30 (P) 	Wooden pin 8x30 (P) n°1								
Piedini regolabili (Q) 	Adjustable feet (Q) n°3								
Grano 8x8 (R) 	Threaded screw 8x8 (R) n°5								
Barilotto 14x14 (S) 	Barrel 14x14 (S) n°5								
Tirante 7x33.5 (T) 	Tie-rod 7x33.5 (T) n°2								
Staffa retta (U) 	Straight bracket (U) n°2								
Spina in legno 8x50 (V) 	Wooden pin 8x50 (V) n°2								
Tirante 7x53.5 (W) 	Tie-rod 7x53.5 (W) n°3								
Distanziali (Z) 	Spacer (Z) n°3								
Chiave esagonale 	Hexagonal key n°1								

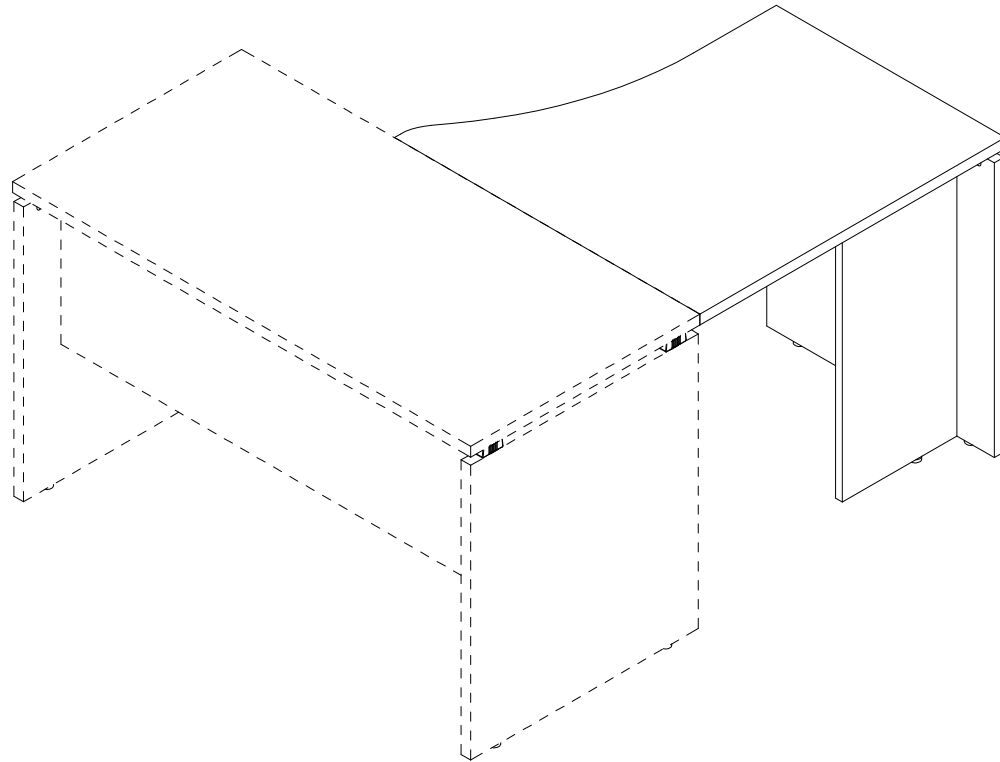
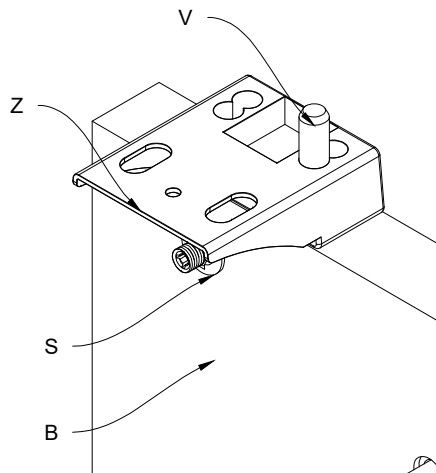


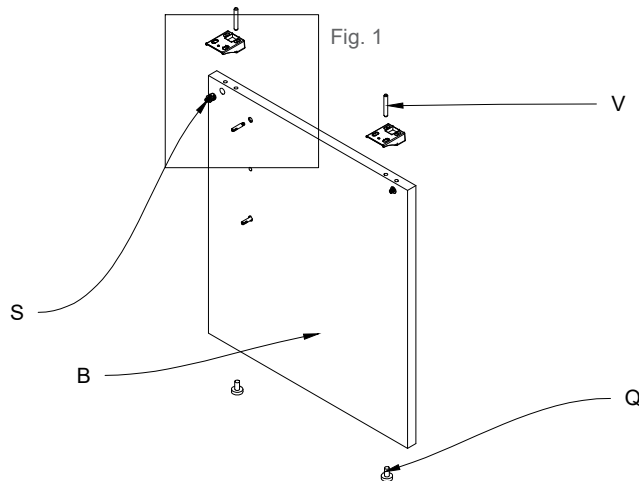
Fig.1 Inserire i distanziali (Z) le spine (V) e i barilotti (S) nel fianco (B).

Fig.1 Insert the spacers (Z), wooden pins (V) and barrels (S) in the side (B)



1) Inserire i barilotti (S), i tiranti (T), i distanziali (Z), le spine (V) e i piedini (Q) nel fianco (B).

1) Insert the barrels (S), tie-rods (T), spacers (Z) wooden pins (V) and feet (Q) in the side (B)



2) Posizionare i tiranti (W) nel piano (A).

2) Position the tie-rods (W) in the top (A)

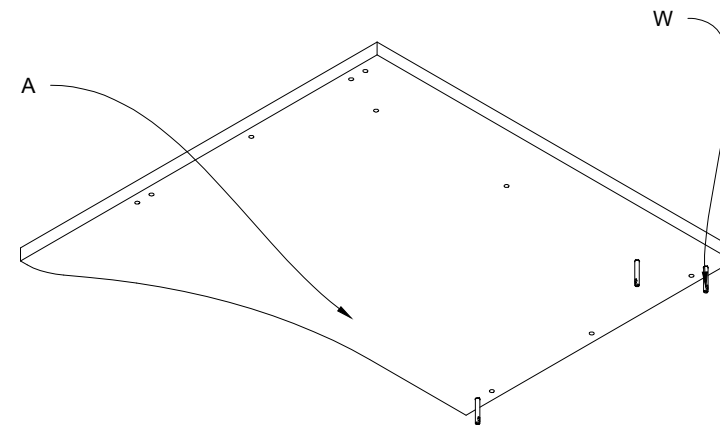
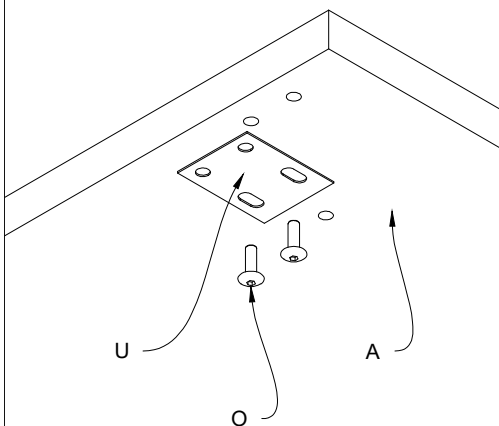


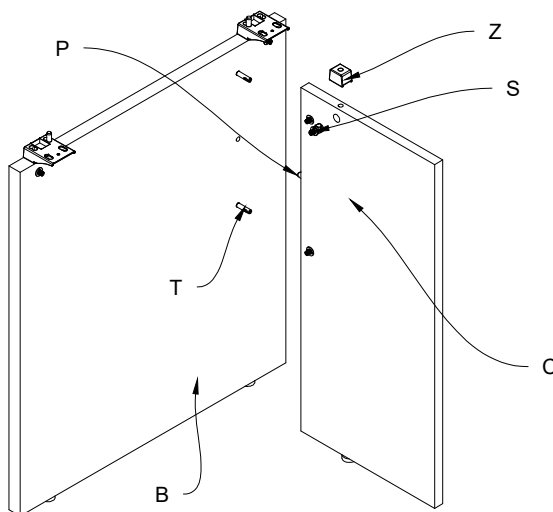
Fig.2 Inserire la staffa retta (U) nel piano (A) tramite i bulloni (O).

Fig.2 Insert the straight bracket (U) in the top (A) by means of the bolts (O).



3) Unire il fianco (B) con il fianco trasversale (C) tramite le spine (P) e i tiranti (T), ed inserire il distanziale (Z) e i barilotti (S)

3) Unite the side (B) to the transversal side (C) by means of the wooden pins (P) and tie-rods (T), insert the spacers (Z) and barrels (S)



4) Unire il piano (A) con i due fianchi tramite i distanziali (Z) le spine e i tiranti.

4) Unite the top (A) to the two sides by means of the spacers (Z), wooden pins and tie-rods.

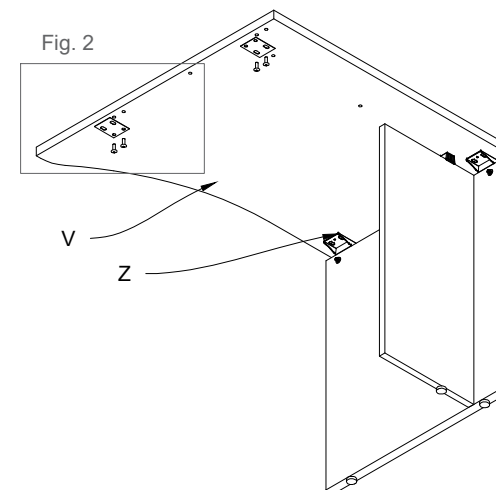
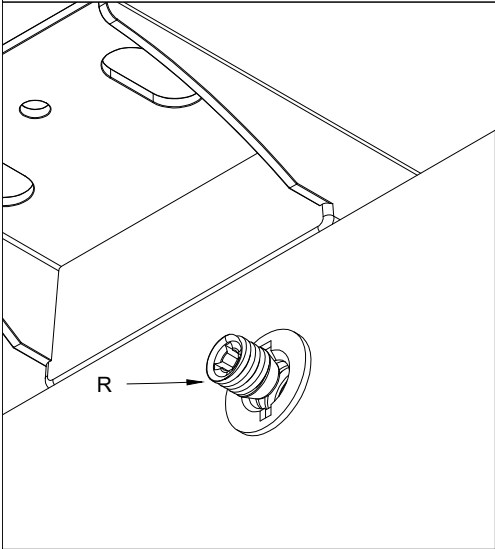


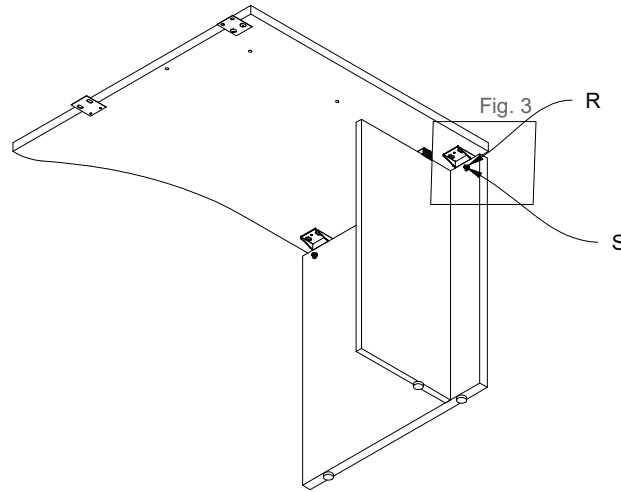
Fig.3 Serrare i grani (R)

Fig.3 Tighten the threaded screws (R)



5) Serrare i grani (R) nei barilotti (S)

5) Tighten the threaded screws (R) in the barrels (S)



6) Unire l'appendice con la scrivania tramite le staffe rette (U)

6) Unite the return desk to the desk by means of the straight brackets (U)

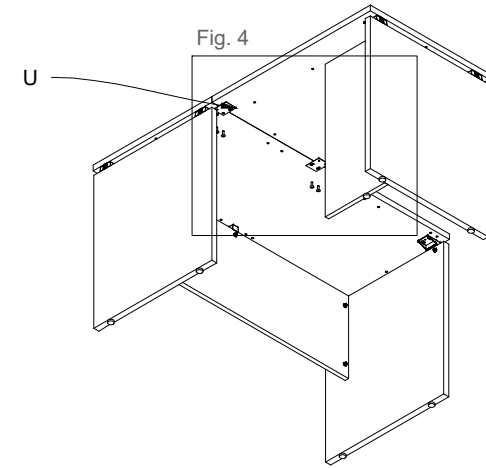


Fig.4 Serrare i bulloni (O) con le staffe (U) ed il piano

Fig.4 Tighten the bolts (O) to the brackets (U) and top

