


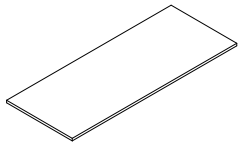
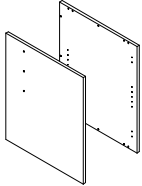
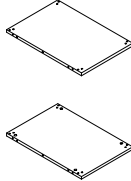
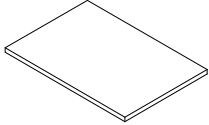


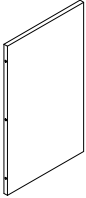
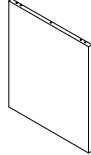
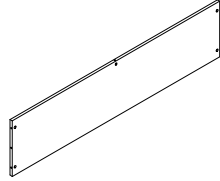



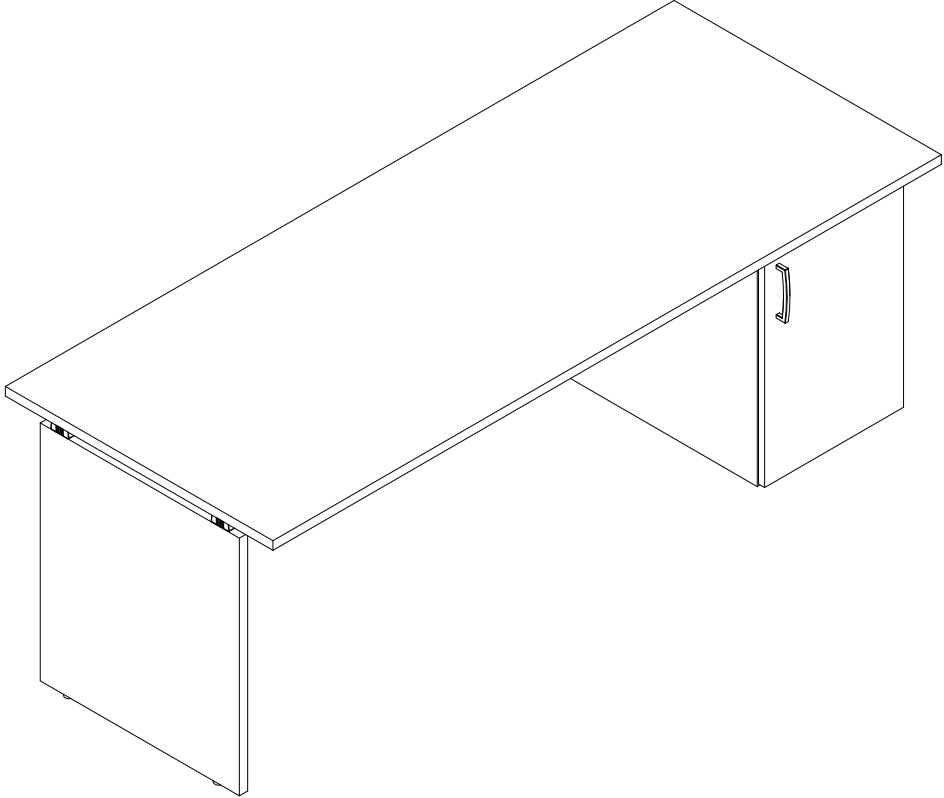











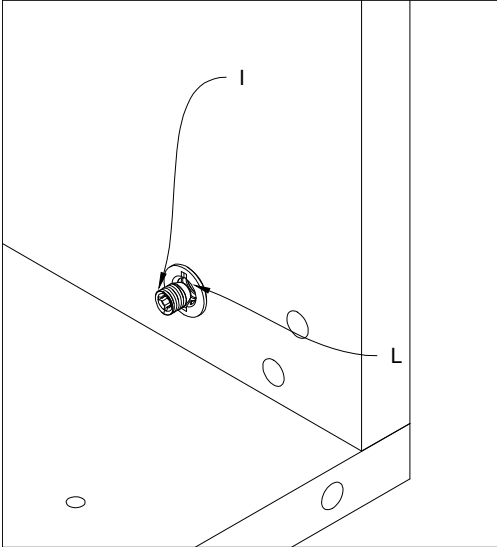
Ferramenta Hardware	Componenti Components								
Spine in legno 8x30 (G) 	Wooden pin 8x30 (G) n°20		Piano (A) Top (A)		Fianchi (B) Sides (B)		Base-cappello (C) Base-top (C)		Ripiano (D) Shelf (D)
Tirante 7x33.5 (H) 	Tie-rod 7x33.5 (H) n°12		Anta (E) Door (E)		Retro (F) Back panel (F)		Fianco (J) Side (J)		Traversa (K) Cross panel (K)
Grano 8x8 (I) 	Threaded screw 8x8 (I) n°15								
Barilotto 14x14 (L) 	Barrel 14x14 (L) n°15	Piedini regolabili diam.=35 (U) 	Adjustable feet diam.=35 (U) n°6						
Basetta (M) 	Hinge base (M) n°2	Spine in legno 8x50 (V) 	Wooden pin 8x50 (V) n°2						
Cerniera (N) 	Hinge (N) n°2	Tirante 7x53.5 (W) 	Tie-rod 7x53.5 (W) n°3						
Reggipiano (O) 	Shelf support (O) n°4	Distanziale (Z) 	Spacer (Z) n°3						
Bullone 4x25 (P) 	Bolt 4x25 (P) n°2	Chiave esagonale 	Hexagonal key n°1						
Maniglia (Q) 	Handle (Q) n°1								
Vite 4x16 (R) 	Screw 4x16 (R) n°4								
Bullone da 6x28 (T) 	Bolt 6x28 (T) n°4								

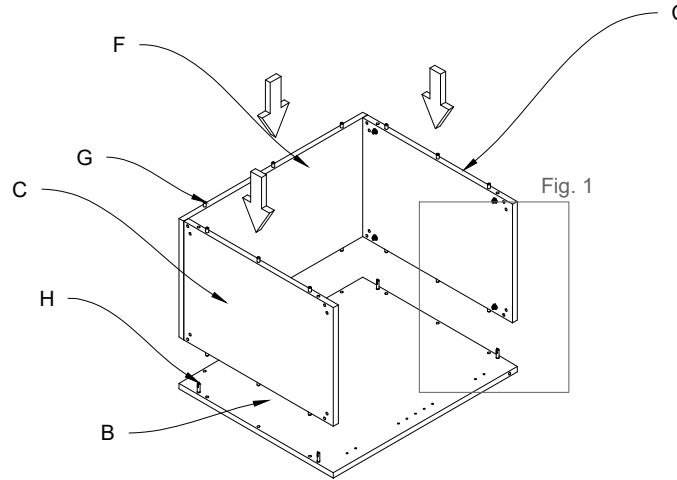
Fig.1 Serrare i grani (I) nei barilotti (L).

Fig.1 Tighten the threaded screws (I) in the barrels (L).



1) Unire base e cappello (C) al retro (F) tramite le spine (G) e tiranti (H) nel fianco (B).

1) Unite the base and top (C) to the back panel (F) by means of the wooden pins (G) and tie-rods (H) in the side (B).



3) Inserire il fianco (B) nella struttura tramite tiranti (H) e spine (G) ed inserire i piedini (U) nella base (C)

3) Insert the side (B) in the structure by means of the tie-rods (H) and wooden pins (G), insert the feet (U) in the base (C).

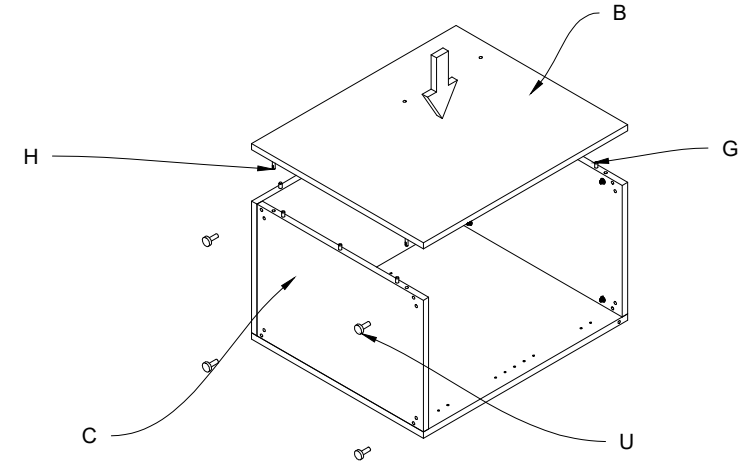
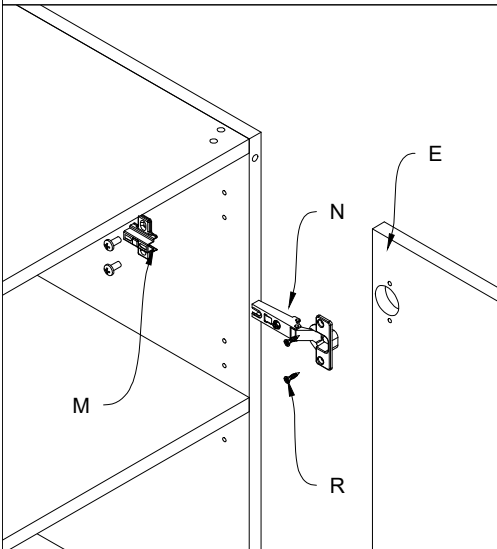


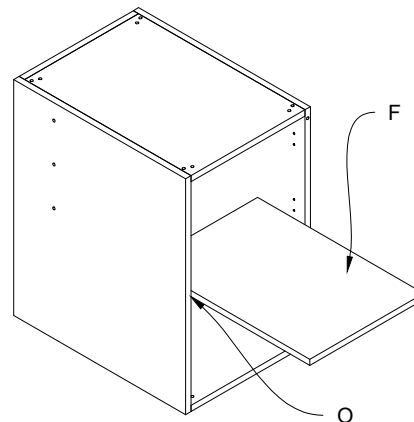
Fig.2 Inserire le basette (M) e le cerniere (N) nell'anta (E) tramite le viti (R).

Fig.2 Insert the base hinges (M) and hinges (N) in the door (E) by means of the screws (R).



5) Posizionare verticalmente la cassa, inserire il ripiano (F) con i reggipiani (O).

5) Position the container vertically and insert the shelf (F) by means of the shelf supports (O).



6) Inserire l'anta (E) e la maniglia (Q) tramite i bulloni (P).

6) Insert the door (E) and handle (Q) by means of the bolts (P).

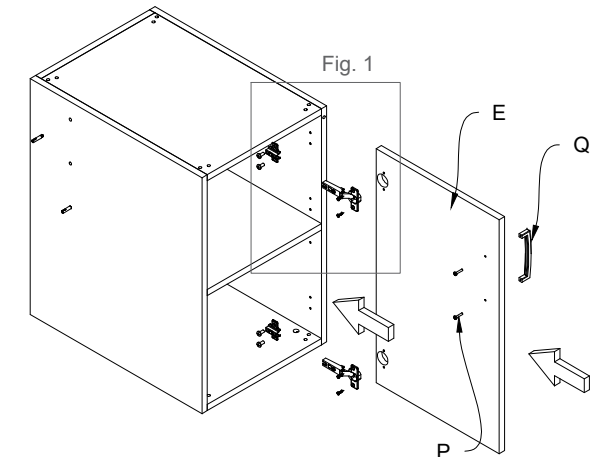
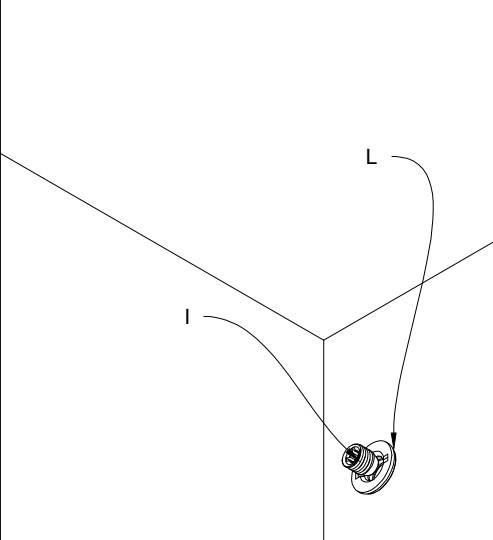
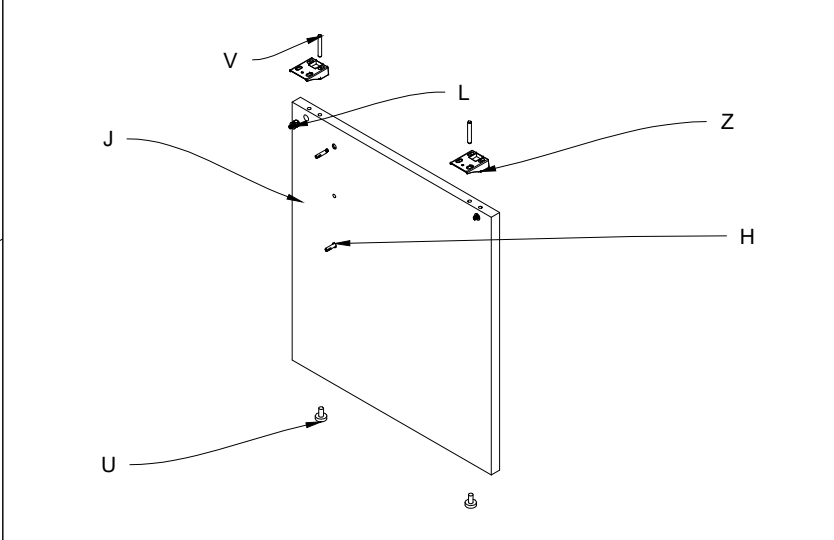


Fig.1 Serrare i grani (I) nei barilotti (L).
Fig.1 Tighten the threaded screws (I) in the barrels (L).



7) Inserire le spine (V), tiranti (H), distanziali (Z), barilotti (L) e i piedini (U) nel fianco (J).
7) Insert the wooden pins (V), tie-rods (H), spacers (Z), barrels (L) and feet (U) in the side (J)



8) Unire la traversa (K) al fianco (J) tramite le spine (G), tiranti (H), barilotti (L) ed inserire il distanziale (Z).
8) Unite the cross panel (K) to the side (J) by means of the wooden pins (G), tie-rods (H) and barrels (L), insert the spacers (Z)

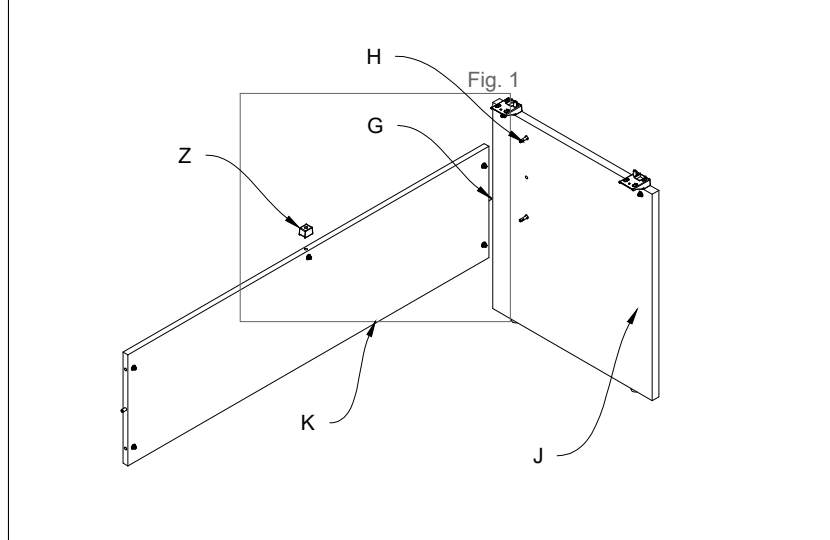
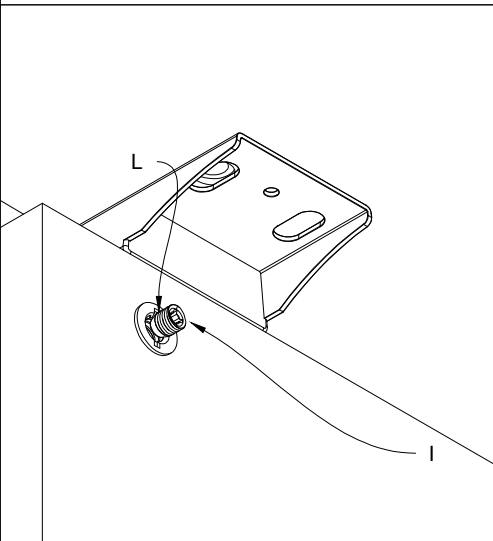
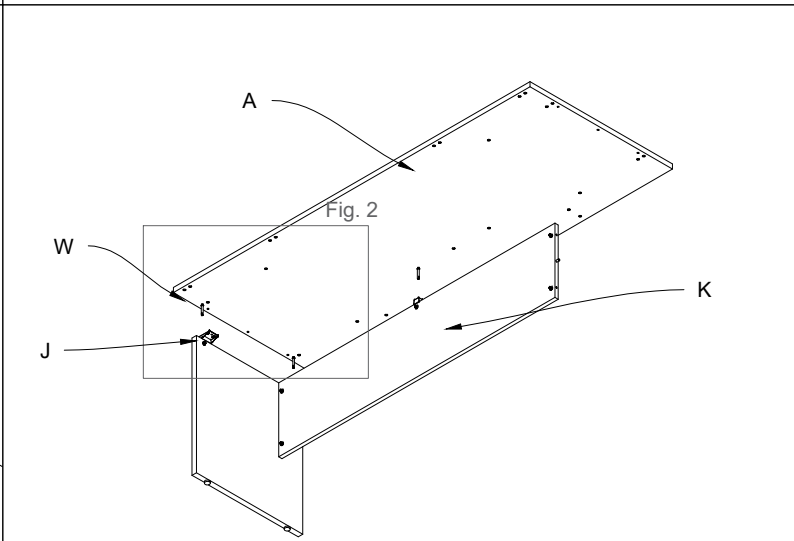


Fig.2 Serrare i grani (I) nei barilotti (L).
Fig.2 Tighten the threaded screws (I) in the barrels (L).



9) Unire il piano (A) alla traversa (K) e al fianco (J) tramite i tiranti (W).
9) Unite the top (A) to the cross panel (K) and side (J) by means of the tie-rods (W).



10) Unire la scrivania al mobile portante tramite i bulloni (T).
10) Unite the desk to the structural cabinet by means of the bolts (T).

