
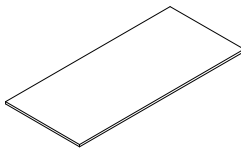
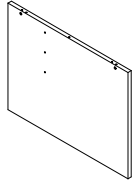
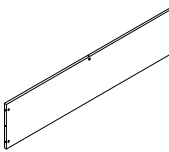
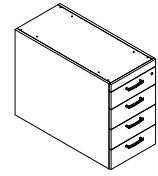










Ferramenta Hardware	Componenti Components		Piano (A) Top (A)		Fianco (B) Side (B)		Traversa (C) Cross panel (C)		Cassettiera (D) Chest of drawers(D)
Spine in legno 8x30 (P) 	Wooden pin 8x30 (P) n°5								
Tirante 7x33.5 (Q) 	Tie-rod 7x33.5 (Q) n°7								
Grano 8x8 (R) 	Threaded screw 8x8 (R) n°7								
Bariotto 14x14 (S) 	Barrel 14x14 (S) n°7								
Bullone 4x25 (T) 	Bolt 4x25 (T) n°8								
Maniglia (U) 	Handle (U) n°4								
Bullone da 6x28 (V) 	Bolt 6x28 (V) n°4								
Piedini regolabili diam.=35 (Z) 	Adjustable feet diam.=35 (Z) n°6								
Chiave esagonale 	Hexagonal key n°1								

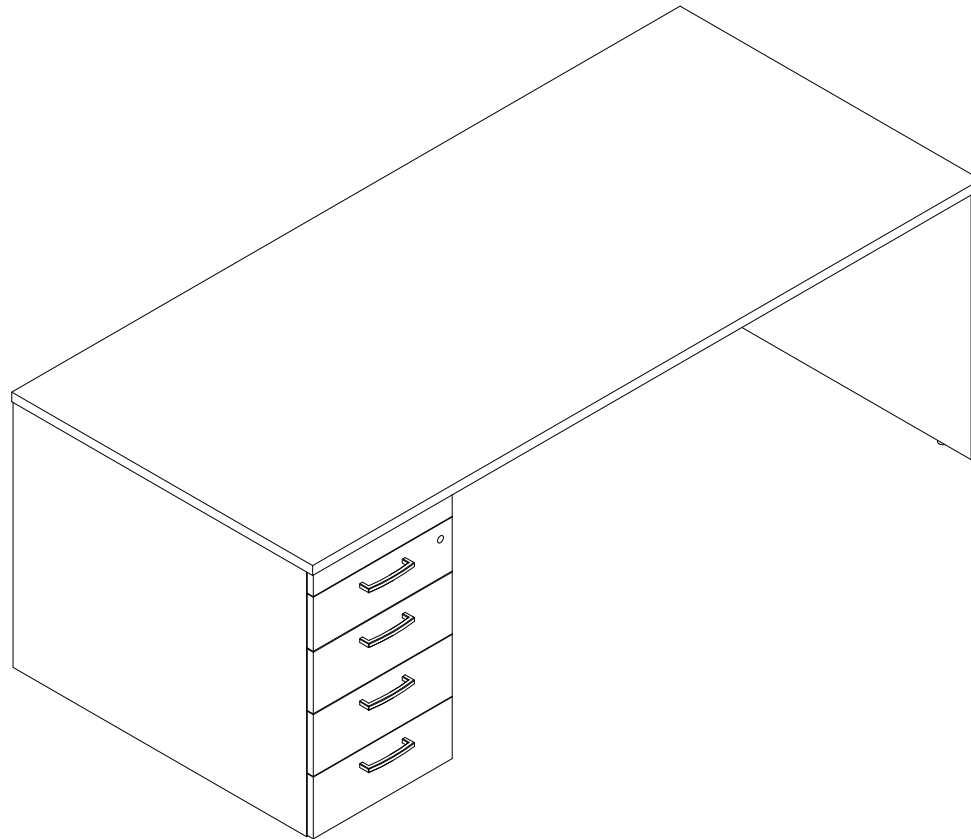


Fig.1 Posizionare i bulloni (T) per fissare le maniglie (U)
Fig.1 Position the bolts (T) to fasten the handles (U)

1) Inserire i piedini (Z) nella cassetiera (D).
1) Insert the feet (Z) in the chest of drawers (D)

2) Inserire le maniglie (U) nella cassetiera (D) tramite i bulloni (T).
2) Insert the handles (U) in the chest of drawers (D) by means of the bolts (T)

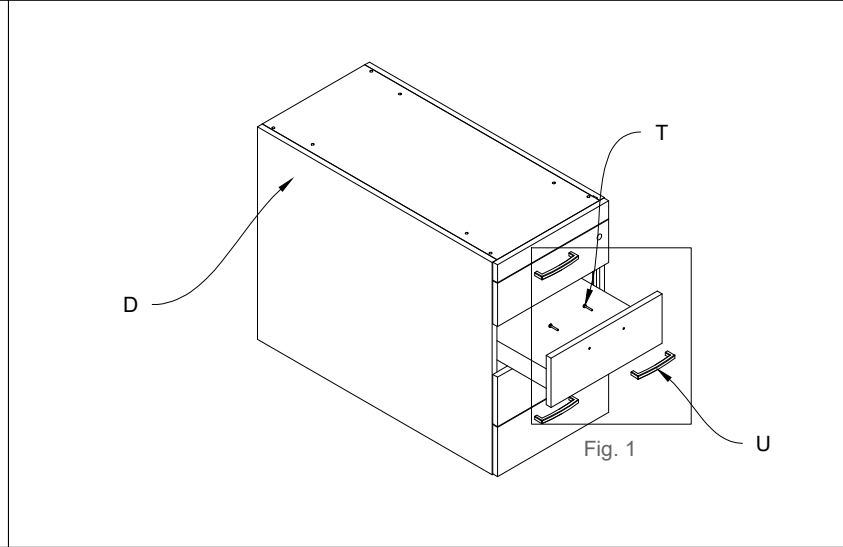
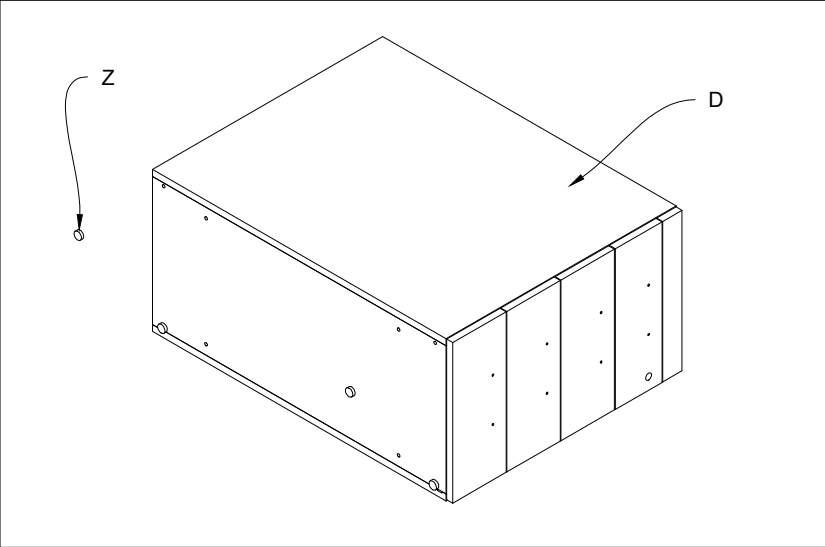
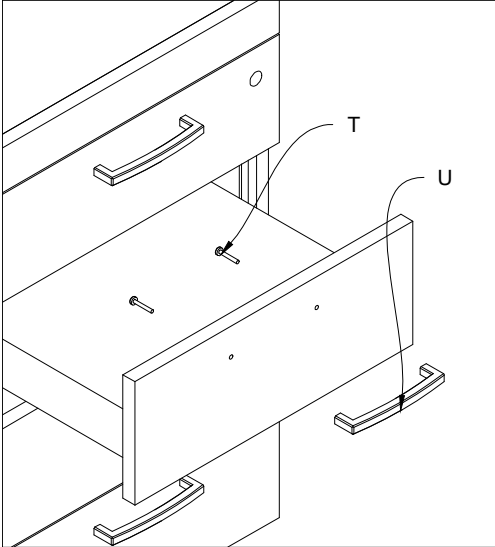


Fig.2 Inserire le spine (P), tiranti (Q) e i barilotti (S) nei fianchi (B).
Fig.2 Insert the wooden pins (P), tie-roads (Q) and barrels (S) in the sides (B)

3) Inserire le spine (P), tiranti (Q), barilotti (S) e i piedini (Z) nel fianco (B).
3) Insert the wooden pins (P), tie-roads (Q), barrels (S) and feet (Z) in the side (B)

4) Unire la traversa (D) al fianco (B) tramite le spine (P), tiranti (Q) e barilotti (S).
4) Unite the crossbar (D) to the side (B) by means of the wooden pins (P), tie-roads (Q) and barrels (S)

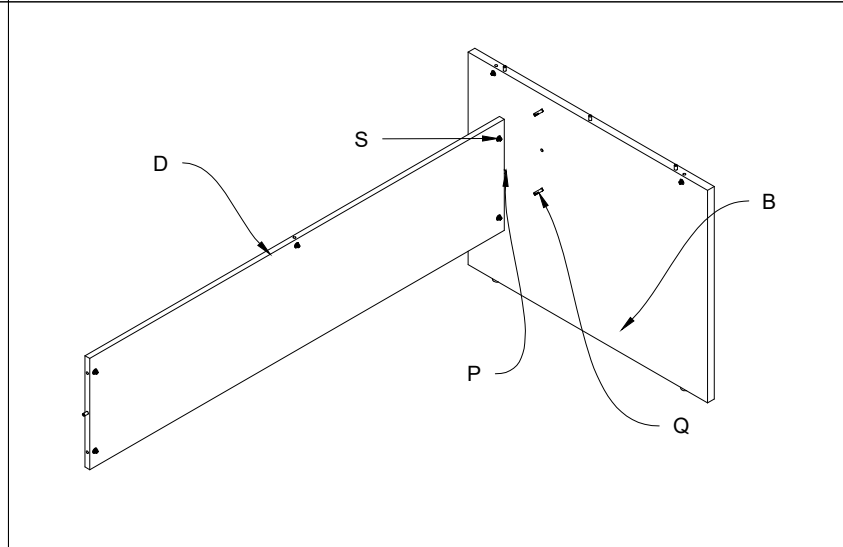
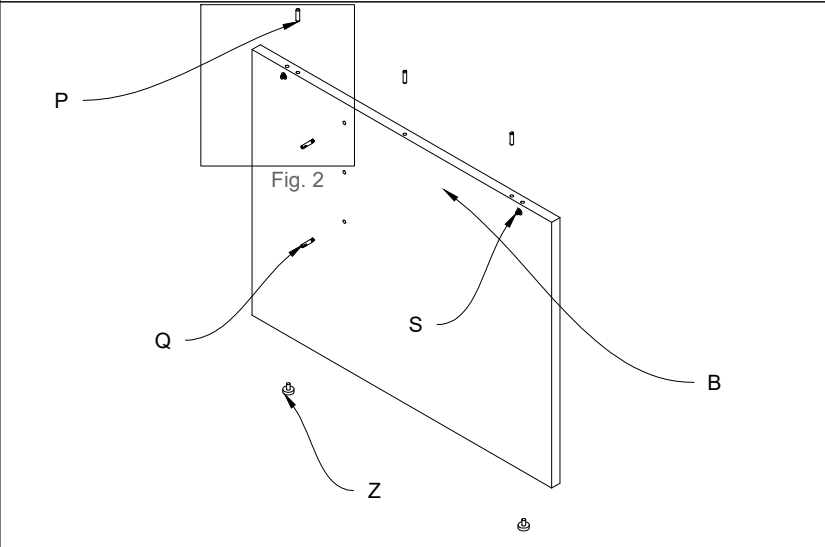
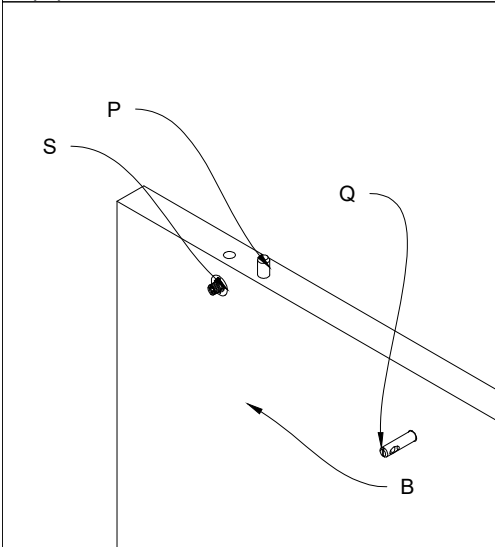
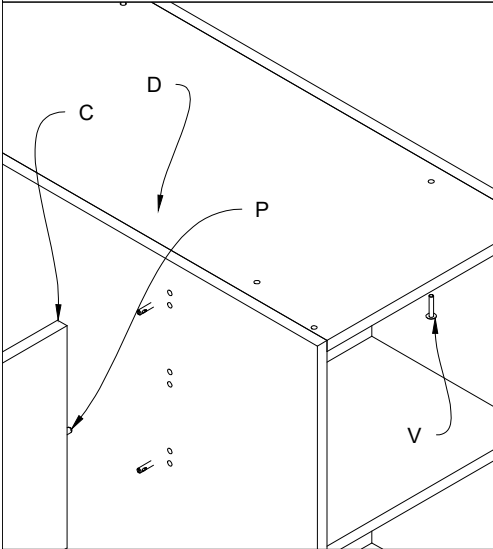
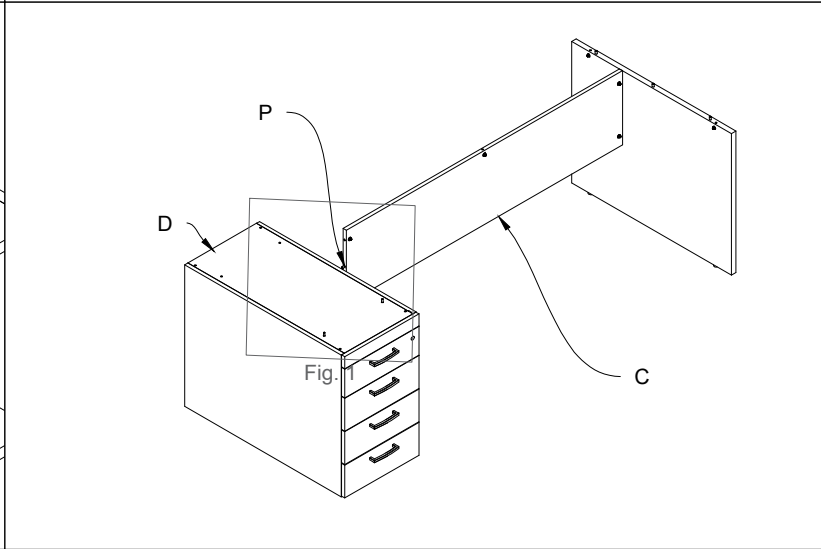


Fig.1 Unire le traversa (C) con la cassetiera (D) tramite le spine (P) e inserire i bulloni (V).
Fig.1 Unite the crossbar (C) to the chest of drawers (D), insert the bolts (V)



5) Unire la traversa (C) con la cassetiera (D) tramite le spine (P).
5) Unite the crossbar (C) to the chest of drawers (D) by means of the wooden pins (P).



6) Posizionare il piano (A) sopra la struttura.
6) Position the top (A) above the structure

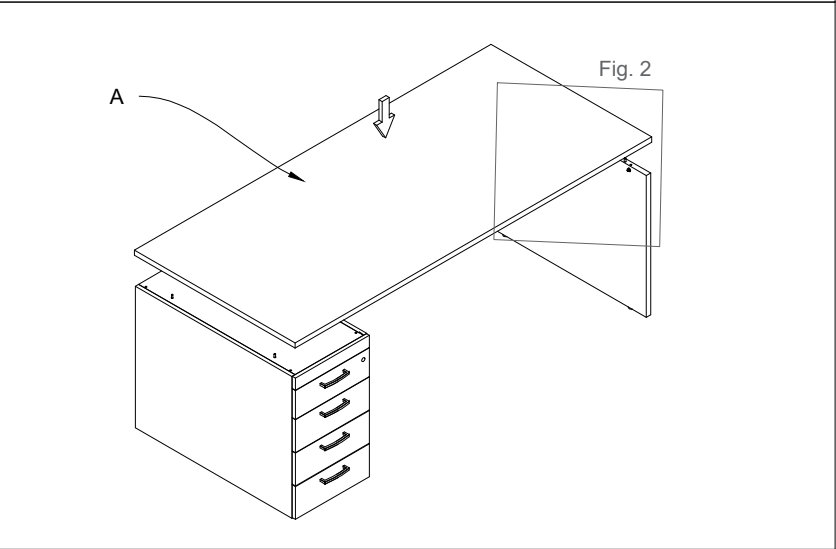


Fig.2 Unire il piano (A) con la struttura tramite le spine (P), tiranti (Q) e serrare i grani (R).
Fig.2 Unite the top (A) to the structure by means of the wooden pins (P) and tie-rods (Q), tighten the threaded screws (R)

