

Ferramenta Hardware	Componenti Components		Piano (A) Top (A)		Gambone autoportante (B) Self bearing leg (B)				
Bullone da 6x16 (S) 	Bolt 6x16 (S) n°8								
Bullone da 6x20 (T) 	Bolt 6x20 (T) n°4								
Piedini (U) 	Feet (U) n°1								
Staffa retta (V) 	Straight bracket (V) n°2								
Dado (Z) 	Nut (Z) n°1								
Chiave esagonale 	Hexagonal key n°1								

Fig.1 Posizionare bulloni (T) e gambone (B) nel piano (A)
 Fig.1 Position the bolts (T) and the self bearing leg (B) to the top (A)

1) Inserire il piedino (U) nel gambone autoportante (B) tramite il dado (Z).
 1) Insert the foot (U) in the self bearing leg (B) by means of the nut (Z)

2) Posizionare i bulloni (T) nel gambone (B) e fissarlo al piano (A).
 2) Position the bolts (T) in the self bearing leg (B) and fasten it to the top (A)

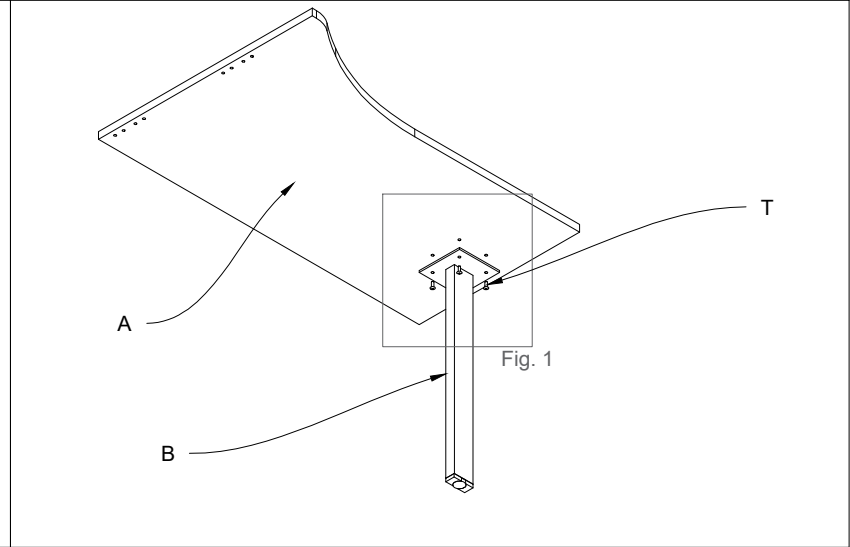
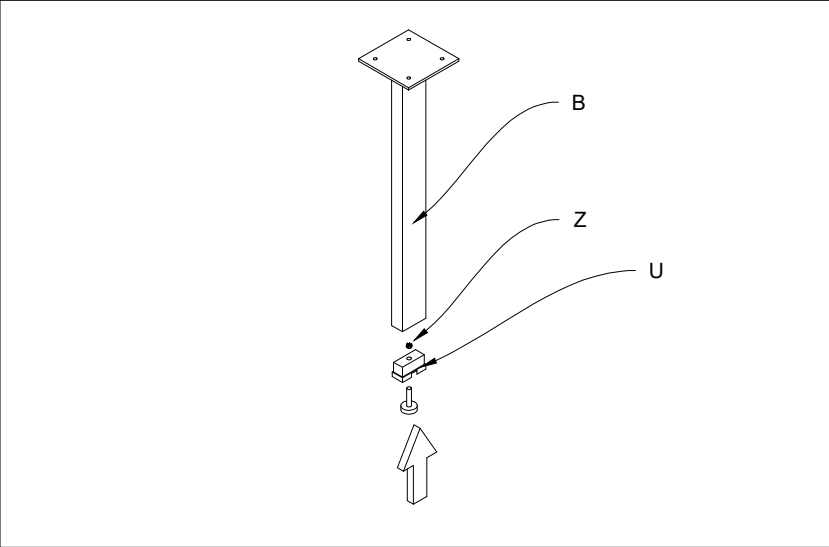
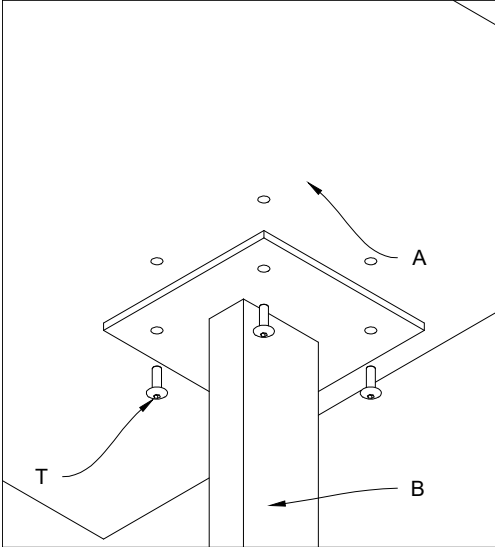


Fig.2 Inserire i bulloni (S) con la staffa (V) in corrispondenza dei fori
 Fig.2 Insert the bolts (S) with the bracket (V) in function to the holes

3) Fissare le staffe (V) nel piano (A) tramite i bulloni (S).
 3) Fasten the brackets (V) in the top (A) by means of the bolts (S)

4) Unire l'appendice alla scrivania tramite le staffe rette (V)
 4) Unite the desk return to the desk by means of the straight brackets (V)

