


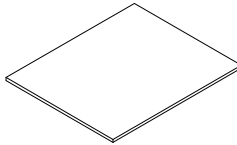
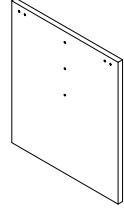
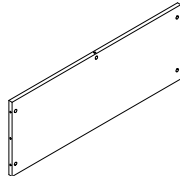








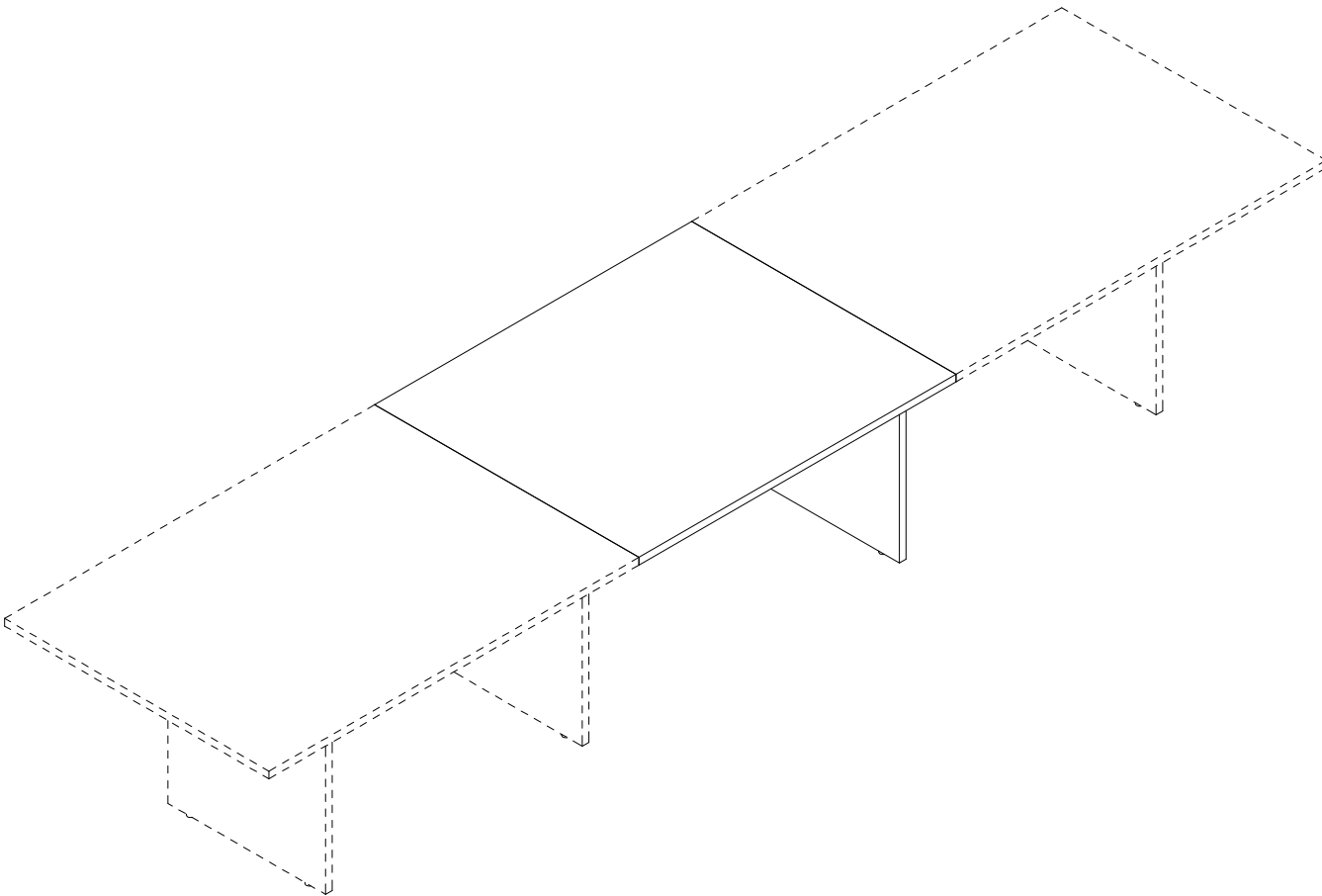
Ferramenta Hardware	Componenti Components		Piano (A) Top (A)		Fianco condiviso (B) Intermediate side (B)		Traversa (D) Cross panel (D)		
Staffa a "L" (P) 	"L" shaped bracket (P) n°4								
Bullone 6x20(Q) 	Bolt 6x20(Q) n°16								
Viti (R) 	Screws (R) n°16								
Spina in legno 8x30 (S) 	Wooden pin 8x30 (S) n°2								
Piedini regolabili diam.=35 (T) 	Adjustable feet diam.=35 (T) n°2								
Barilotto 14x14 (U) 	Barrel 14x14 (U) n°7								
Tirante 7x33.5 (V) 	Tie-rod 7x33.5 (V) n°7								
Grano 8x8 (Z) 	Threaded screw 8x8 (Z) n°7								
Chiave esagonale 	Hexagonal key n°1								
									

Fig.1 Posizionare spine (S), barilotti(U),tiranti(V) nei fianchi (B)
Fig.1 Position the wooden pins (S), barrels (U) and tie-rods (V) in the sides (B)

1) Posizionare le spine (S), i barilotti (U) e piedini (T) nei fianchi (B).
1) Position the wooden pins (S), barrels (U) and feet (T) in the sides (B)

2) Posizionare i barilotti (U) e le spine (S) nella traversa (D).
2) Position the barrels (U) and wooden pins (S) in the cross panel (D)

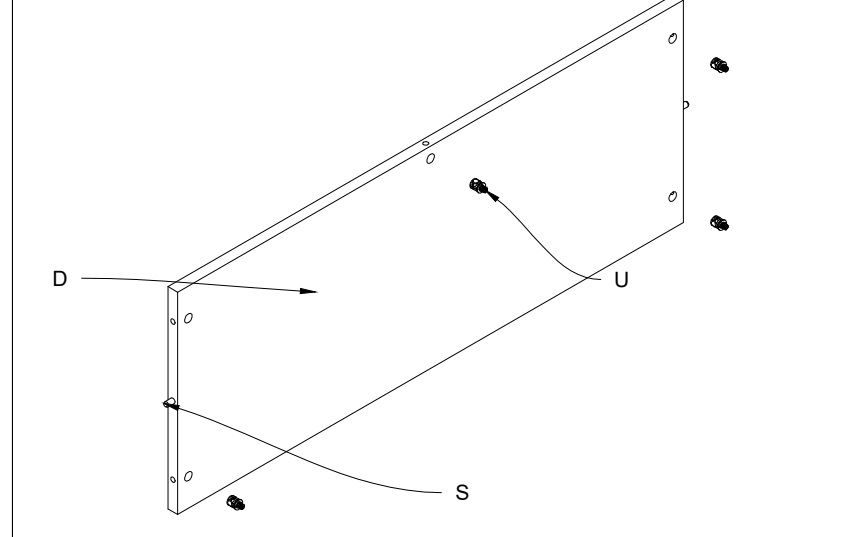
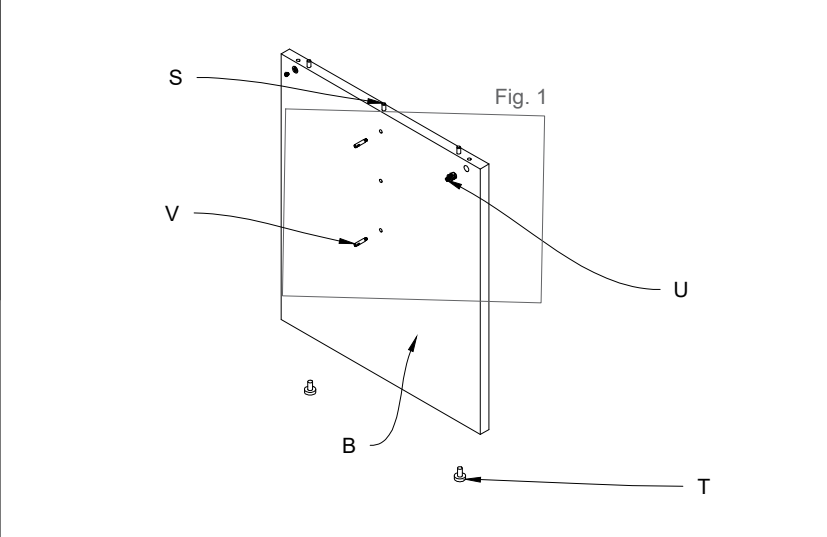
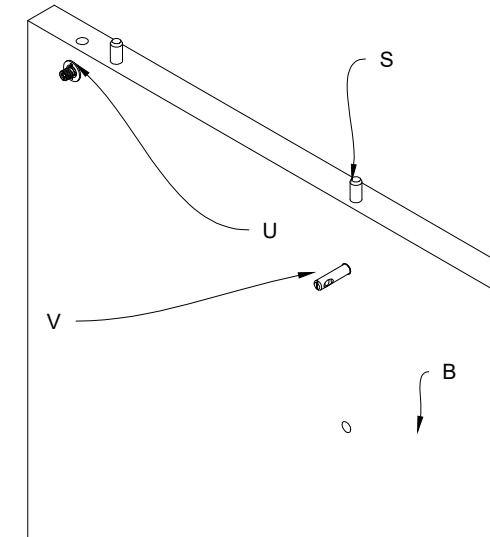


Fig.2 Posizionare i tiranti (V) nel piano (A).
Fig.2 Position the tie-rods (V) in the top (A)

3) Unire il fianco (B) alla traversa (D) tramite le spine (S) e i tiranti (V)
3) Unite the side (B) to the cross panel (D) by means of the wooden pins (S) and tie-rods (V)

4) Posizionare i tiranti (V) nel piano (A).
4) Position the tie-rods (V) in the top (A)

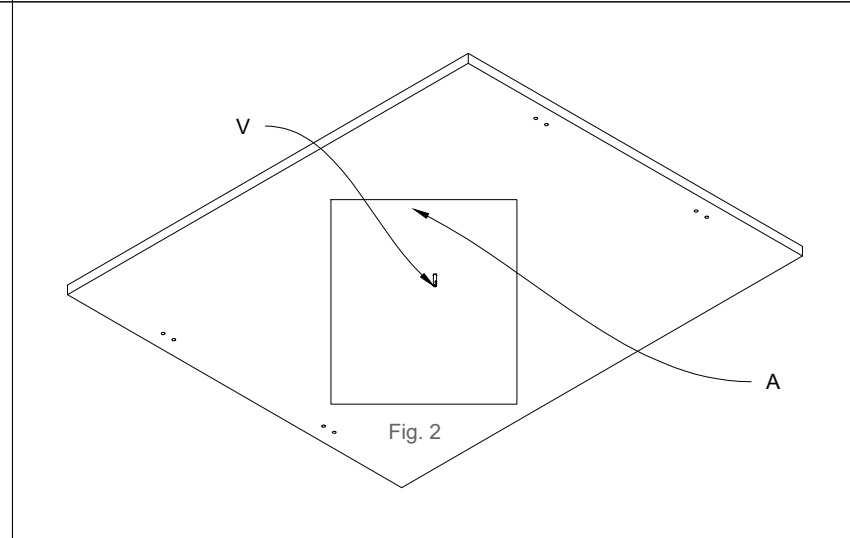
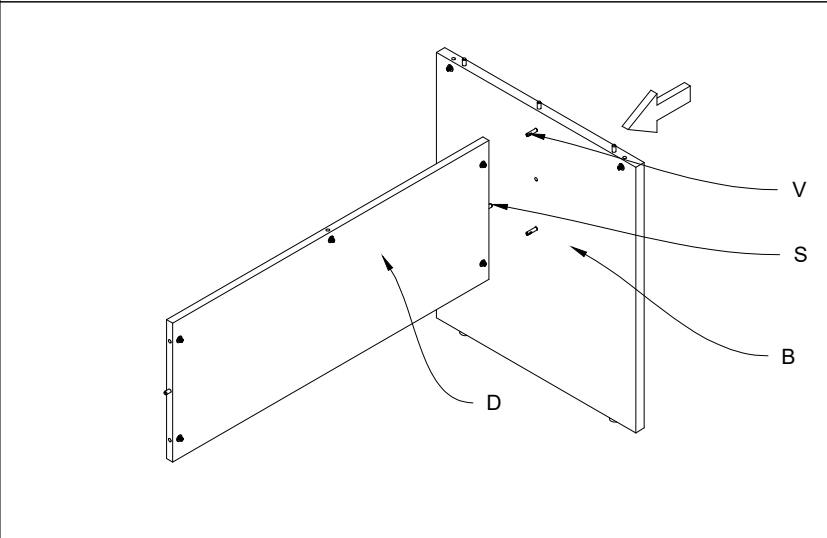
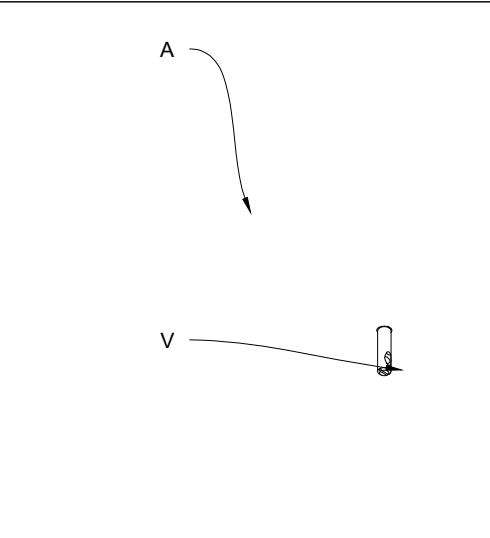
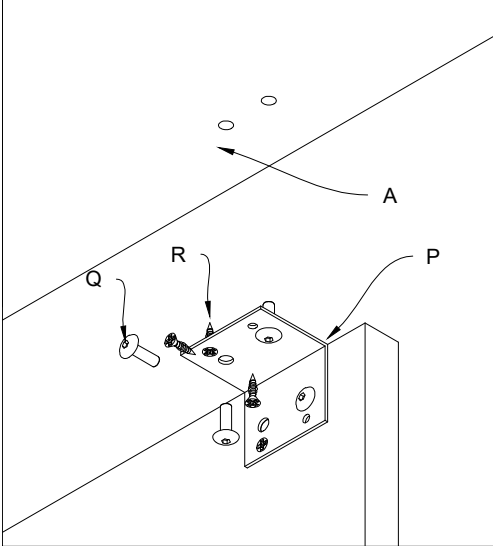


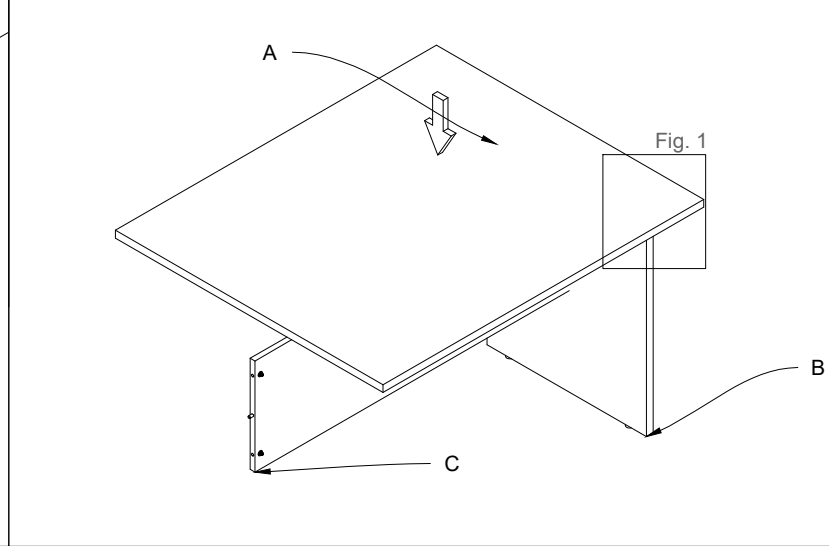
Fig.1 Inserimento della staffa a "L" (P) nel piano (A) tramite bulloni (Q) e viti (R).

Fig.1 Insert the "L" shaped bracket (P) in the top (A) by means of the bolts (Q) and screws (R)



5) Posizionare il Piano (A), sopra la struttura agganciandolo al fianco (B) e alla traversa (C) tramite i tiranti e le staffe a "L".

5) Position the top (A) above the structure, clasp it to the intermediate side (B) and cross panel (C) by means of the tie-rods and "L" shaped brackets



6) Inserire l'allungo in mezzo al tavolo riunione e unirlo tramite le spine (S) e i tiranti.

6) Insert the extension in between the meeting table and unite it by means of the wooden pins (S) and tie-rods

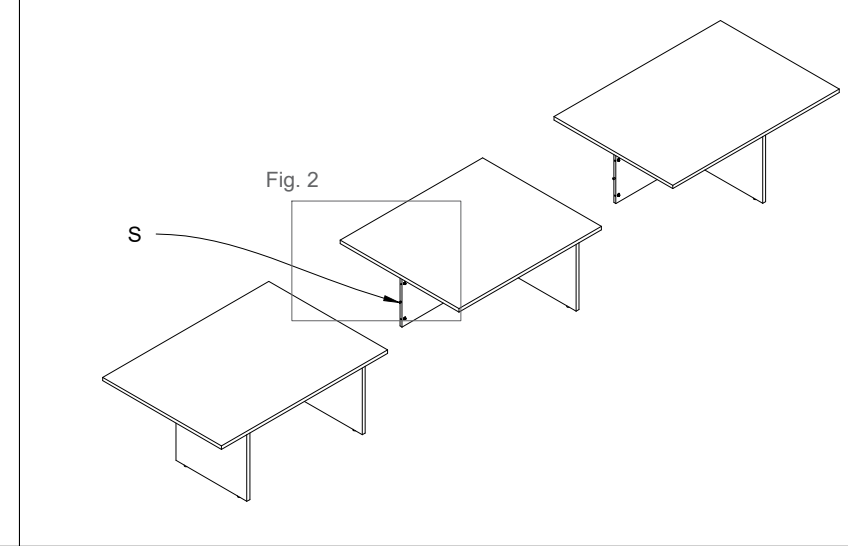
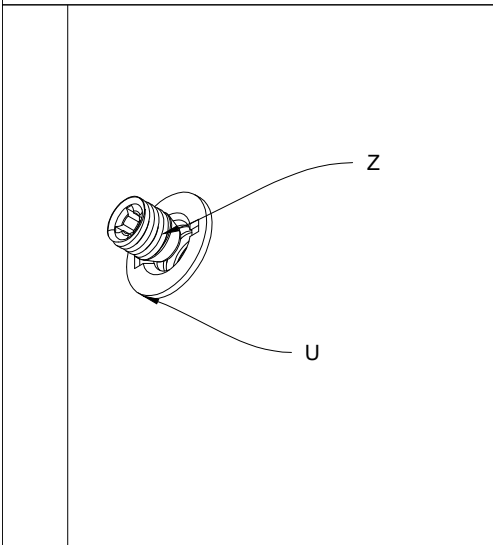


Fig.2 Serraggio grani (Z) nei barilotti (U)

Fig.2 Tighten the threaded screws (Z) in the barrels (U)



7) Unire il fianco (B) con il piano (A) tramite le staffe a "L" (P).

7) Unite the intermediate side (B) to the top (A) by means of the "L" shaped brackets (P)

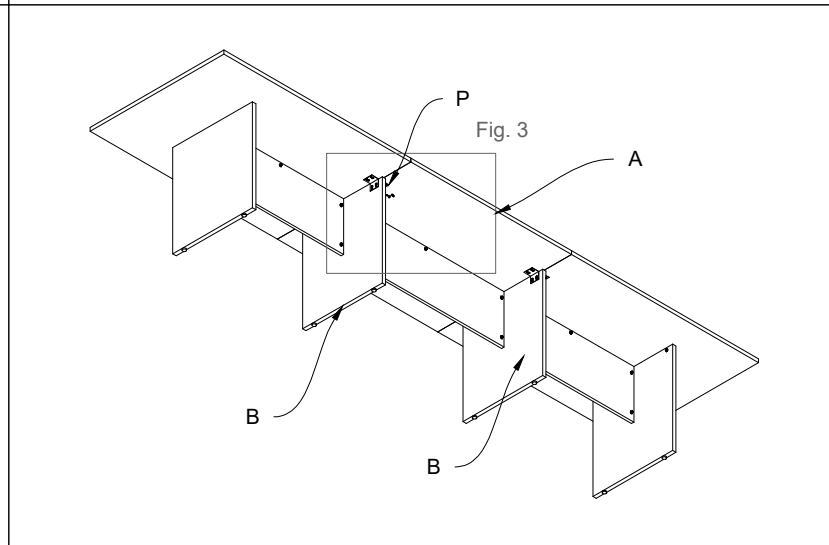


Fig.3 Unire le staffe a "L" (P) al piano (A) tramite i bulloni (Q) e le viti (R).

Fig.3 Fasten the "L" shaped brackets (P) to the top (A) by means of the bolts (Q) and screws (R)

