


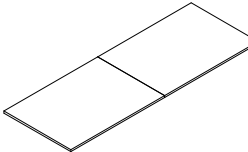
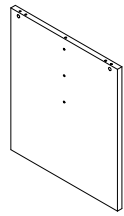

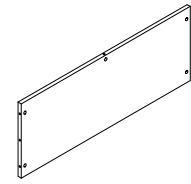








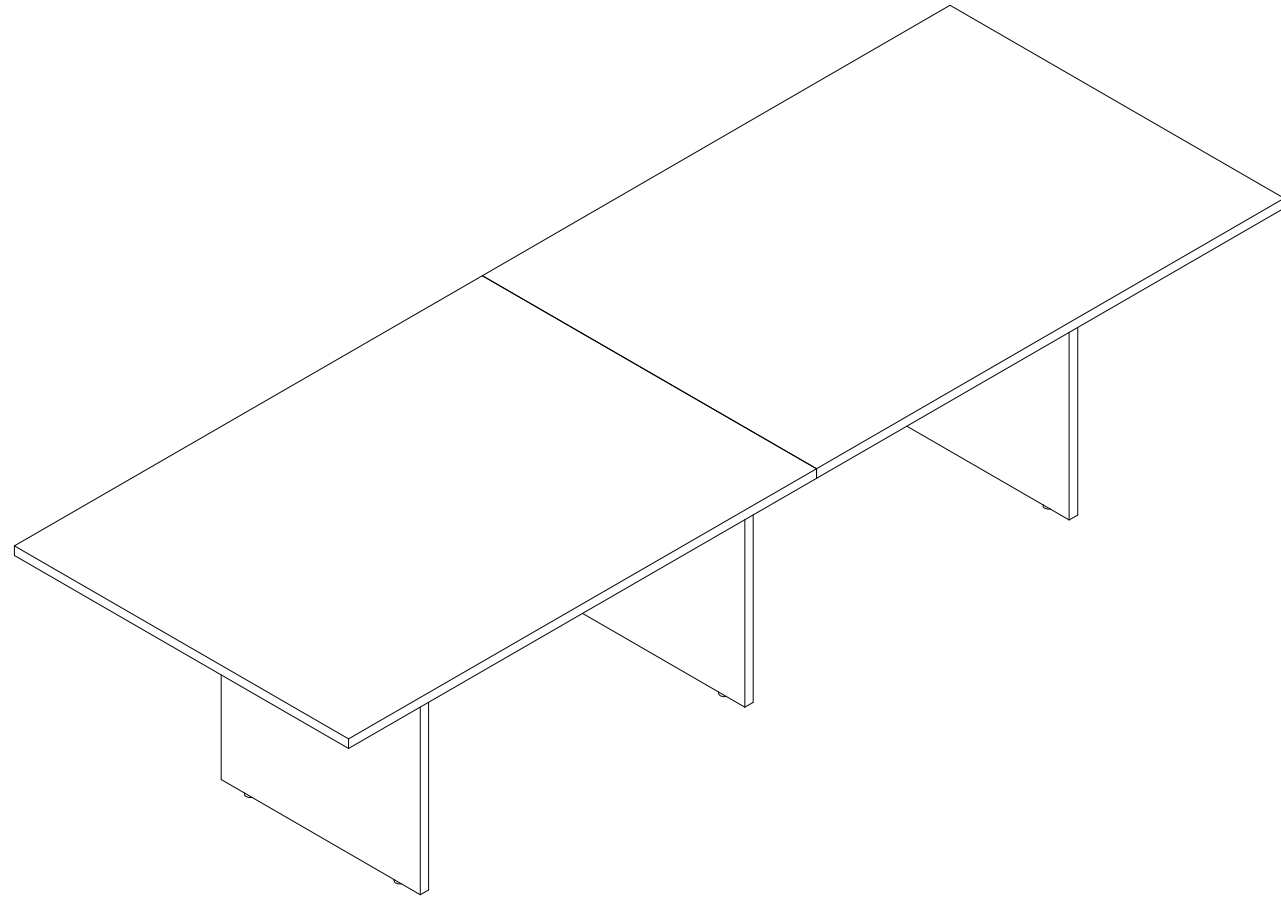
Ferramenta Hardware	Componenti Components		Piano (A) Top (A)	Fianco (B) Side (B)	Fianco condiviso (C) Intermediate side (C)	Traversa (D) Cross panel (D)	
Staffa a "L" (P) 	"L" shaped bracket (P) n°4						
Bullone 6x20(Q) 	Bolt 6x20 (Q) n°16						
Viti (R) 	Screws (R) n°16						
Spina in legno 8x30 (S) 	Wooden pin 8x30 (S) n°10						
Piedini regolabili diam.=35 (T) 	Adjustable feet diam.=35 (T) n°6						
Barilotto 14x14 (U) 	Barrel 14x14 (U) n°14						
Tirante 7x33.5 (V) 	Tie-rod 7x33.5 (V) n°14						
Grano 8x8 (Z) 	Threaded screw 8x8 (Z) n°14						
Chiave esagonale 	Hexagonal key n°1						
							

Fig.1 Posizionare spine (S), barilotti(U),tiranti(V) nei fianchi (B)
Fig.1 Position the wooden pins (S), barrels (U) and tie-rods (V) in the sides (B)

1) Posizionare le spine (S), i barilotti (U) e piedini (T) nei fianchi (B).
1) Position the wooden pins (S), barrels (U) and feet (T) in the sides (B)

2) Posizionare i barilotti (U) e le spine (S) nella traversa (D).
2) Position the barrels (U) and wooden pins (S) in the cross panel (D)

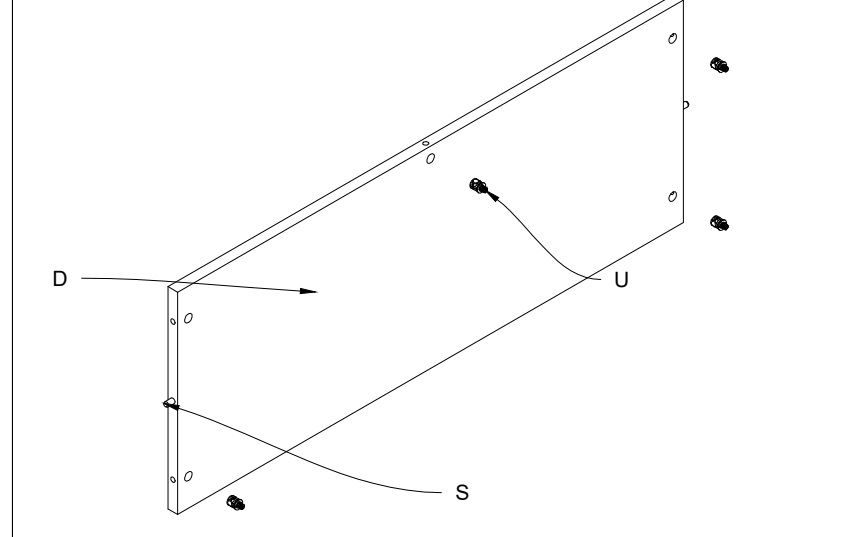
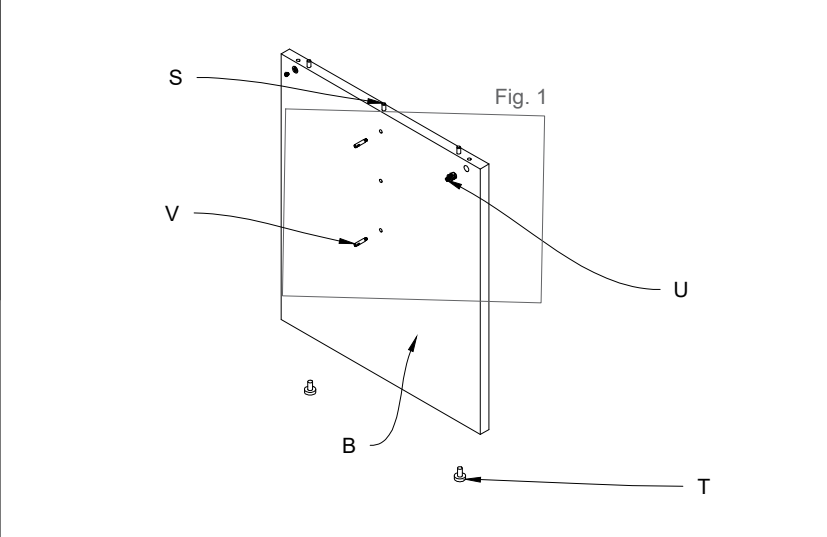
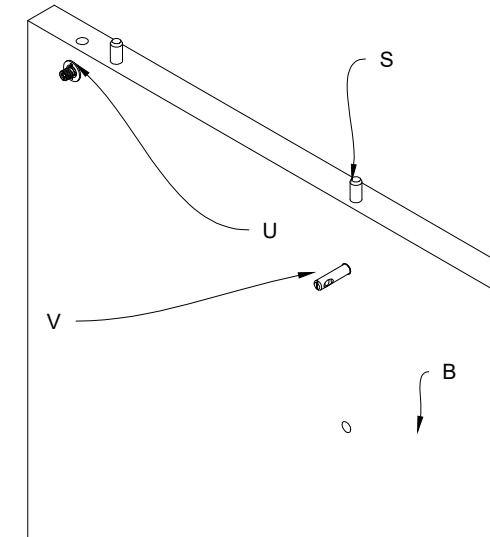


Fig.2 Posizionare i tiranti (V) nel piano (A).
Fig.2 Position the tie-rods (V) in the top (A)

3) Unire il fianco (B) alla traversa (D) tramite le spine (S) e i tiranti (V)
3) Unite the side (B) to the cross panel (D) by means of the wooden pins (S) and tie-rods (V)

4) Posizionare i tiranti (V) nel piano (A).
4) Position the tie-rods (V) in the top (A)

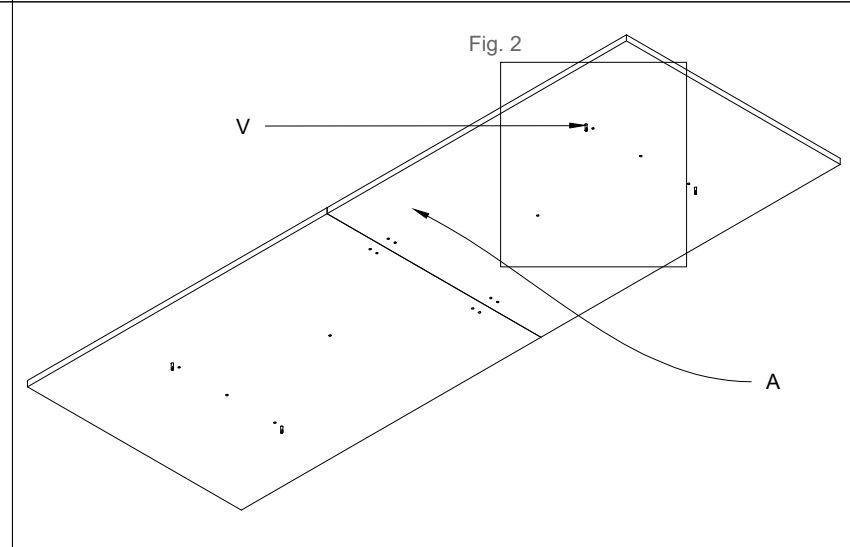
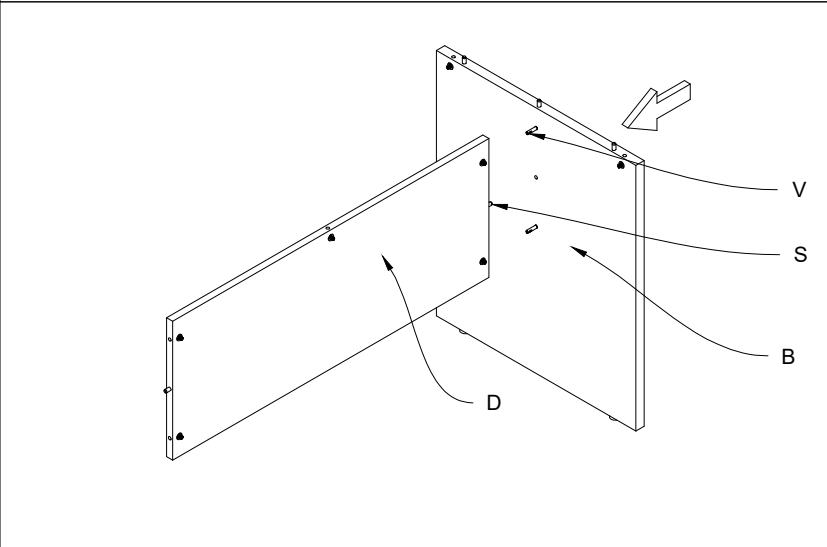
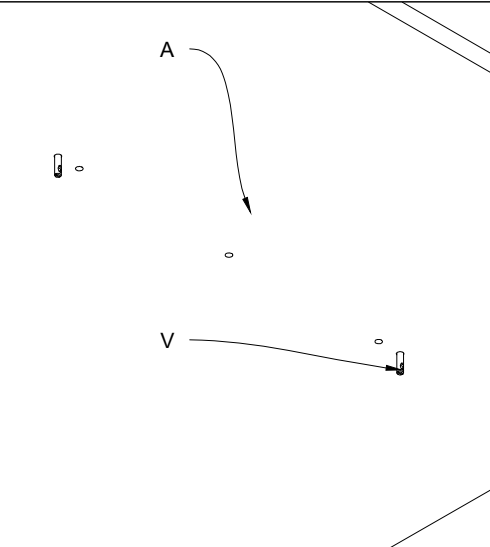
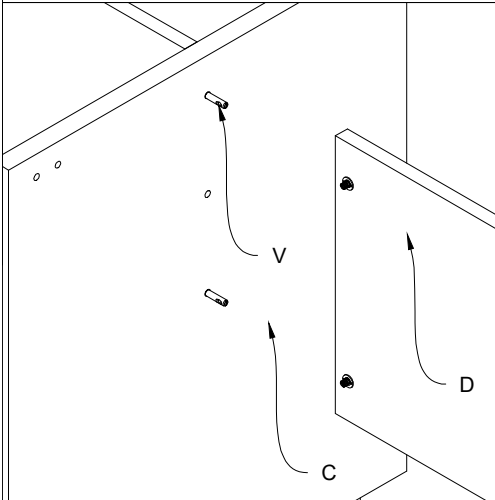
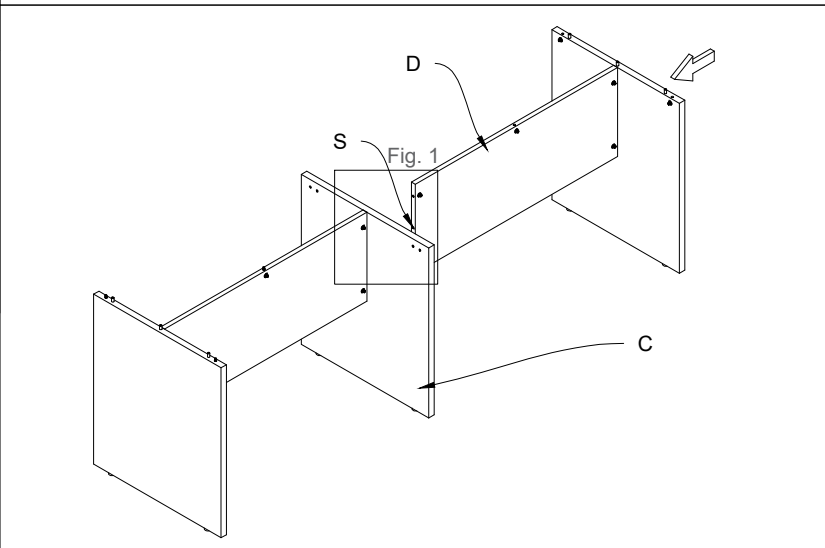


Fig.1 Inserimento della traversa (D) nel fianco condiviso (C) tramite spine e tiranti (V).
 Fig.1 Insert the cross panel (D) in the intermediate side (C) by means of the wooden pins and tie-rods (V).



5) Unire la traversa (D) con il fianco condiviso (C) tramite le spine (S) e i tiranti (V).
 5) Unite the cross panel (D) and intermediate side (C) by means of the wooden pins (S) and tie-rods (V)



6) Posizionare il Piano (A), sopra la struttura e agganciarlo tramite le spine (S) e i tiranti (V)
 6) Position the top (A) above the structure and clasp it by means of the wooden pins (S) and tie-rods (V)

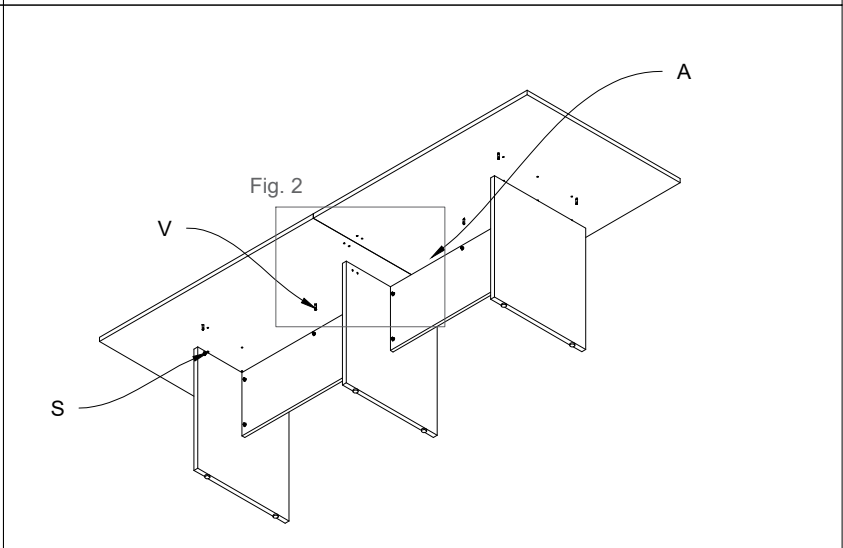
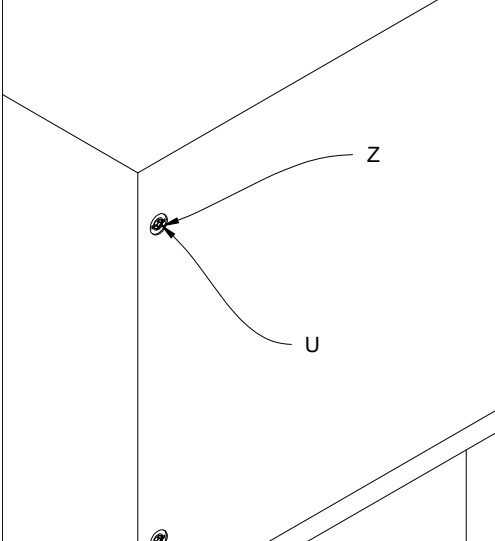


Fig.2 Serraggio grani (Z) nei barilotti (U)
 Fig.2 Tighten the threaded screws (Z) in the barrels (U)



7) Unire il fianco condiviso (C) con il piano (A) tramite le staffe a "L" (P).
 7) Unite the intermediate side (C) to the top (A) by means of the "L" shaped brackets (P)

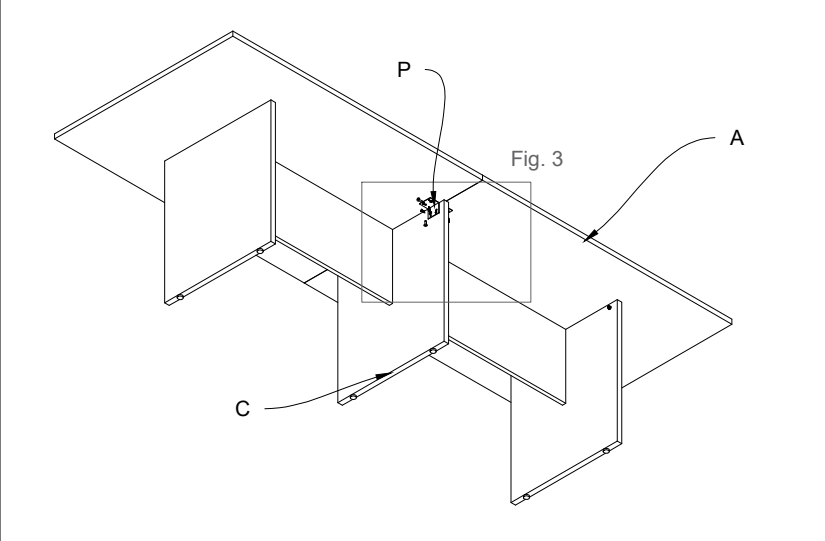


Fig.3 Unire le staffe a "L" (P) al piano (A) tramite i bulloni (Q) e le viti (R).
 Fig.3 Fasten the "L" shaped brackets (P) to the top (A) by means of the bolts (Q) and screws (R)

