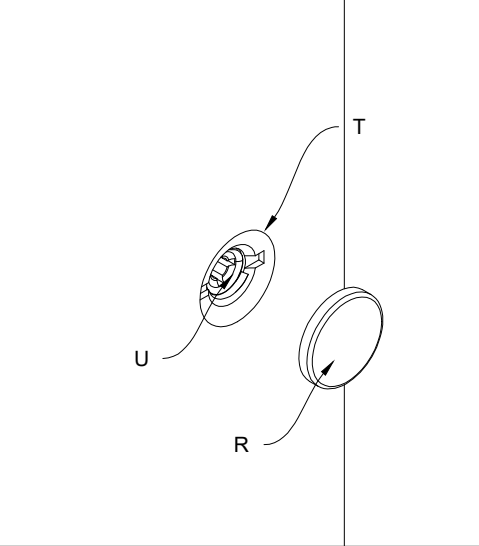
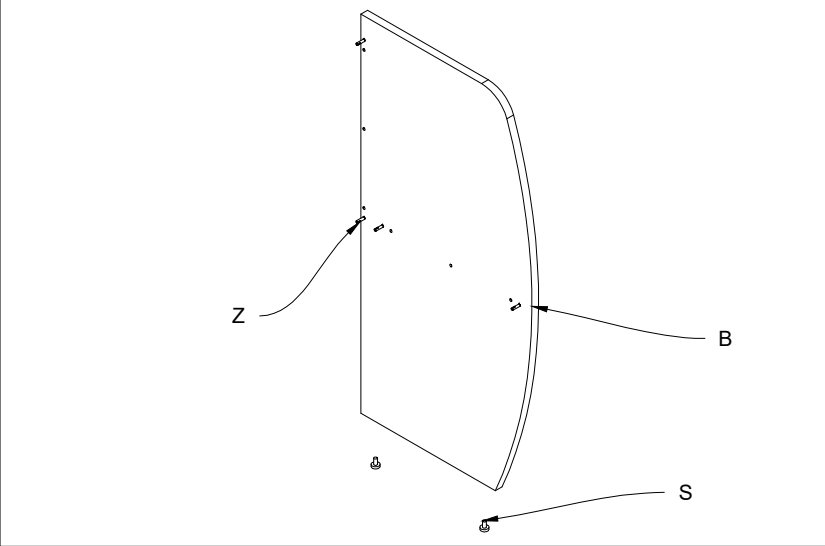




Fig.1 Serrare i grani (U) nei barilotti (T) e coprirli con i tappi (R)  
 Fig.1 Tighten the threaded screws (U) in the barrels (T) and cover them with the caps (R)



1) Posizionare i tiranti (Z) e i piedini (S) in un fianco (B)  
 1) Position the tie-rods (Z) and feet (S) in the side (B)



2) Inserire il piano (A) nel fianco (B) tramite i tiranti (Z) e spine (V)  
 2) Insert the top (A) in the side (B) by means of the tie-rods (Z) and wooden pins (V)

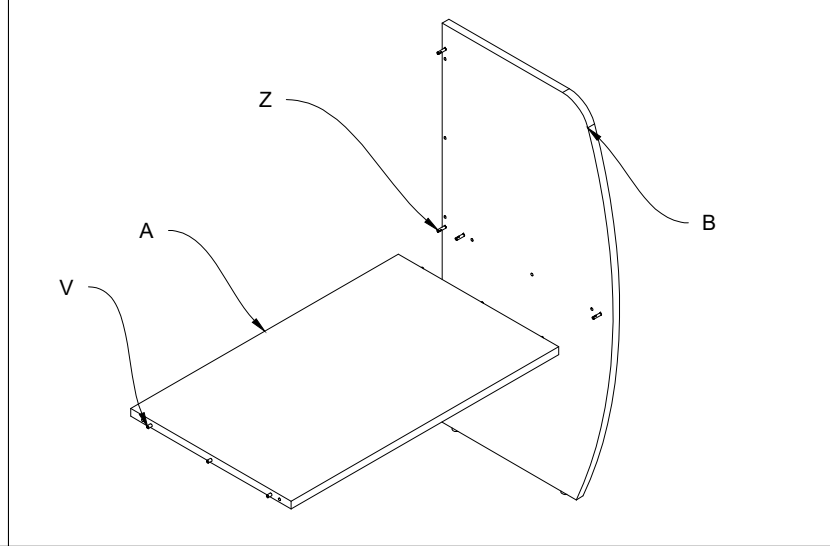
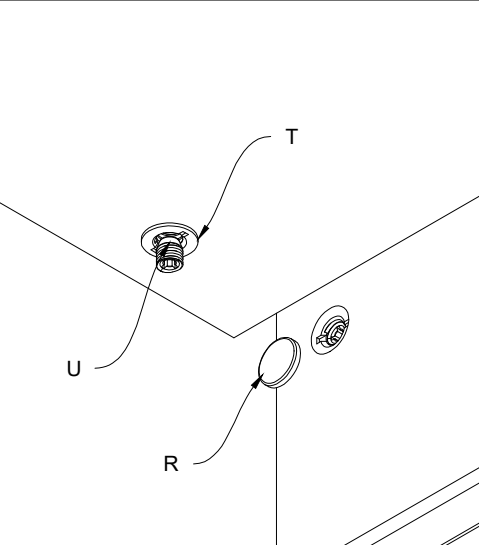
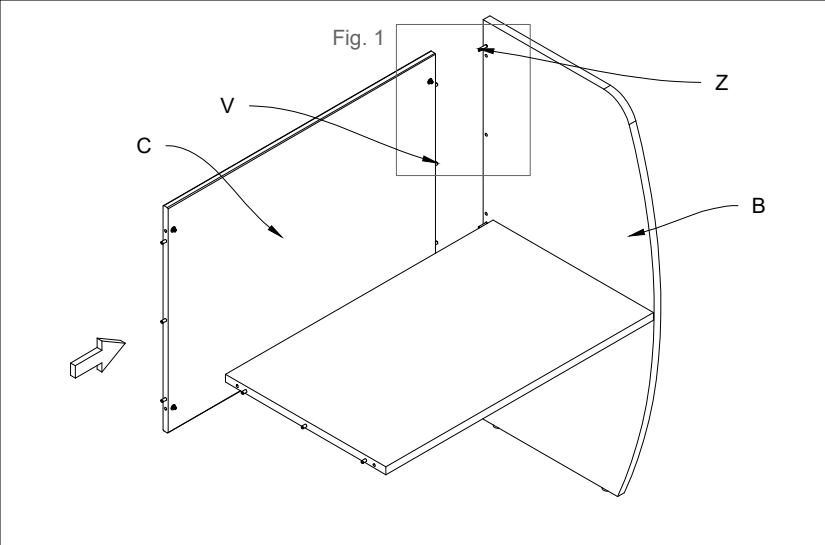


Fig.2 Serrare i grani (U) nei barilotti (T) e coprirli con i tappi (R)  
 Fig.2 Tighten the threaded screws (U) in the barrels (T) and cover them with the caps (R)



3) Inserire il frontale (C) nel fianco (B) tramite i tiranti (Z) e spine (V).  
 3) Insert the frontal panel (C) in the side (B) by means of the tie-rods (Z) and wooden pins (V)



4) Inserire il secondo fianco (B) nel piano (A) e nel frontale (C) tramite i tiranti e le spine (V).  
 4) Insert the second side (B) in the top (A) and frontal panel (C) by means of the tie-rods (Z) and wooden pins (V)

