
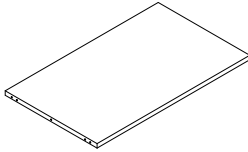

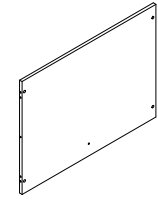









Schema di montaggio Assembly diagram

Ferramenta Hardware	Componenti Components		Piano (A) Top (A)		Fianco (B) Side (B)		Frontale (C) Frontal panel (C)		
Bullone 4x16 (Q) 	Bolt 4x16 (Q) n°4								
Staffa a "L" (R) 	"L" shaped bracket (R) n°1								
Piedini diam. 35 (S) 	Feet diam. 35 (S) n°4								
Bariotto 14x14 (T) 	Barrel 14x14 (T) n°8								
Grano 8x8 (U) 	Threaded screw 8x8 (U) n°8								
Spina 8x30 (V) 	Wooden pin 8x30 (V) n°12								
Tirante 7x33.5 (Z) 	Tie-rod 7x33.5 (Z) n°8								
Chiave esagonale 	Hexagonal key n°1								

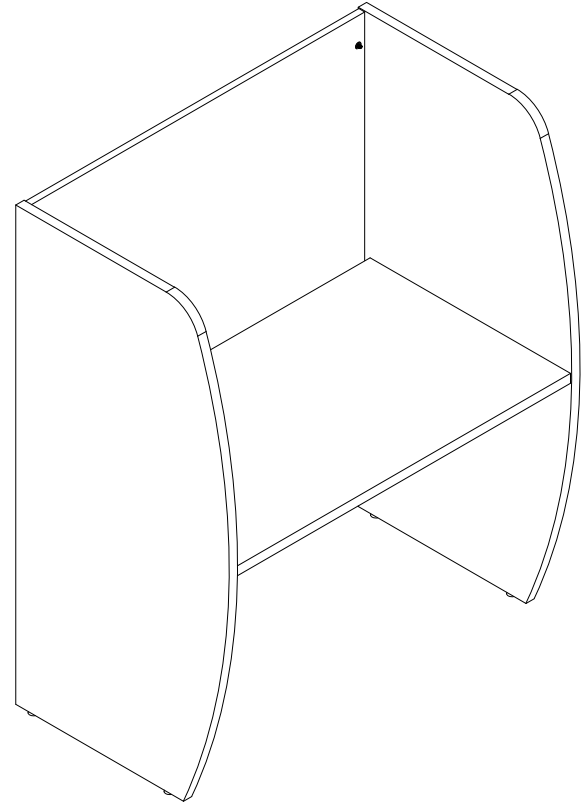
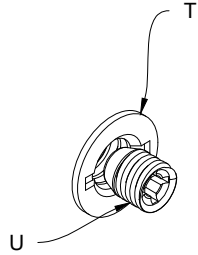


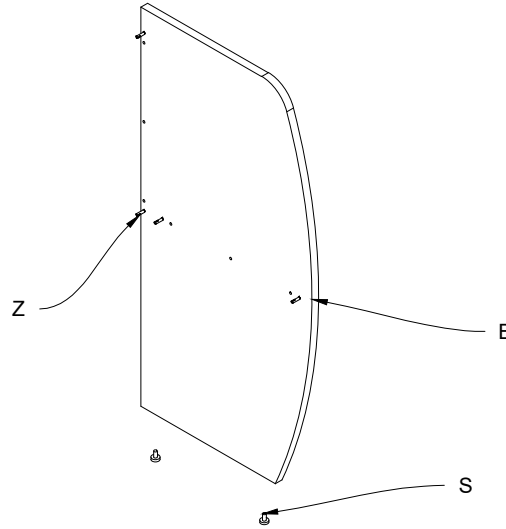
Fig.1 Serrare i grani (U) nei barilotti (T)

Fig.1 Tighten the threaded screws (U) in the barrels (T)



1) Posizionare i tiranti (Z) e i piedini (S) in un fianco (B)

1) Position the tie-rods (Z) and feet (S) in the side (B)



2) Inserire il piano (A) nel fianco (B) tramite i tiranti (Z) e spine (V)

2) Insert the top (A) in the side (B) by means of the tie-rods (Z) and wooden pins (V)

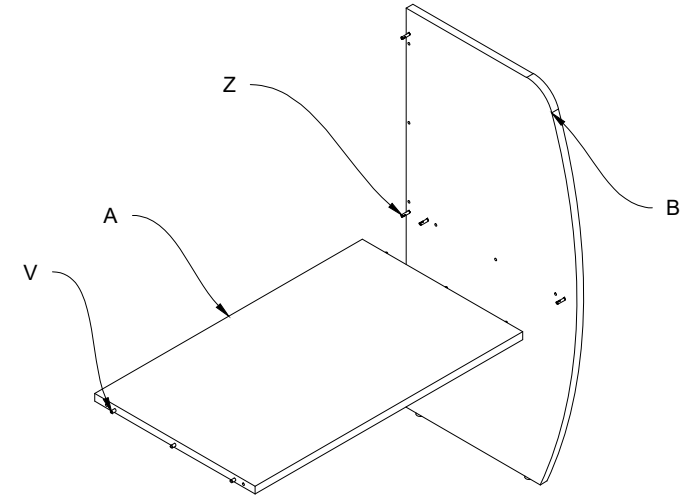
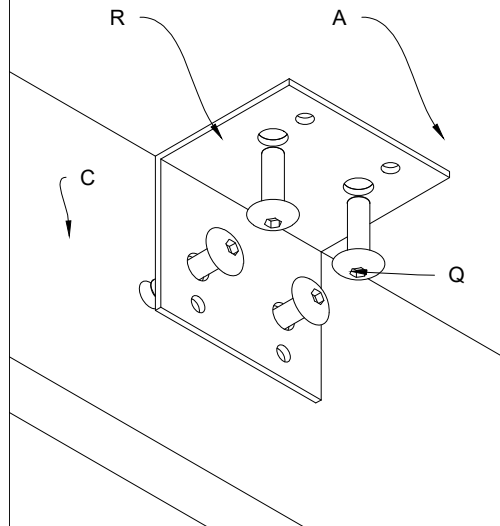


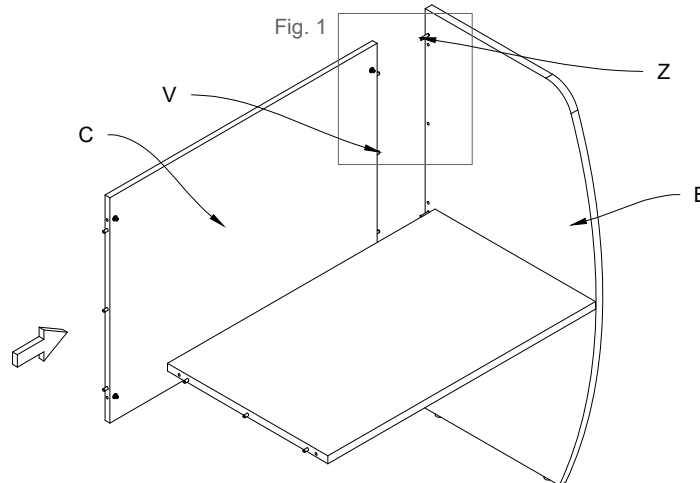
Fig.2 Posizionare la staffa a "L" (R) tra il frontale (C) e il piano (A) e serrare i bulloni (Q).

Fig.2 Position the "L" shaped bracket (R) between the frontal panel (C) and top (A), tighten the bolts (Q)



3) Inserire il frontale (C) nel fianco (B) tramite i tiranti (Z) e spine (V).

3) Insert the frontal panel (C) in the side (B) by means of the tie-rods (Z) and wooden pins (V)



4) Inserire il secondo fianco (B) nel piano (A) e nel frontale (C) tramite i tiranti e le spine (V).

4) Insert the second side (B) in the top (A) and frontal panel (C) by means of the tie-rods (Z) and wooden pins (V)

