
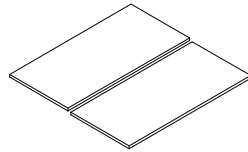
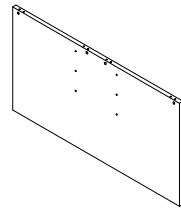
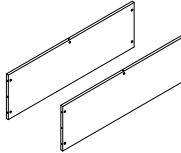











Ferramenta Hardware	Componenti Components		Piani (A) Tops (A)	Fianco condiviso (B) Intermediate side (B)	Traverse (C) Cross panels (C)			
Bullone 6x16 (M) 	Bolt 6x16 (M) n°8							
Distanziale (N) 	Spacer (N) n°6							
Bariotto 14x14 (O) 	Barrel 14x14 (O) n°14							
Piedini diam. 35 (P) 	Feet diam. 35 (P) n°2							
Grano 8x8 (Q) 	Threaded screw 8x8 (Q) n°14							
Spina 8x50 (S) 	Wooden pin 8x50 (S) n°4							
Spina 8x30 (T) 	Wooden pin 8x30 (T) n°4							
Tirante 7x53.5 (U) 	Tie-rod 7x53.5 (U) n°6							
Tirante 7x33.5 (V) 	Tie-rod 7x33.5 (V) n°8							
Chiave esagonale 	Hexagonal key n°1							

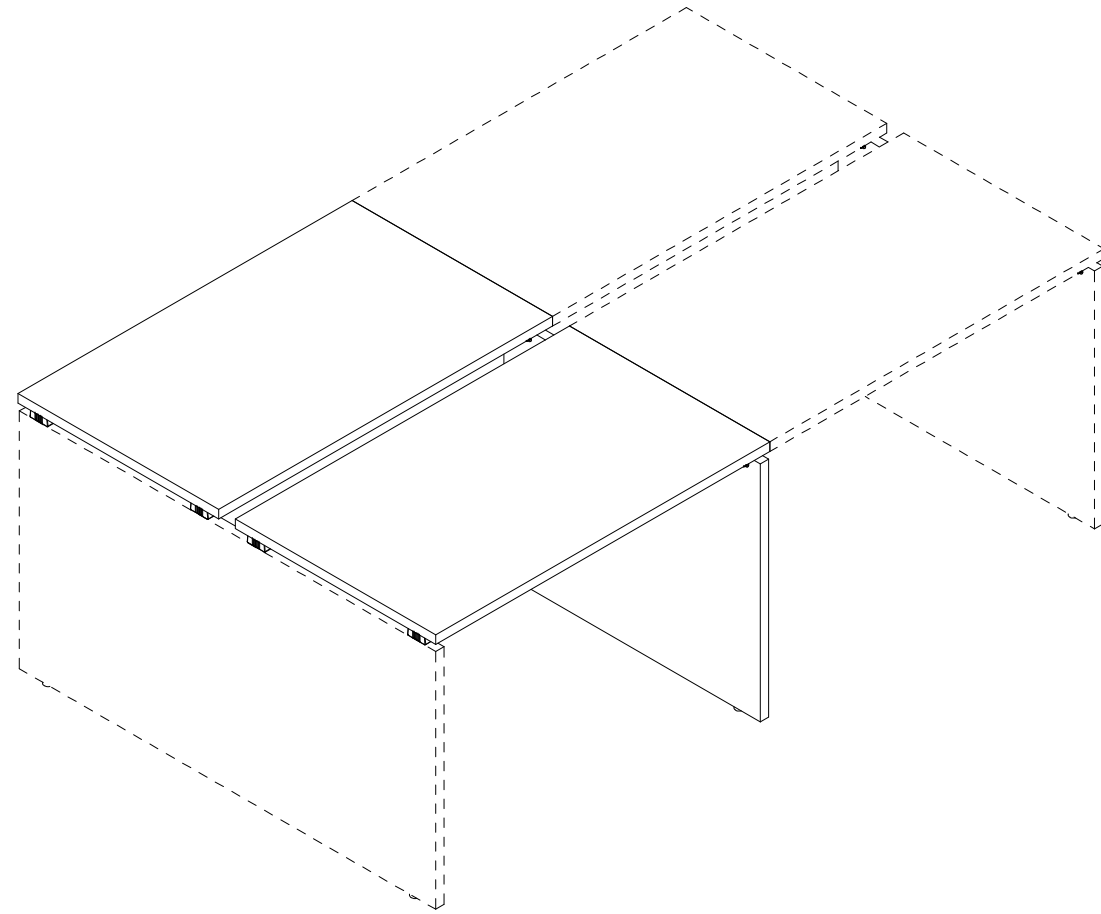
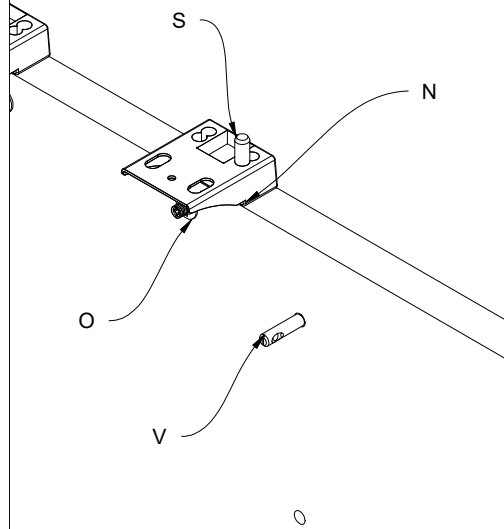
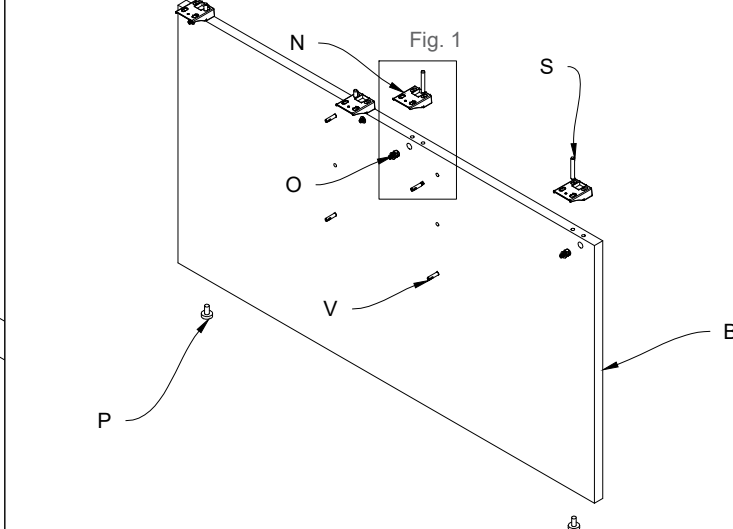


Fig.1 Inserimento barilotti (O), tiranti (V), spine (S) e distanziali (N).
 Fig.1 Insert the barrels (O), tie-rods (V), wooden pins (S) and spacers (N)



1) Posizionare i distanziali (N), tiranti (V), barilotti (O), spine(S) e i piedini (P), nelle gambe (B)
 1) Position the spacers (N), tie-rods (V), barrels (O), wooden pins (S) and feet (P) in the legs (B)



2) Posizionare i distanziali (N), barilotti (O) e spine(T) nelle traverse (C)
 2) Position the spacers (N), barrels (O) and wooden pins (T) in the cross panels

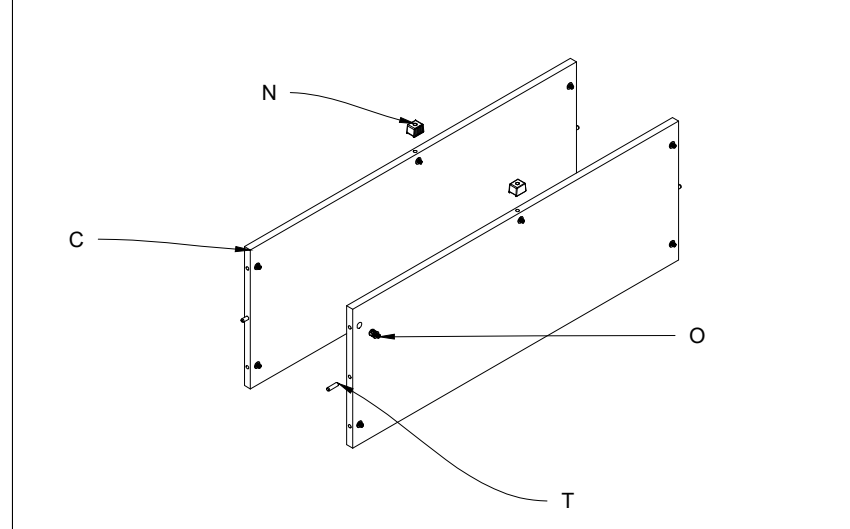
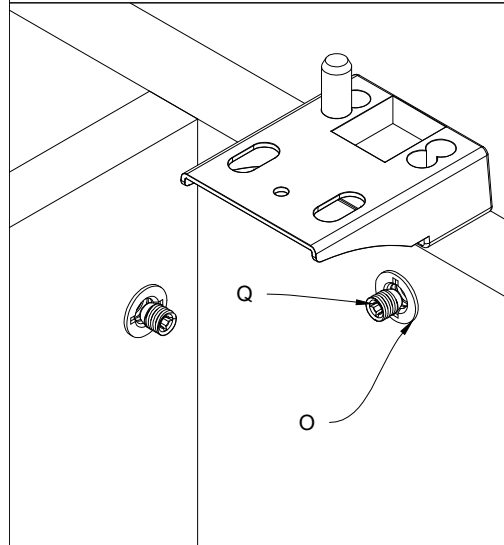


Fig.2 Serrare i grani (Q) nei barilotti (O)
 Fig.2 Tighten the threaded screws (Q) in the barrels (O)



3) Inserire le traverse (C) nei fianchi (B) tramite le spine (T)
 3) Insert the cross panels (C) in the sides (B) by means of the wooden pins (T)

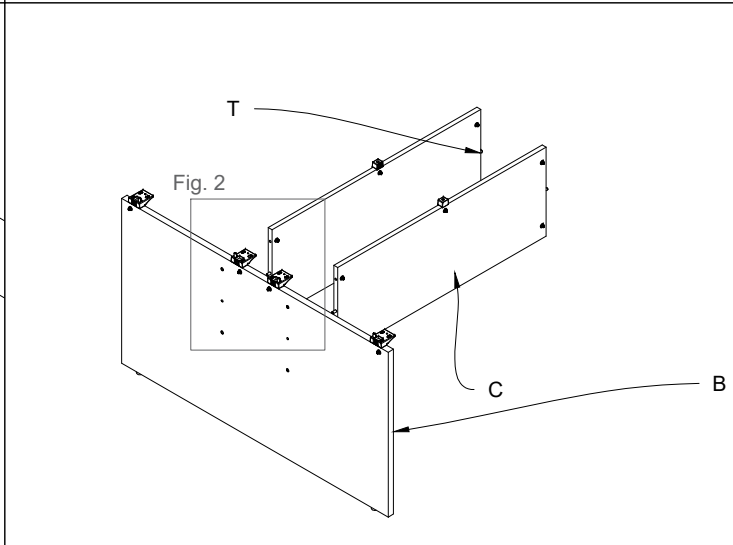


Fig.3 Unione del piano (A) alla struttura tramite i tiranti (U).
 Fig.3 Unite the top (A) to the structure by means of the tie-rods (U)

4) Unire il piano (A) alla struttura.
 4) Unite the top (A) to the structure

5) Separare un fianco esterno del bench autonomo e unire l'allungo bench con il bench autonomo tramite i tiranti .
 5) Separate the external side of the independent bench, unite the bench extension to the independent bench by means of the tie-rods (U)

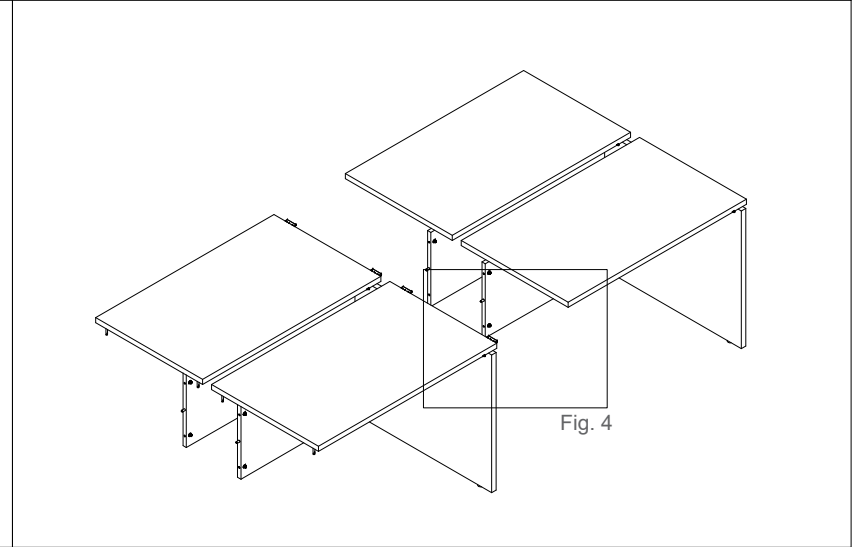
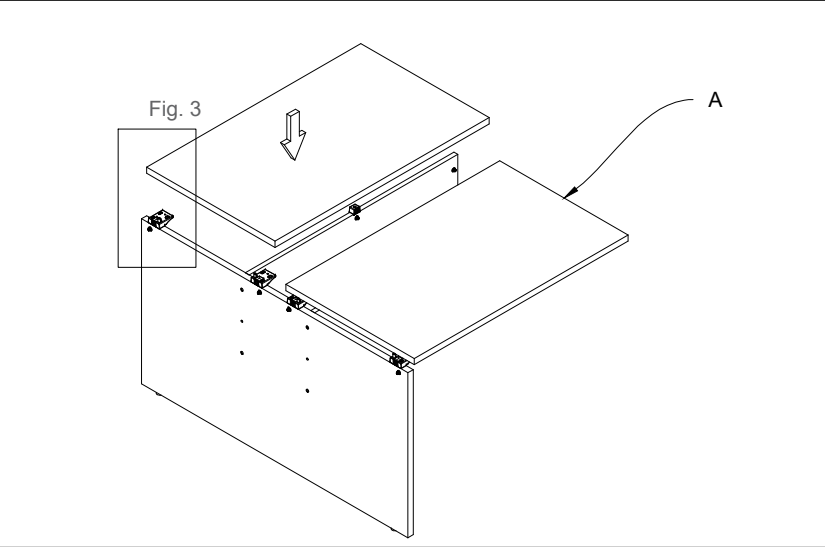
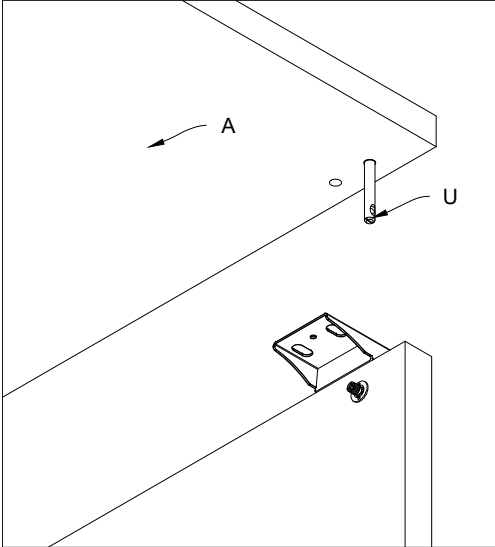


Fig.4 Unire i due piani tramite i distanziali (N) e i bulloni (M).
 Fig.4 Unite the two tops by means of the spacers (N) and bolts (M)

6) Unire il fianco finale del bench autonomo al bench aggiuntivo tramite i distanziali (N) tiranti (U) e spine (S).
 6) Unite the side of the independent bench to the bench extension by means of the spacers (N), tie-rods (U) and wooden pins (S)

