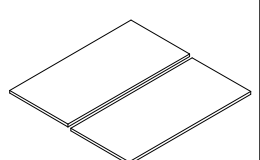
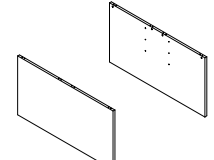
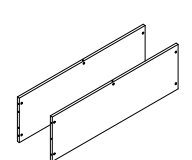










Ferramenta Hardware	Componenti Components	 Piani (A) Tops (A)	 Gambe (B) Legs (B)	 Traverse (C) Cross panels (C)			
Distanziale (N) Spacer (N)							
 n°10							
Barilotto 14x14 (O) Barrel 14x14 (O)							
 n°18							
Piedini diam. 35 (P) Feet diam. 35 (P)							
 n°4							
Grano 8x8 (Q) Threaded screw 8x8 (Q)							
 n°18							
Spina 8x50 (S) Wooden pin 8x50 (S)							
 n°8							
Spina 8x30 (T) Wooden pin 8x30 (T)							
 n°4							
Tirante 7x53.5 (U) Tie-rod 7x53.5 (U)							
 n°10							
Tirante 7x33.5 (V) Tie-rod 7x33.5 (V)							
 n°8							

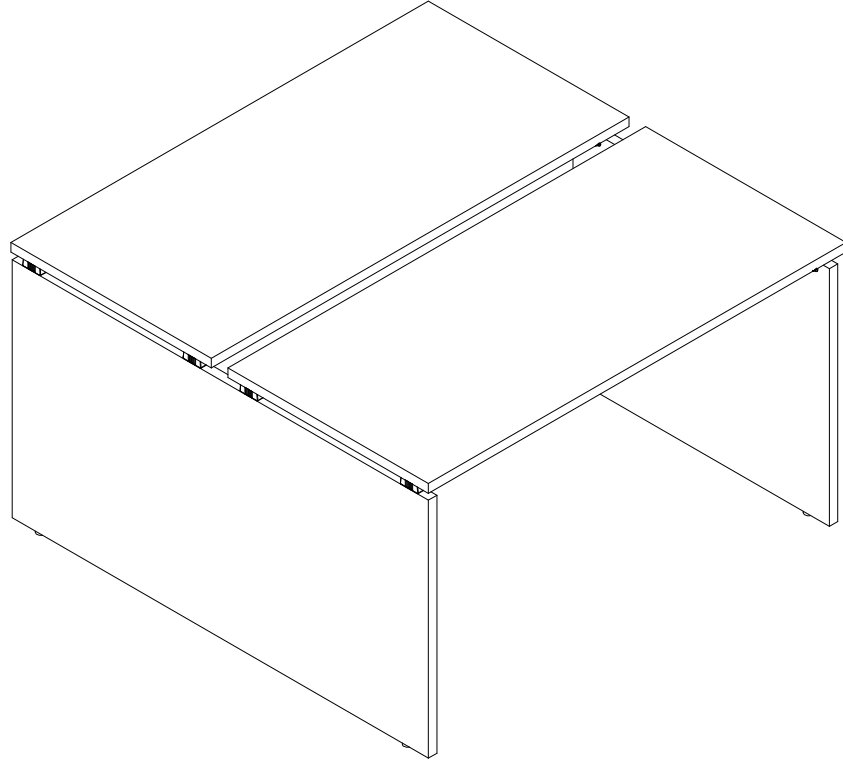


Fig.1 Inserimento barilotti (O), tiranti (V), spine (S) e distanziali (N).
 Fig.1 Insert the barrels (O), tie-rods (V), wooden pins (S) and spacers (N)

1) Posizionare i distanziali (N), tiranti (V), barilotti (O), spine(S) e i piedini (P), nelle gambe (B)
 1) Position the spacers (N), tie-rods (V), barrels (O), wooden pins (S) and feet (P) in the legs (B)

2) Posizionare i distanziali (N), barilotti (O) e spine(T) nelle traverse (C)
 2) Position the spacers (N), barrels (O) and wooden pins (T) in the cross panels

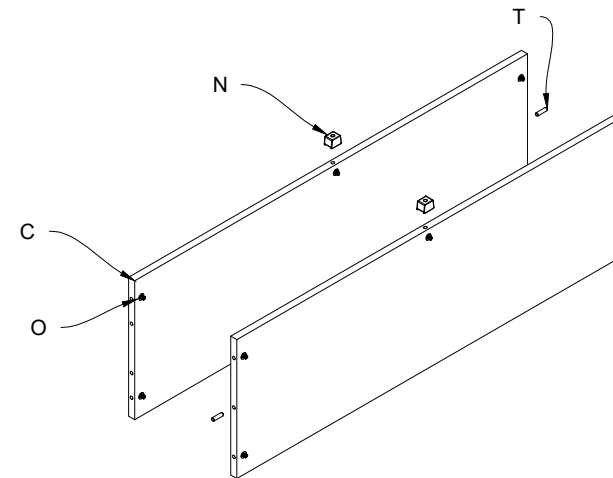
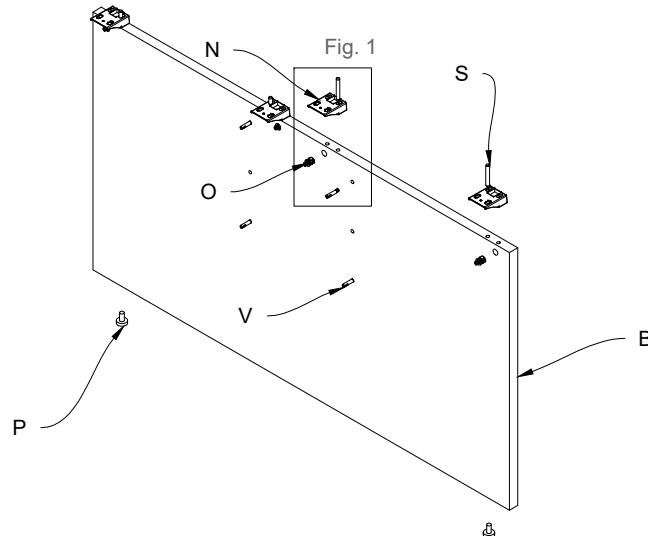
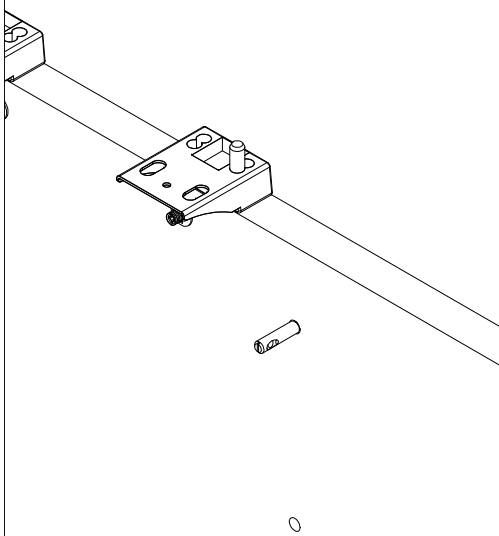


Fig.2 Serrare i grani (Q) nei barilotti (O)
 Fig.2 Tighten the threaded screws (Q) in the barrels (O)

3) Inserire le traverse (C) nei fianchi (B) tramite le spine (T) e i tiranti (V)
 3) Insert the cross panels (C) in the sides (B) by means of the wooden pins (T) and tie-rods (V)

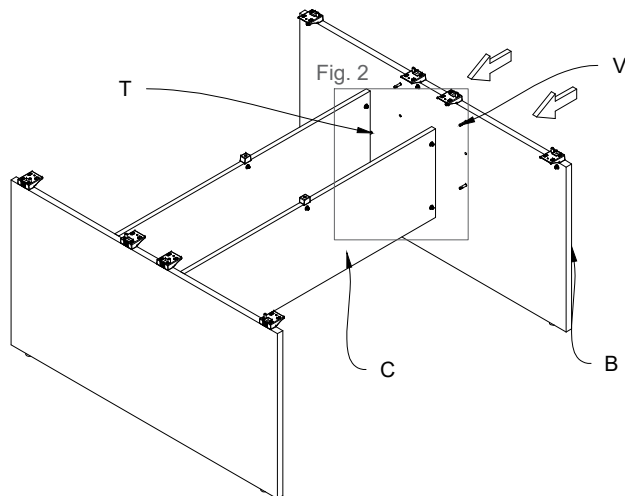
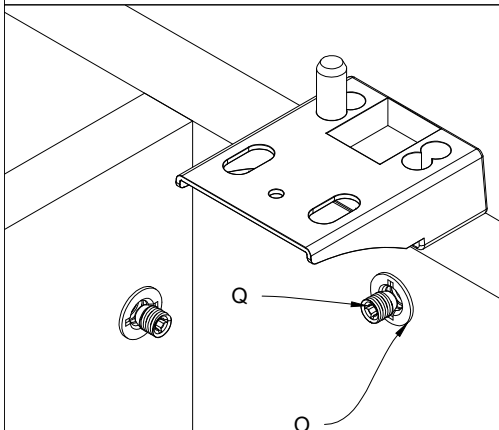


Fig.3 Unione del piano (A) alla struttura tramite i tiranti (U).
 Fig.3 Unite the top (A) to the structure by means of the tie-rods (U)

4) Unire il piano (A) alla struttura.
 4) Unite the top (A) to the structure

