


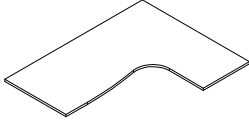
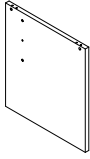
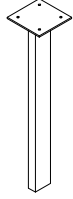
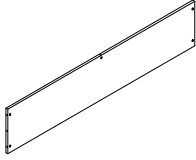




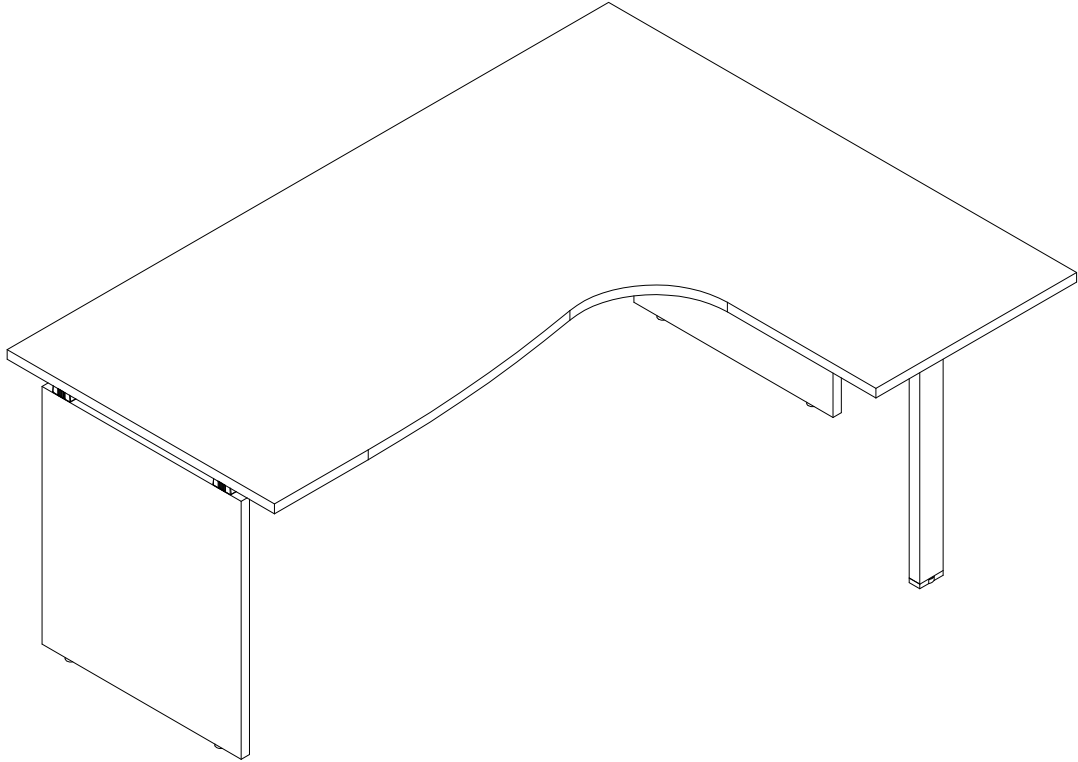







Ferramenta Hardware	Componenti Components		Piano (A) Top (A)		Fianco (B) Side (B)		Gambone autoportante (C) Self-bearing leg (C)		Traversa (D) Cross panel (D)
Dado (M) 	Nut (M) n°1								
Bullone 6x20 (N) 	Bolt 6x20 (N) n°4								
Piedino gambone (O) 	Self-bearing leg foot (O) n°1								
Spina in legno 8x50 (P) 	Wooden pin 8x50 (P) n°4	Chiave esagonale 	Hexagonal key n°1						
Tirante 7x53.5 (Q) 	Tie-rod 7x53.5 (Q) n°5								
Distanziali (R) 	Spacer (R) n°5								
Spina in legno 8x30 (S) 	Wooden pin 8x30 (S) n°2								
Piedini regolabili diam.=35 (T) 	Adjustable feet diam.=35 (T) n°4								
Barilotto 14x14 (U) 	Barrel 14x14 (U) n°9								
Tirante 7x33.5 (V) 	Tie-rod 7x33.5 (V) n°4								
Grano 8x8 (Z) 	Threaded screw 8x8 (Z) n°9								

Fig.1 Posizionare spine (P), barilotti(U),tiranti(V) e i distanziali (R) nei fianchi(B)
 Fig.1 Position the wooden pins (P), barrels (U), tie-rods (V) and spacers (R) in the sides (B)

1) Posizionare le spine (P), i barilotti (U), tiranti (V), distanziali (R) e piedini (T) nei fianchi (B).
 1) Position the wooden pins (P), barrels (U), tie-rods (V), spacers (R) and feet (T) in the sides (B)

2) Posizionare i barilotti (U) distanziali (R) e le spine (S) nella traversa (D).
 2) Position the barrels (U), spacers (R) and wooden pins (S) in the cross panel (D)

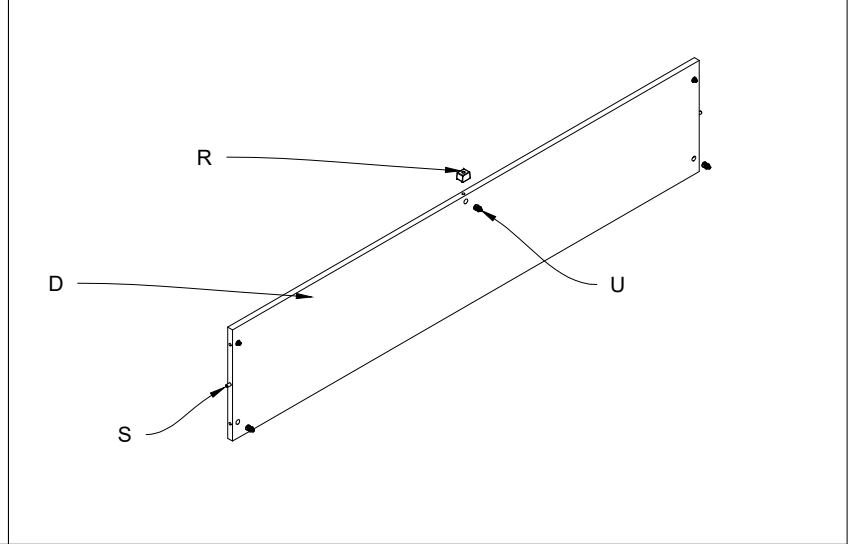
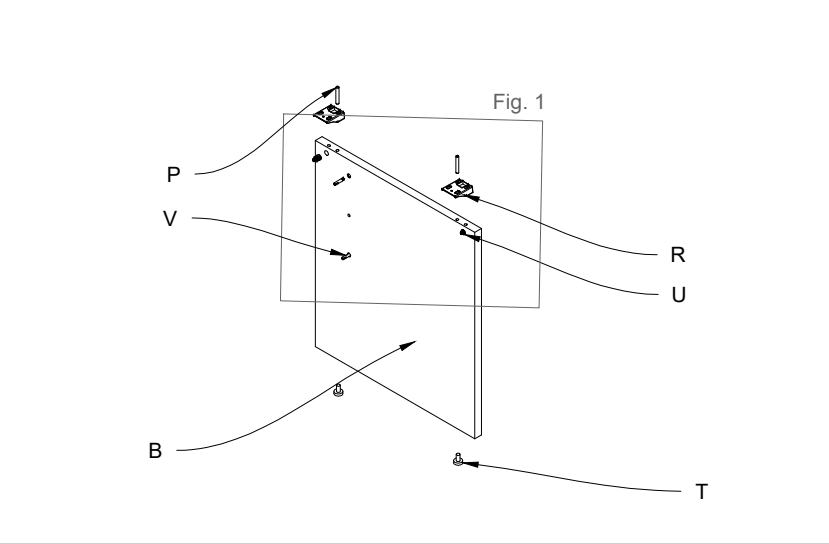
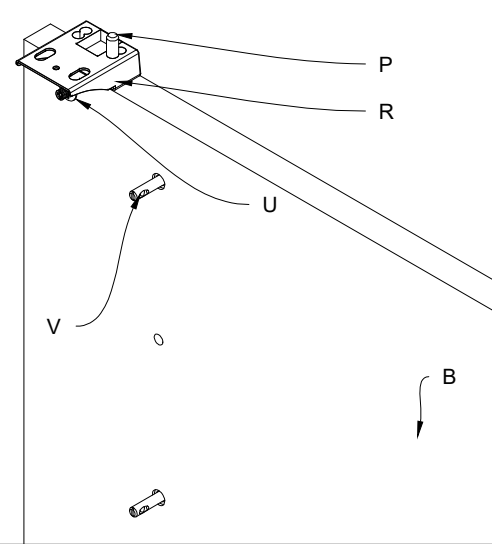


Fig.2 Posizionare i tiranti (Q) nel piano (A).
 Fig.2 Position the tie-rods (Q) in the top (A)

3) Unire i fianchi (B) alla traversa (D) tramite le spine (S) e i tiranti (V)
 3) Unite the sides (B) to the cross panel (D) by means of the wooden pins (S) and tie-rods (V)

4) Posizionare i tiranti (Q) nel piano (A).
 4) Position the tie-rods (Q) in the top (A)

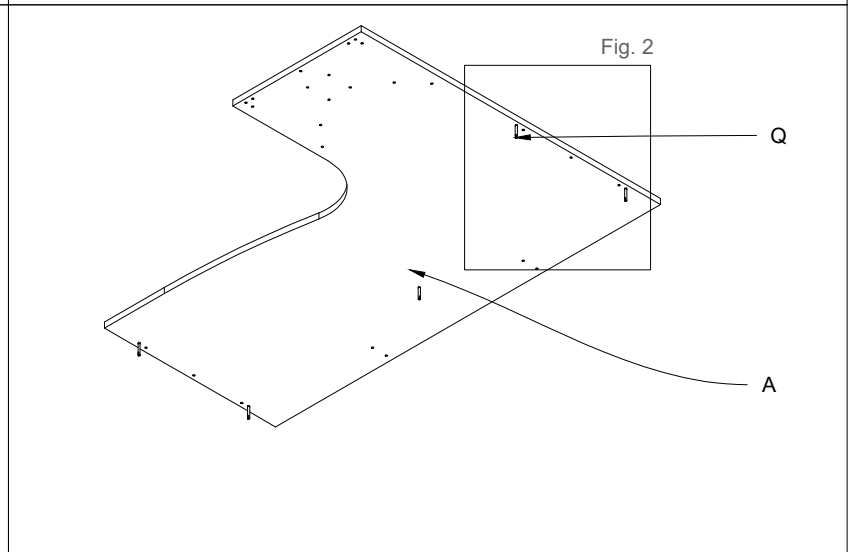
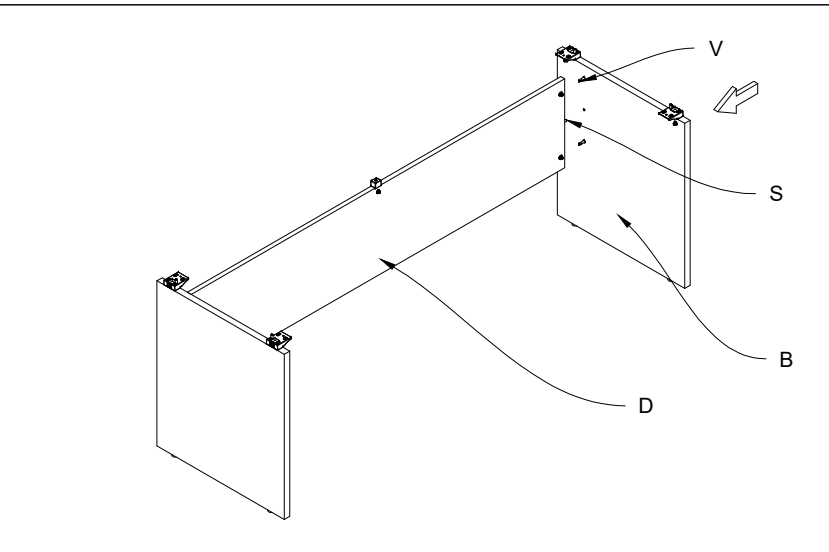
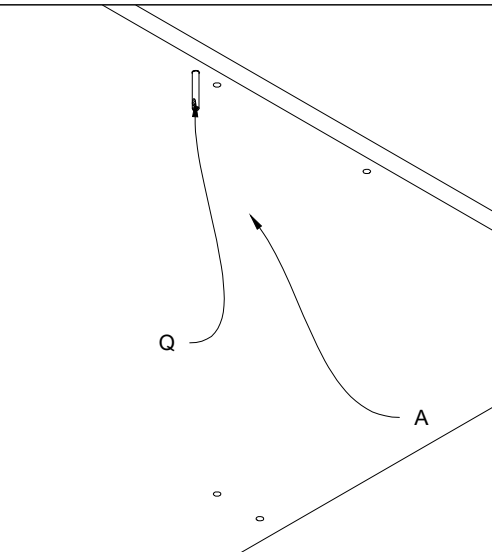


Fig.1 Serraggio grani (Z) nei barilotti (U)

Fig.1 Tighten the threaded screws (Z) in the barrels (U)

5) Inserire il piedino (O) nel gambone (C) tramite un dado (M)

5) Insert the foot (O) in the self-bearing leg (C) by means of the nut (M)

6) Serraggio grani (Z) nei barilotti (U)

6) Tighten the threaded screws (Z) in the barrels (U)

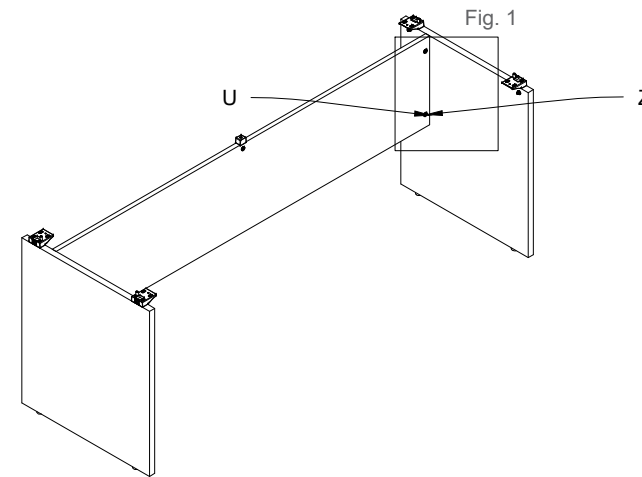
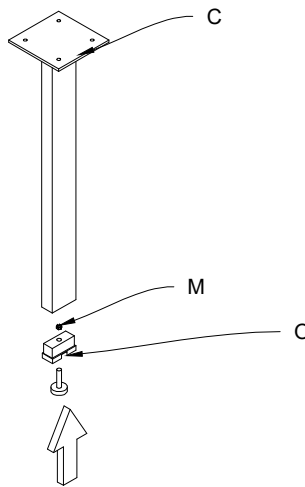
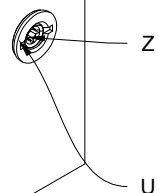


Fig.2 Serraggio bulloni (N).

Fig.2 Tighten the bolts (N)

7) Unire la struttura e il gambone (C) al piano (A) attraverso i tiranti (Q) e i bulloni (N).

7) Unite the structure and self-bearing leg (C) to the top (A) by means of tie-rods (Q) and bolts (N)

Fig.3 Serraggio grani (Z) nei barilotti (U)

Fig.3 Tighten the threaded screws (Z) in the barrels (U)

