
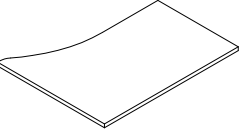
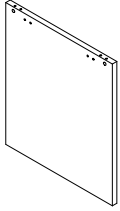











Ferramenta Hardware	Componenti Components		Piano (A) Top (A)		Fianco (B) Side (B)				
Bullone da 6x16 (O) 	Bolt 6x16 (O) n°16								
Spina in legno 8x30 (P) 	Wooden pin 8x30 (P) n°2								
Piedini regolabili (Q) 	Adjustable feet (Q) n°2								
Grano 8x8 (R) 	Threaded screw 8x8 (R) n°2								
Barilotto 14x14 (S) 	Barrel 14x14 (S) n°2								
Tirante 7x33.5 (T) 	Tie-rod 7x33.5 (T) n°2								
Staffa retta (U) 	Straight bracket (U) n°2								
Staffa a L (V) 	"L" shaped bracket (V) n°2								
Vite (Z) 	Screw (Z) n°8								
Chiave esagonale 	Hexagonal key n°1								

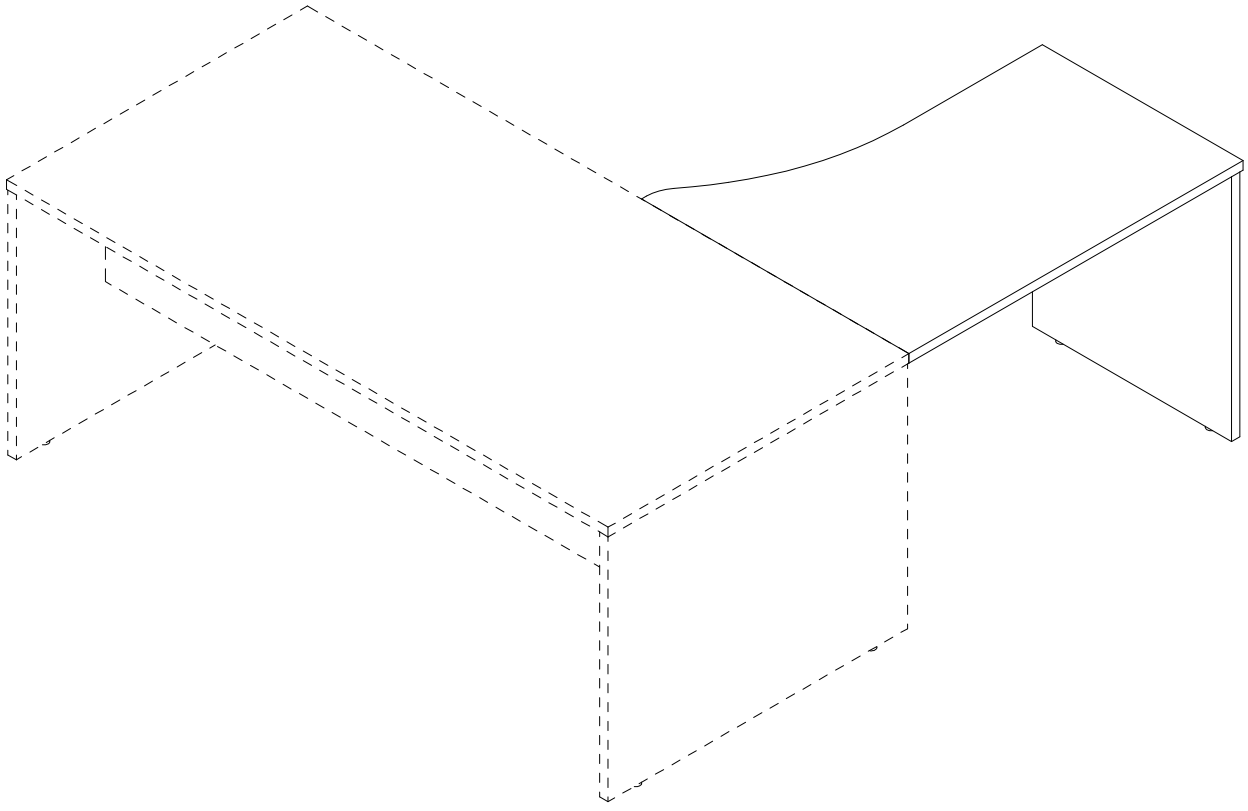
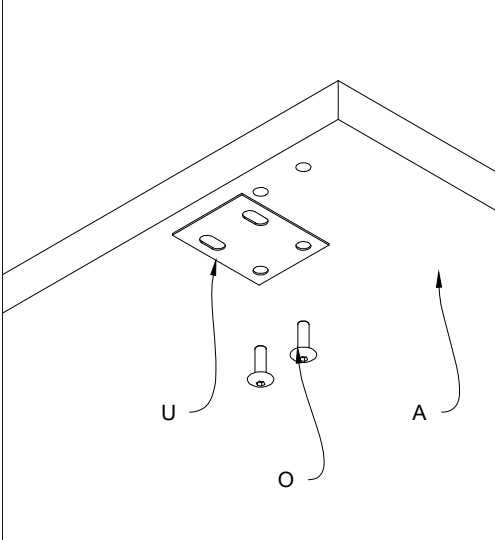
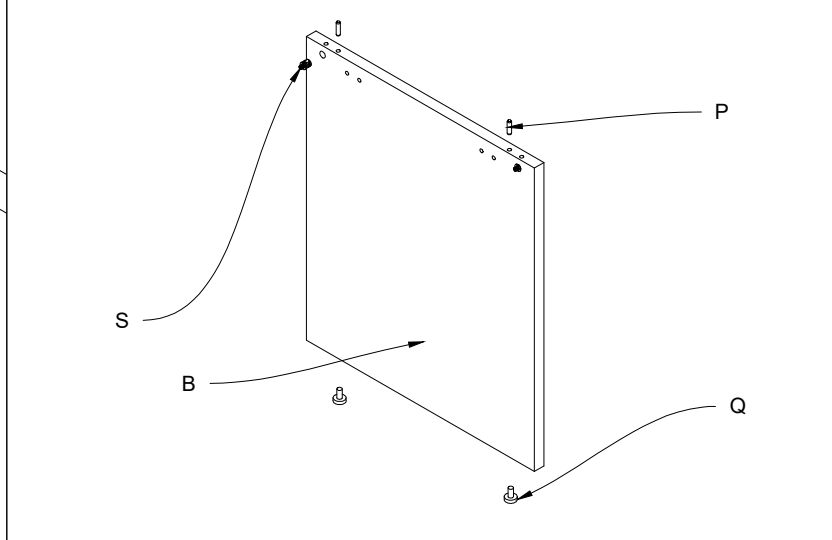


Fig.1 Inserire la staffa retta (U) nel piano (A) tramite i bulloni (O).
Fig.1 Insert the straight bracket (U) in the top (A) by means of the bolts (O).



1) Inserire i barilotti (S), le spine (P) e i piedini (Q) nel fianco (B).
1) Insert the barrels (S), wooden pins (P) and feet (Q) in the side (B)



2) Posizionare i tiranti (T) nel piano (A).
2) Position the tie-rods (T) in the top (A)

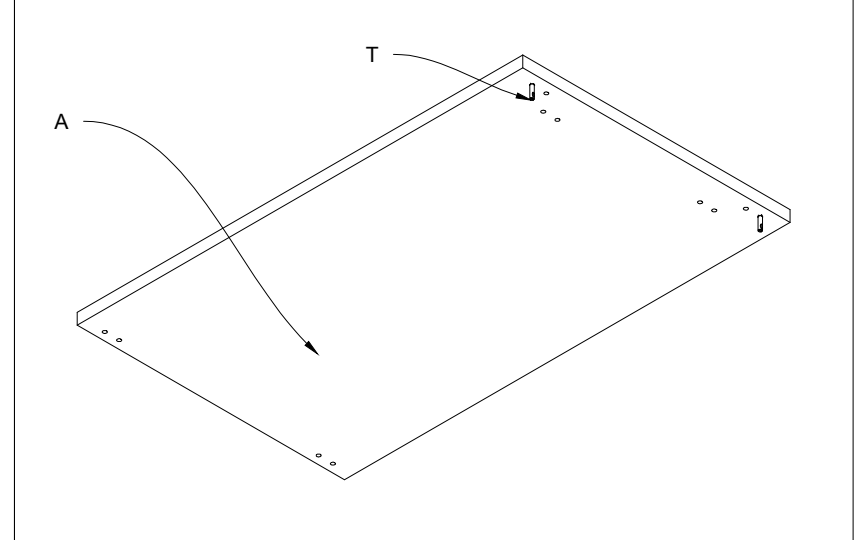
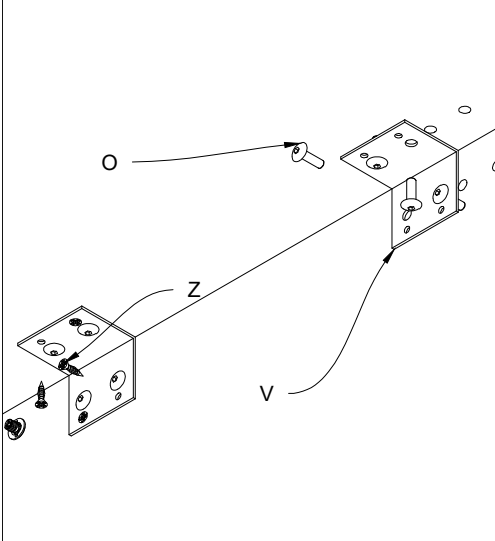
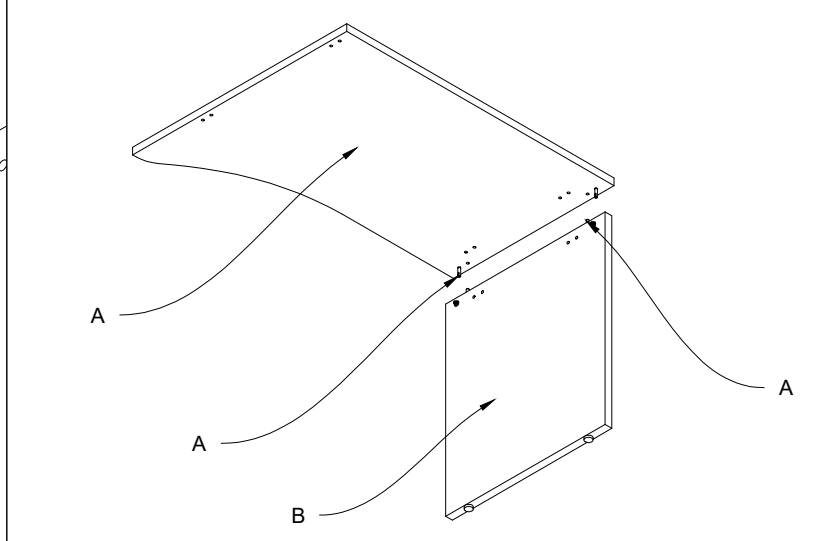


Fig.2 Inserire i bulloni (O) e le viti (Z) nella staffa (V) in corrispondenza dei fori
Fig.2 Insert the bolts (O) and screws (Z) in the L shaped bracket in function to the holes



3) Unire il piano (A) al fianco (B) tramite tiranti (T) e spine (P).
3) Unite the top (A) to the side (B) by means of the tie-rods (T) and wooden pins (P).



4) Inserire le staffe a L (V) sulla giunzione tra piano e fianco; e le staffe rette (U) nella scrivania tramite i bulloni (O) e le viti (Z).
4) Insert the L shaped brackets (V) on the junction between the top and side, insert the straight brackets (U) on the desk by means of the bolts (O) and screws (Z).

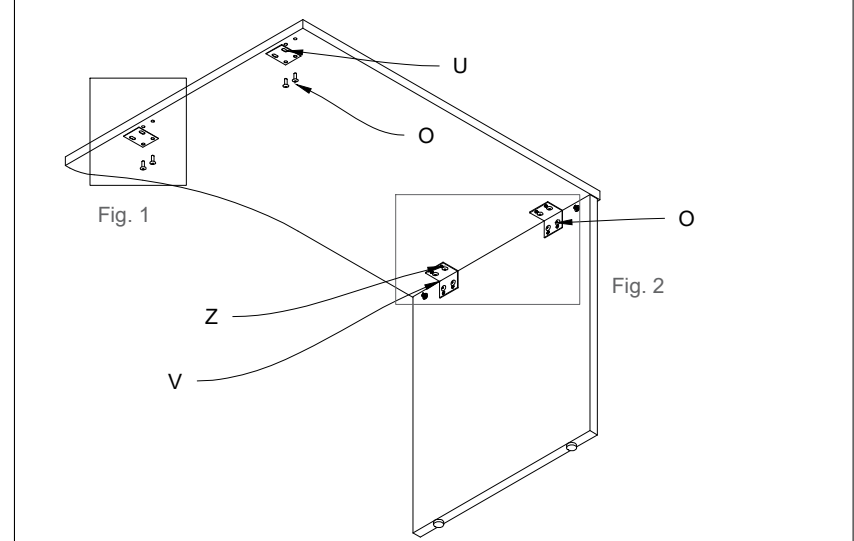
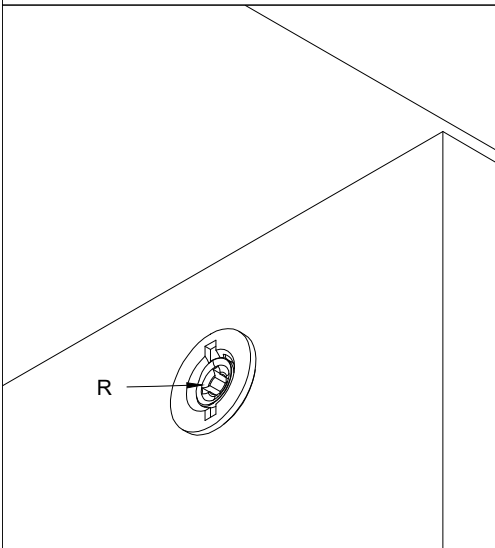


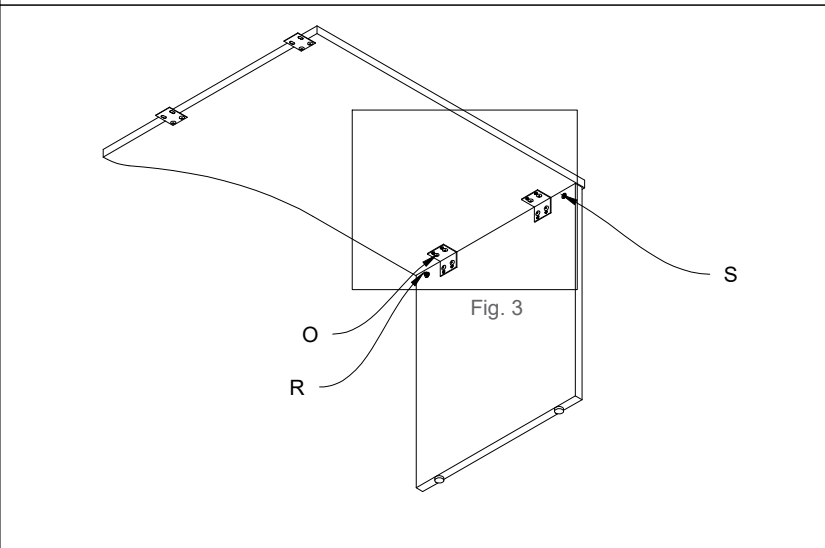
Fig.3 Serrare i grani (R)

Fig.3 Tighten the threaded screws (R)



5) Dopo aver serrato i bulloni (O) serrare i grani (R) nei barilotti (S)

5) Tighten the bolts (O) and threaded screws (R) in the barrels (S)



6) Unire l'appendice con la scrivania tramite le staffe rette (U)

6) Unite the return desk to the desk by means of the straight brackets (U)

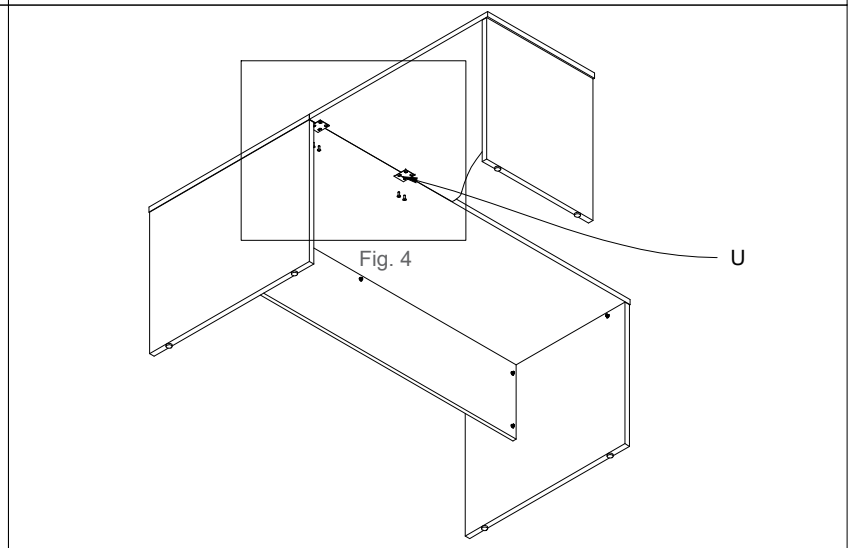


Fig.4 Serrare i bulloni (O) con le staffe (U) ed il piano

Fig.4 Tighten the bolts (O) to the brackets (U) and top

