
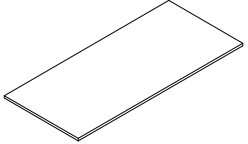
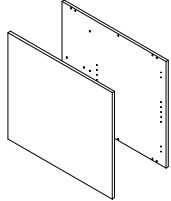
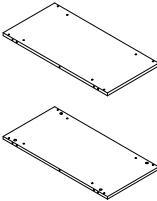
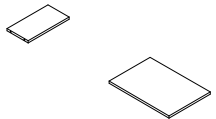

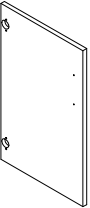
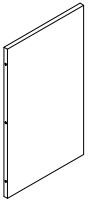
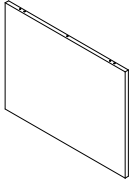
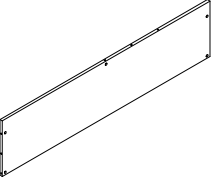



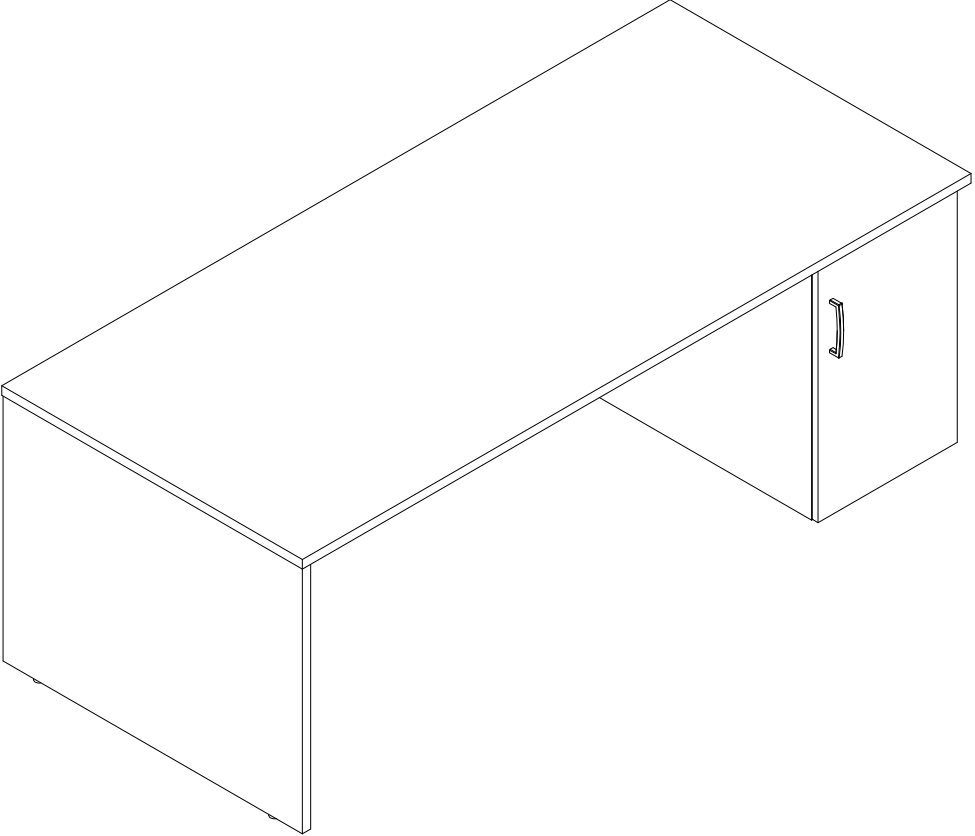








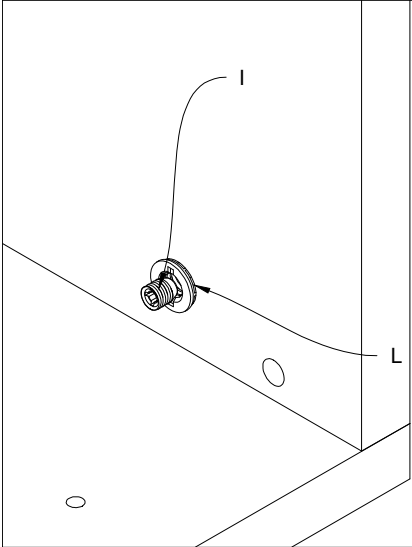


Ferramenta Hardware	Componenti Components								
Spine in legno 8x30 (G) 	Wooden pin 8x30 (G) <b>n°23</b>		Piano (A) Top (A)		Fianchi (B) Sides (B)		Base-cappello (C) Base-top (C)		Ripiani (D) Shelves (D)
Tirante 7x33.5 (H) 	Tie-rod 7x33.5 (H) <b>n°15</b>		Anta (E) Door (E)		Retro (F) Back panel (F)		Fianco (J) Side (J)		Traversa (K) Cross panel (K)
Grano 8x8 (I) 	Threaded screw 8x8 (I) <b>n°15</b>								
Barilotto 14x14 (L) 	Barrel 14x14 (L) <b>n°15</b>	Piedini regolabili diam.=35 (U) Adjustable feet diam.=35 (U) 	<b>n°6</b>						
Basetta (M) 	Hinge base (M) <b>n°2</b>	Chiave esagonale Hexagonal key 	<b>n°1</b>						
Cerniera (N) 	Hinge (N) <b>n°2</b>								
Reggipiano (O) 	Shelf support (O) <b>n°4</b>								
Bullone 4x25 (P) 	Bolt 4x25 (P) <b>n°2</b>								
Maniglia (Q) 	Handle (Q) <b>n°1</b>								
Vite 4x16 (R) 	Screw 4x16 (R) <b>n°4</b>								
Bullone da 6x28 (T) 	Bolt 6x28 (T) <b>n°4</b>								

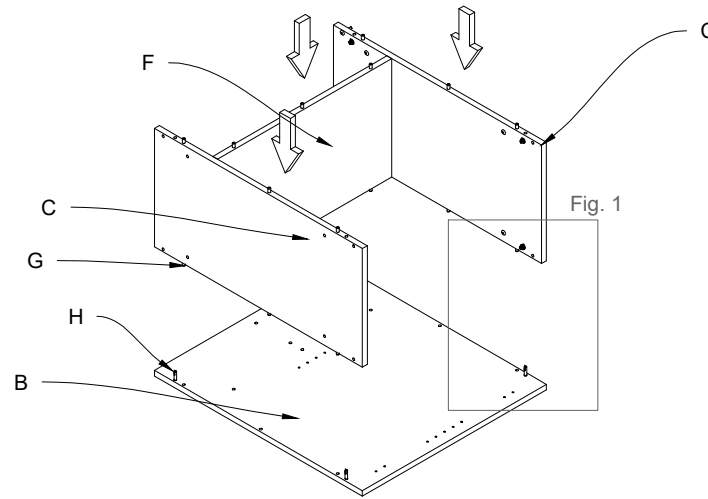
**Fig.1 Serrare i grani (I) nei barilotti (L).**

Fig.1 Tighten the threaded screws (I) in the barrels (L).



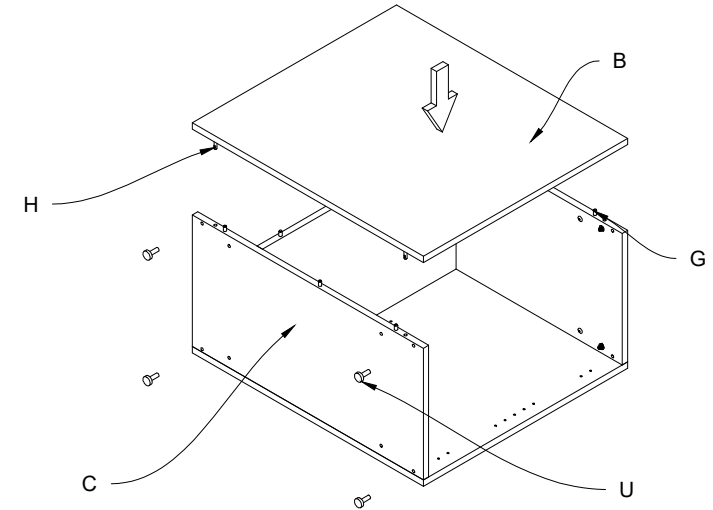
**1) Unire base e cappello (C) al retro (F) tramite le spine (G) e tiranti (H) nel fianco (B).**

1) Unite the base and top (C) to the back panel (F) by means of the wooden pins (G) and tie-rods (H) in the side (B).

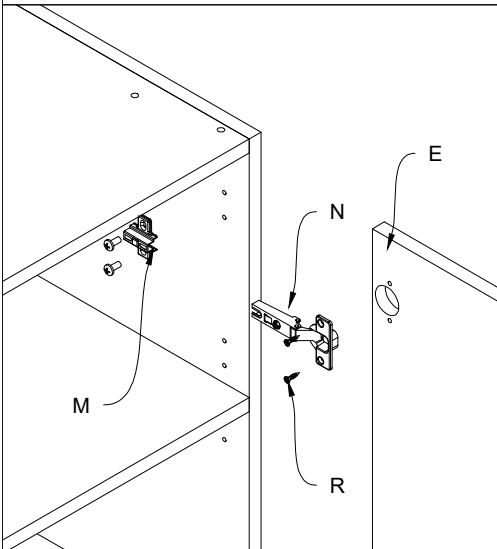


**3) Inserire il fianco (B) nella struttura tramite tiranti (H) e spine (G) ed inserire i piedini (U) nella base (C)**

3) Insert the side (B) in the structure by means of the tie-rods (H) and wooden pins (G), insert the feet (U) in the base (C).

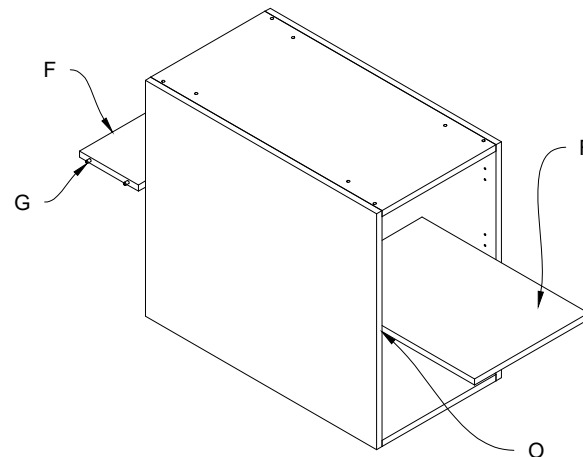


**Fig.2 Inserire le basette (M) e le cerniere (N) nell'anta (E) tramite le viti (R).**  
 Fig.2 Insert the base hinges (M) and hinges (N) in the door (E) by means of the screws (R).



**5) Posizionare verticalmente la cassa, inserire i due ripiani (F) con i reggipiani (O) e le spine (G).**

5) Position the cabinet vertically and insert the two shelves (F) by means of the shelf supports (O) and wooden pins (G).



**6) Inserire l'anta (E) e la maniglia (Q) tramite i bulloni (P).**

6) Insert the door (E) and handle (Q) by means of the bolts (P).

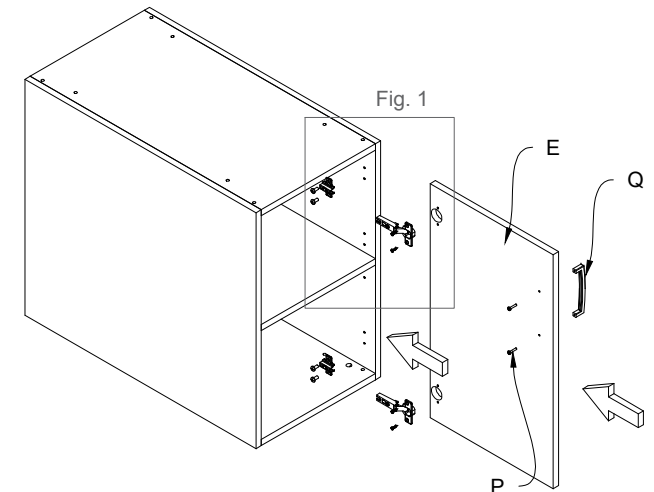
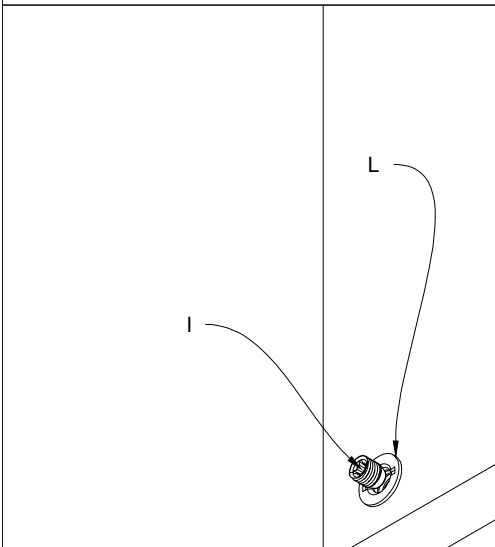


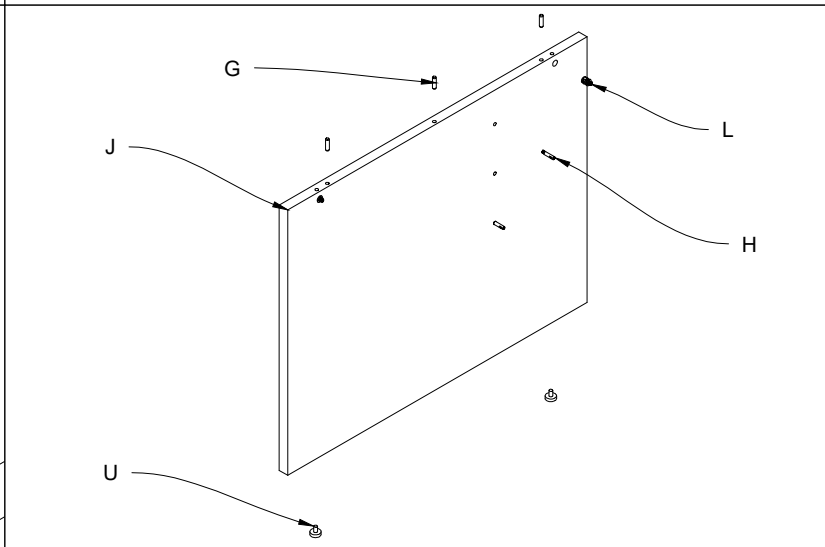
Fig.1 Serrare i grani (I) nei barilotti (L).

Fig.1 Tighten the threaded screws (I) in the barrels (L).



7) Posizionare le spine (G), barilotti (L), tiranti (H) e piedini (U) nel fianco (J).

7) Position the wooden pins (G), barrels (L), tie-rods (H) and feet (U) in the side (J).



8) Inserire la traversa (K) nel fianco (J) tramite le spine (G) e i tiranti (H).

8) Insert the cross panel (K) in the side (J) by means of the wooden pins (G) and tie-rods (H).

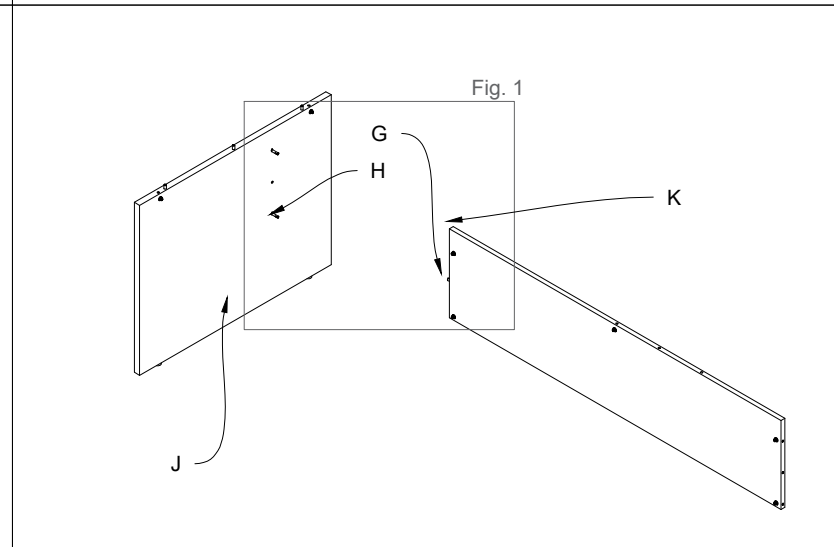
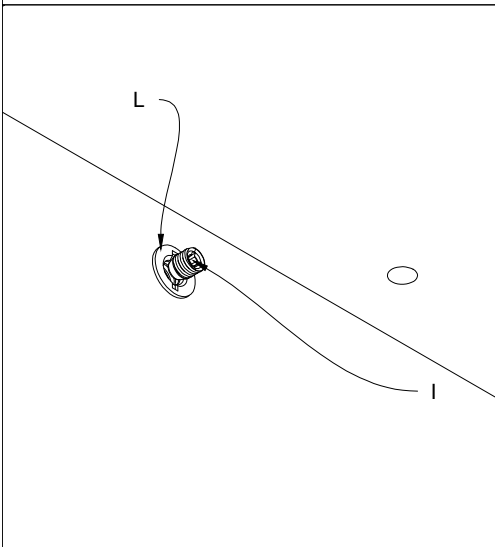


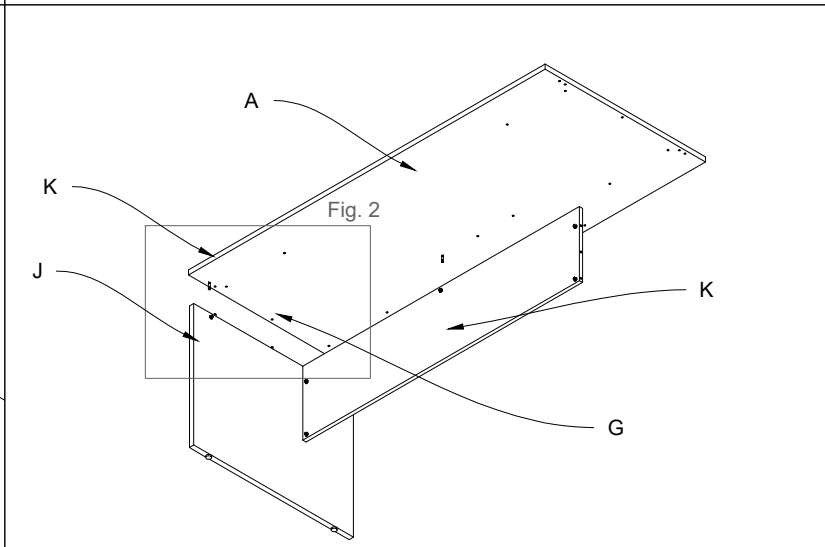
Fig.2 Serrare i grani (I) nei barilotti (L).

Fig.2 Tighten the threaded screws (I) in the barrels (L).



9) Unire il piano (A) alla traversa (K) e al fianco (J) tramite le spine (G) e i tiranti (H).

9) Unite the top (A) to the cross panel (K) and side (J) by means of the wooden pins (G) and tie-rods (H).



10) Unire la scrivania al mobile portante tramite i bulloni (T)

10) Unite the desk to the structural cabinet by means of the bolts (T).

