
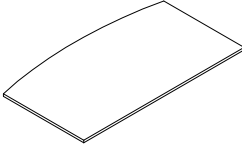
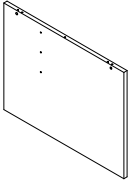
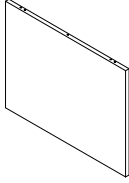
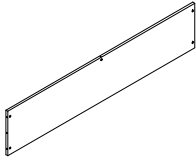



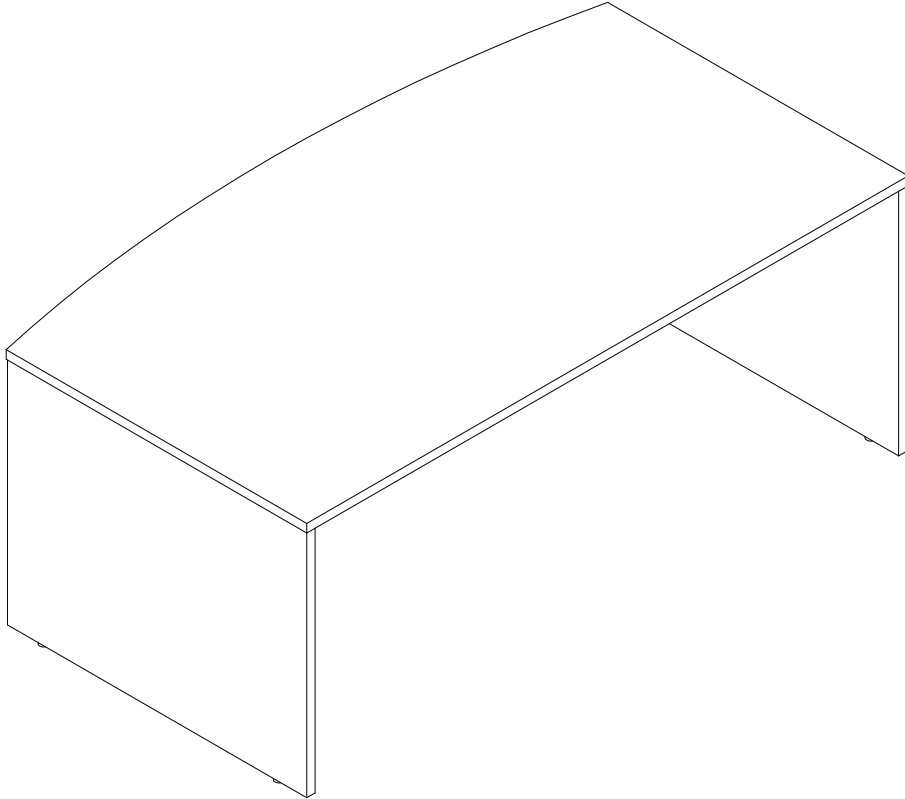


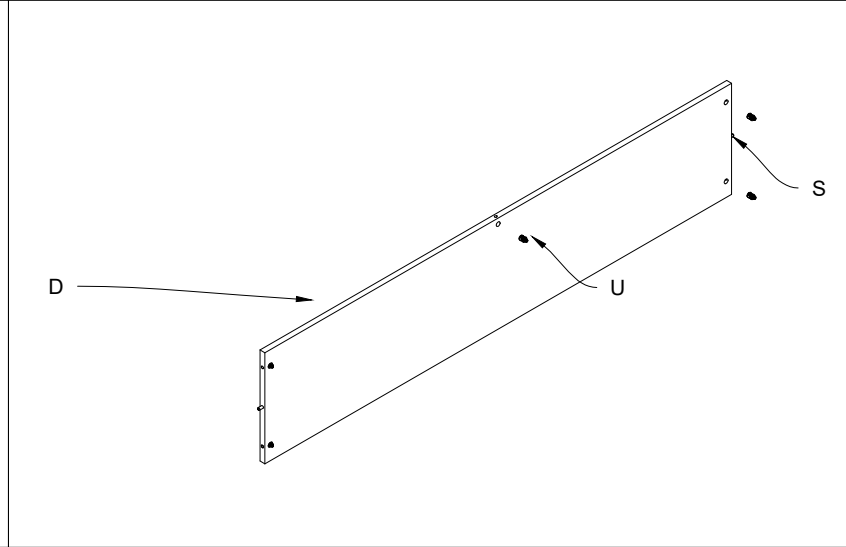
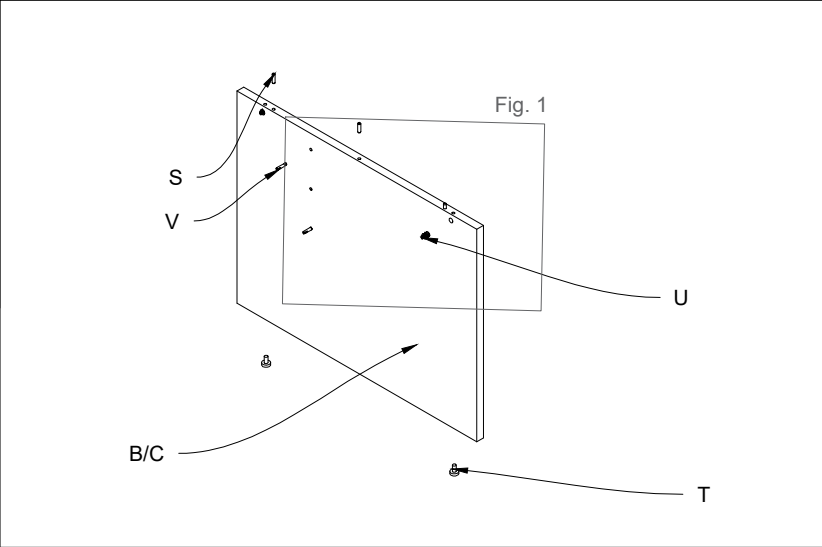
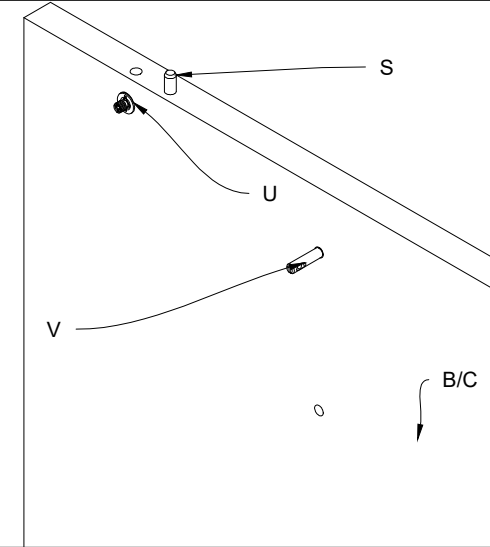


Ferramenta Hardware	Componenti Components								
Spina in legno 8x30 (S) 	Wooden pin 8x30 (S) <b>n°8</b>		Piano (A) Top (A)		Fianco DX (B) R side (B)		Fianco SX (C) L side (C)		Traversa (D) Cross panel (D)
Piedini regolabili diam.=35 (T) 	Adjustable feet diam.=35 (T) <b>n°4</b>								
Barilotto 14x14 (U) 	Barrel 14x14 (U) <b>n°9</b>								
Tirante 7x33.5 (V) 	Tie-rod 7x33.5 (V) <b>n°9</b>								
Grano 8x8 (Z) 	Threaded screw 8x8 (Z) <b>n°9</b>								
Chiave esagonale 	Hexagonal key <b>n°1</b>								

**Fig.1 Posizionare spine (S), barilotti(U),tiranti(V) nei fianchi(B e C)**  
**Fig.1 Position the pins (S), barrels (U) and tie-rods (V) in the sides (B and C)**

**1) Posizionare le spine (S), i barilotti (U) e piedini (T) nei fianchi (B e C).**  
**1) Position the pins (S), barrels (U) and feet (T) in the sides (B and C)**

**2) Posizionare i barilotti (U) e le spine (S) nella traversa (D).**  
**2) Position the barrels (U) and the pins (S) in the cross panel (D)**



**Fig.2 Posizionare i tiranti (V) nel piano (A).**  
**Fig.2 Position the tie-rods (V) in the top (A)**

**4) Unire i fianchi ( B e C) alla traversa (D) tramite le spine (S) e i tiranti (V)**  
**4) Unite the sides (B and C) to the cross panel (D) by means of the pins (S) and tie-rods (V)**

**3) Posizionare i tiranti (V) nel piano (A).**  
**3) Position the tie-rods (V) in the top (A)**

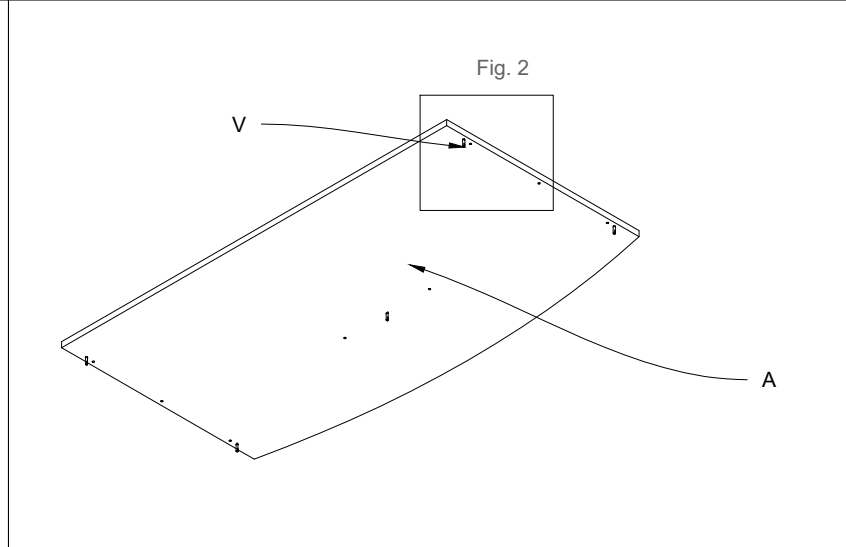
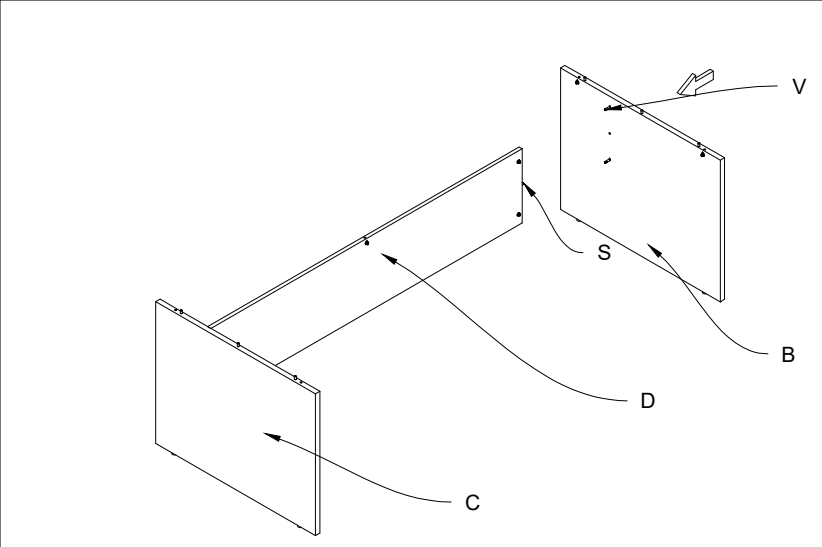
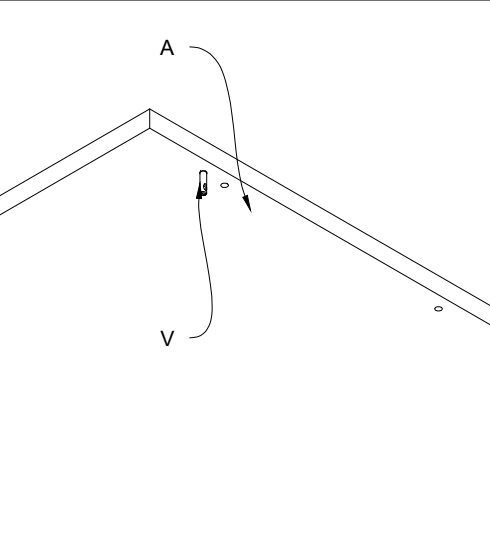
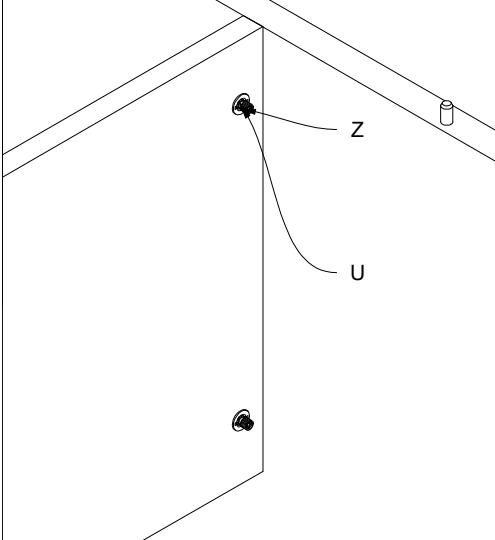
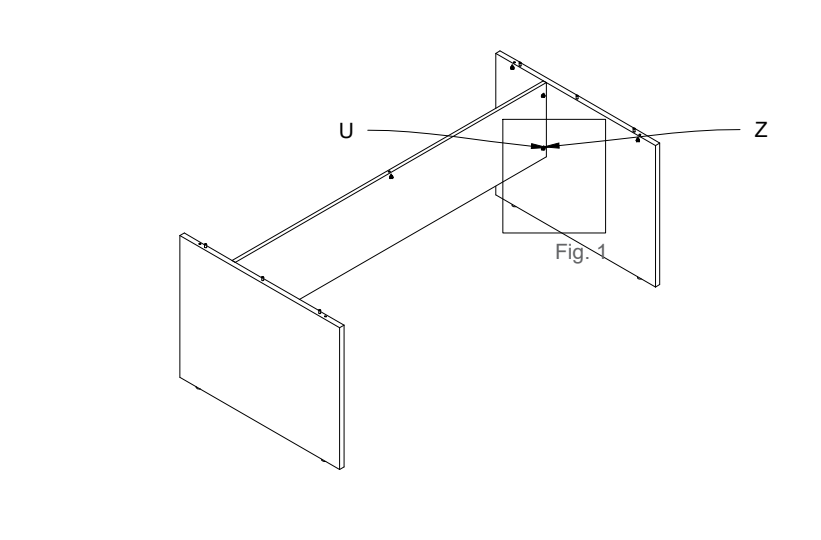


Fig.1 Serraggio grani (Z) nei barilotti (U)  
 Fig.1 Tighten the treaded screws (Z) in the barrels (U)



5) Serraggio grani (Z) nei barilotti (U)  
 5) Tighten the treaded screws (Z) in the barrels (U)



6) Posizionare il Piano (A), sopra la struttura e agganciarlo tramite le spine (S) e i tiranti (V)  
 6) Position the top (A) on top of structure and fasten it by means of the pins (S) and tie-rods (V)

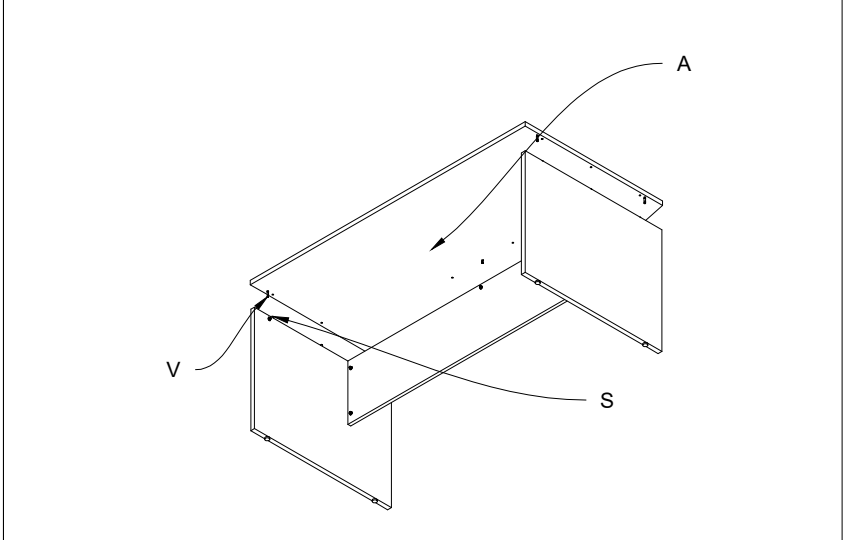
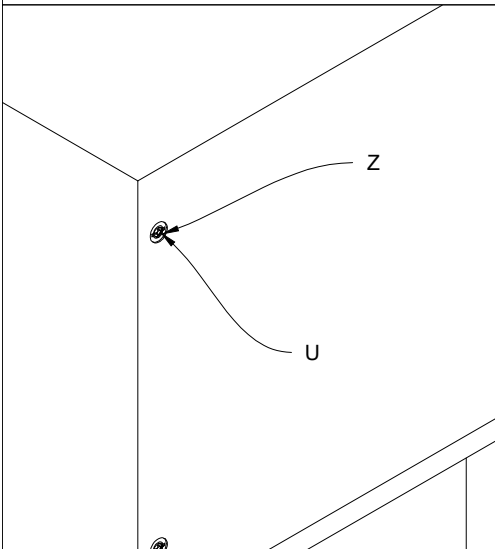


Fig.2 Serraggio grani (Z) nei barilotti (U)  
 Fig.2 Tighten the treaded screws (Z) in the barrels (U)



7) Serraggio grani (Z) nei barilotti (U)  
 7) Tighten the treaded screws (Z) in the barrels (U)

