
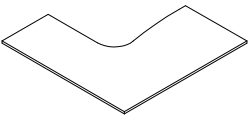
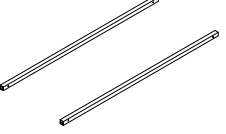
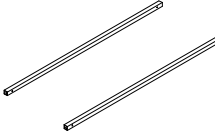


Ferramenta Hardware	Componenti Components	Piano (A) Top (A)		Gambe (B) Legs (B)	Travi (C) Crossbars (C)	Mobile con anta (D) Furniture unit with door (D)
Chiave esagonale Hexagonal key	n°1					
Basetta (F) Hinge base (F)	n°2					
Cerniere (G) Hinges (G)	n°2					
Viti (H) Screws (H)	n°6	Piedini diam. 35 (P) Feet diam. 35 (P)	n°4	Bullone 6x60 (Z) Bolt 6x60 (Z)	n°4	
Barilotto 14x14 (I) Barrel 14x14 (I)	n°8	Rondella sp.16 (Q) Washer sp.16 (Q)	n°4	Spine 8x30 (&) Wooden pin 8x30 (&)	n°18	
Tirante 7x33.5 (J) Tie-rod 7x33.5 (J)	n°8	Dado 6 MA (S) Nut 6 MA (S)	n°4	Reggipiano (#) Shelf support (#)	n°4	
Grano 8x8(K) Threaded screw 8x8 (K)	n°8	Bullone 6x16 (T) Bolt 6x16 (T)	n°4	Serratura (@) Lock (@)	n°1	
Maniglia (L) Handle (L)	n°1	Bullone 6x20 (U) Bolt 6x20 (U)	n°24			
Bullone 4x25 (M) Bolt 4x25 (M)	n°2	Bullone 6x45 (V) Bolt 6x45 (V)	n°4			
Distanziale (N) Spacer (N)	n°4	Bullone 6x30 (X) Bolt 6x30 (X)	n°4			
Paracolpo (O) Strut (O)	n°4	Piedini diam. 25 (Y) Feet diam. 25 (Y)	n°4			

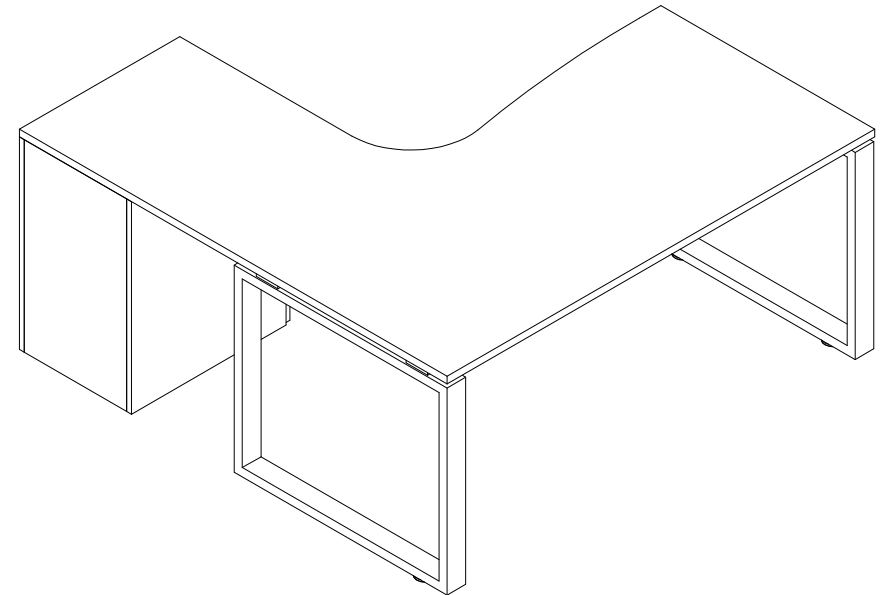
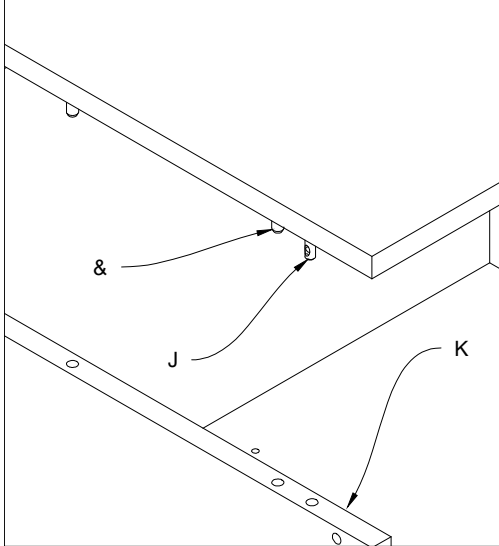
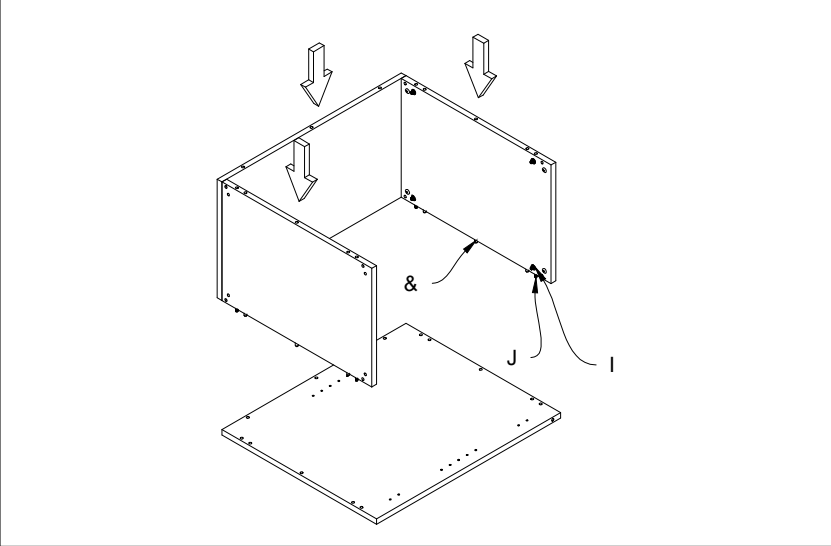


Fig.1 Unire fianco e base con spine (&), tiranti (J) e serrare i grani (K).
 Fig.1 Unite the side and base by means of the wooden pins (&), tie-rods (J) and tighten the threaded screws (K).



1) Posizionare un fianco a terra e inserire base, cappello e retro tramite le spine (&), i tiranti (J) e i barilotti (I).
 1) Position one side on the floor and insert the base, top and back panel by means of the wooden pins (&), tie-rods (J) and barrels (I).



2) Inserire i piedini (Y) nella base e il secondo fianco tramite le spine (&) e i tiranti (J).
 2) Insert the feet (Y) in the base and the second side by means of the wooden pins (&) and tie-rods (J).

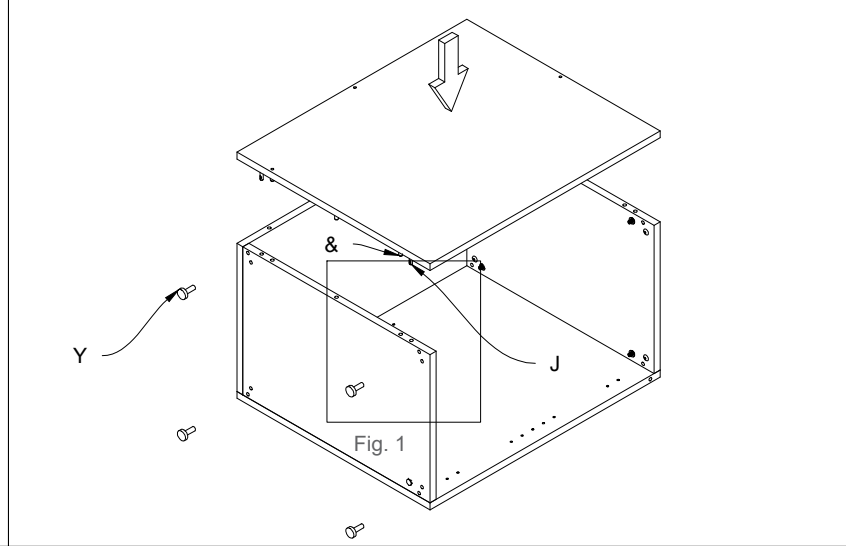
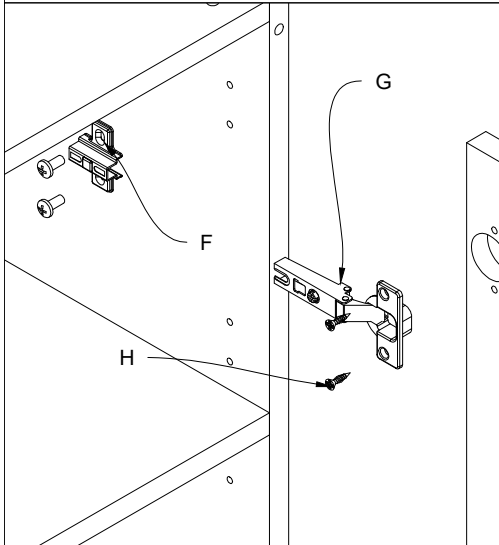
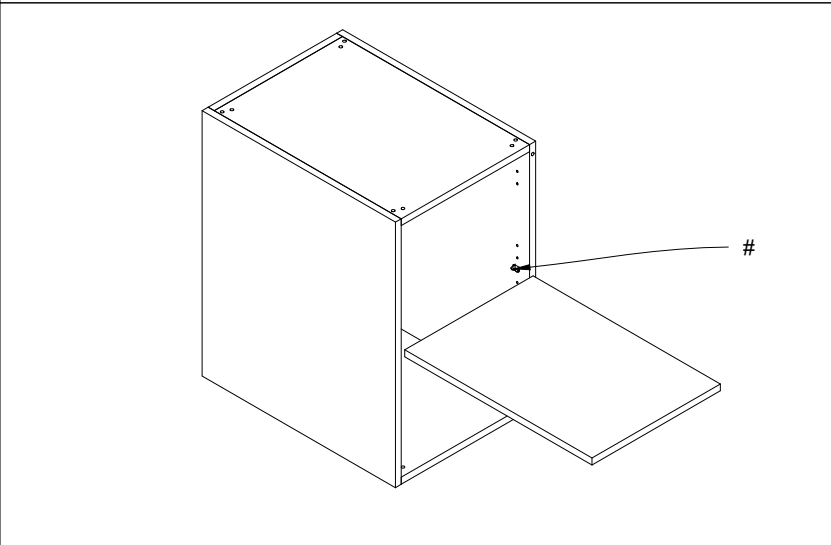


Fig.2 Fissare le cerniere (G) all'anta tramite le viti (H) e unirle alle basette (F)
 Fig.2 Fasten the hinges (G) to the door by means of the screws (H), unite them to the hinge bases (F).



3) Inserire il ripano con i reggipiani (#).
 3) Insert the shelf with the shelf supports (#).



4) Fissare l'anta tramite le basette (F) e le cerniere (G) e inserire la maniglia (L) e la serratura (@) tramite i bulloni (M).
 4) Fasten the door by means of the hinge bases (F) and hinges (G), insert the handle (L) and lock (@) by means of the bolts (M).

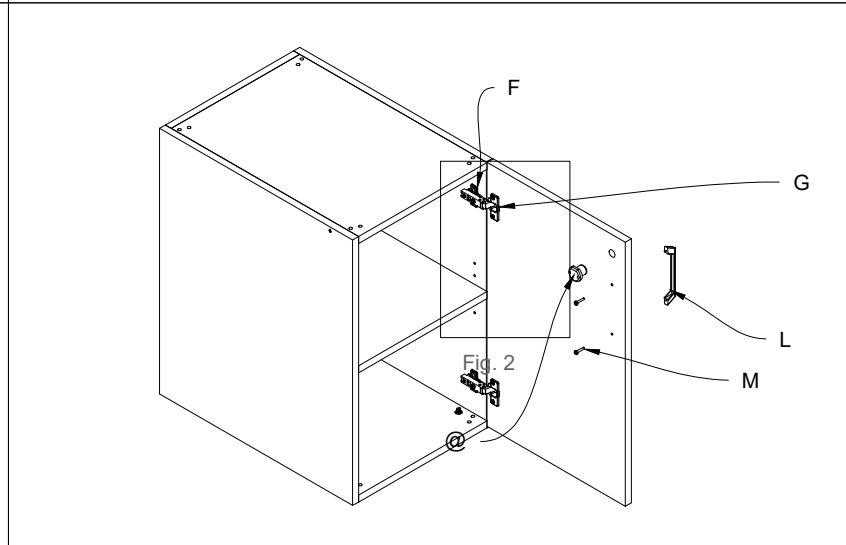


Fig.1 Fissare i distanziali (N) nella gamba (B) tramite i bulloni (U)
Fig.1 Fasten the spacers (N) in the leg (B) by means of the bolts (U)

6) Posizionare i distanziali (N) e i piedini (P), nelle gambe (B)
6) Position the spacers (N) and the feet (P) in the legs (B)

6) Posizionare le travi (C) nei distanziali (N) delle gambe (B) e inserire i paracolpi (O).
6) Position the crossbars (C) in the spacers (N) of the legs (B), insert the struts (O).

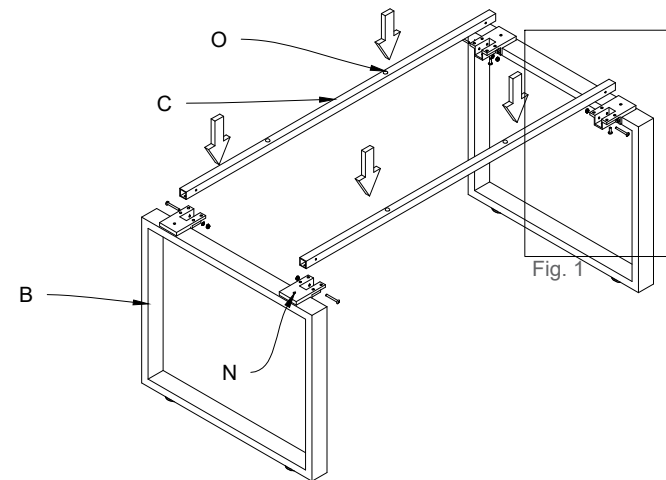
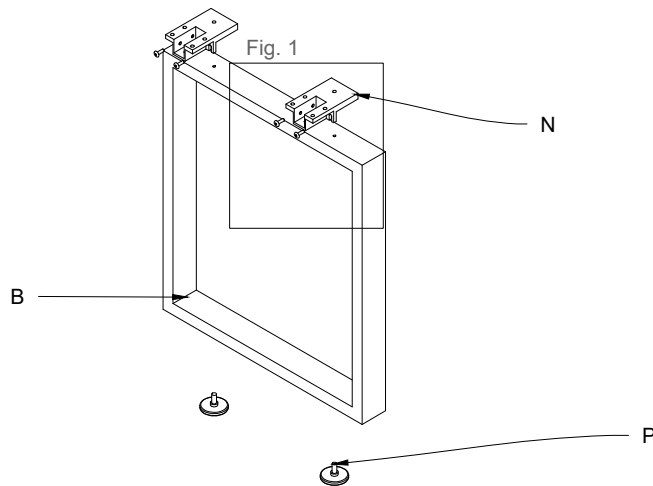
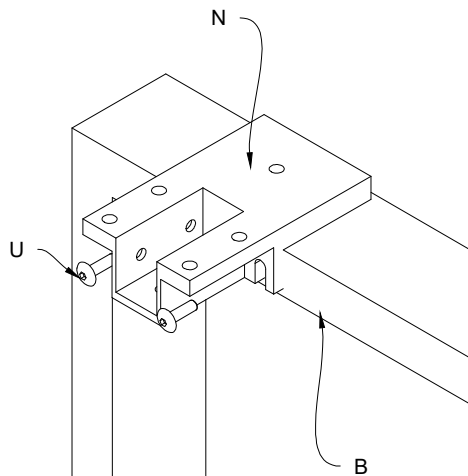


Fig.2 Fissare i bulloni (T e V) nelle travi (C) tramite dado (S) e rondella (Q).
Fig.2 Fasten the bolts (T and V) in the crossbars (C) by means of the nut (S) and washer (Q).

4) Posizionare il piano (A) sulla struttura in corrispondenza dei fori.
4) Position the top (A) on the structure in function of the holes.

Fig.1 Fissare il piano (A) con i bulloni (Z e U) attraverso i distanziali (N).
Fig.1 Fasten the top (A) with the bolts (Z and U) by means of the spacers (N).

